

Model : ATZ HDMI-V2-12

Description : 2 ports HDMI Splitter V2.0, 4K@60Hz, 18Gbs



1x2 HDMI 18Gbps Splitter is an advanced solution for splitting a HDMI content to 2 HDMI outputs synchronously. It provides high performance audio and video up to 4K2K@60Hz (4:4:4) and is capable of receiving, retiming and transmitting up to 18Gbps of bandwidth with no data loss.

Features:

- HDMI 2.0b, HDCP 2.2 compliant
- Up to 4K2K@60Hz with 24bit RGB/YCBCR 4:4:4
- VESA format up to QSXGA@60Hz
- Supports LPCM 7.1CH, Dolby TrueHD, and DTS-HD Master Audio
- Built-in equalizer, retiming and driver
- Smart EDID, STD(1080p) mode and TV(copy OUT1) mode
- Compact design for an easy and flexible installation

Model : ATZ HDMI-V2-12

Description : 2 ports HDMI Splitter V2.0, 4K@60Hz, 18Gbs

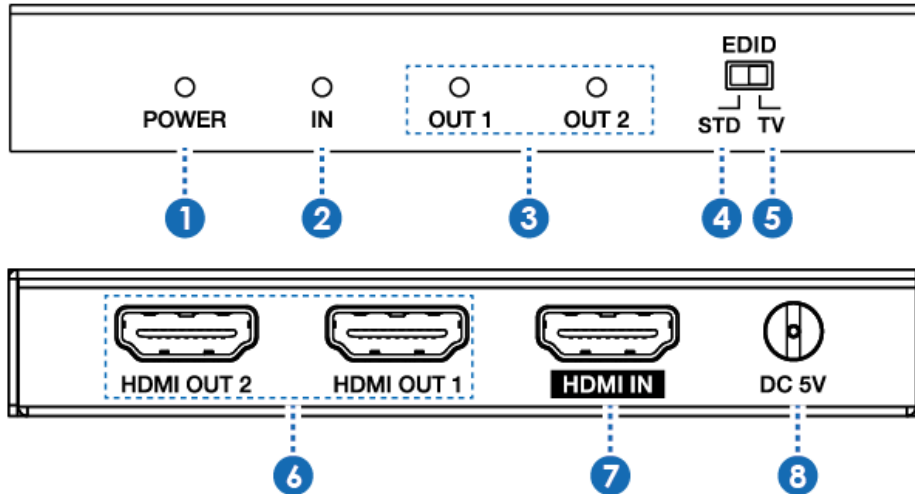
Specifications:

Technical	
Video Bandwidth	600MHz/18Gbps
Input Ports	1×HDMI Type A[19-pin female]
Output Ports	2×HDMI Type A[19-pin female]
Video Resolutions	480i ~1080p50/60, 4Kx2K@24/30, 4k2k@60Hz
ESD Protection	Human body model — ±8kV (air-gap discharge) & ±4kV (contact discharge)
Mechanical	
Housing	Metal Enclosure
Color	Black
Dimensions	56mm (W) × 100mm (D) × 16mm (H)
Weight	165g
Power Supply	Input: AC100 - 240V 50/60Hz Output: DC 5V/1A (US/EU standards, CE/FCC/UL certified)
Power Consumption	2W (Max)
Operation Temperature	32 - 104°F / 0 - 40°C
Storage temperature	-4 - 140°F / -20 - 60°C
Relative Humidity	20 - 90% RH (no condensation)

Model : ATZ HDMI-V2-12

Description : 2 ports HDMI Splitter V2.0, 4K@60Hz, 18Gbs

Operation Controls and Functions:



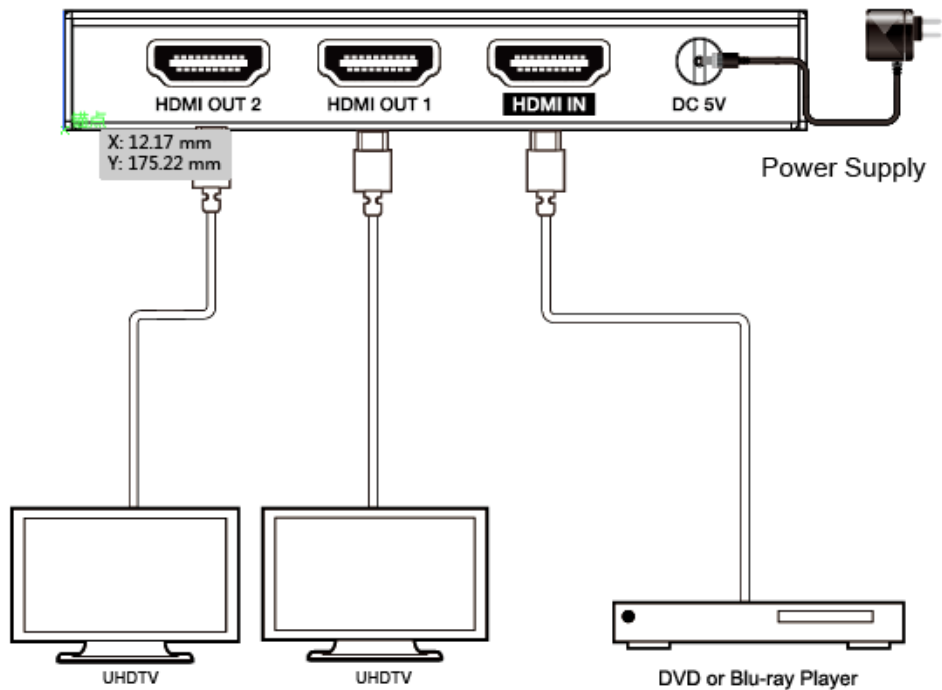
Number	Name	Function description
1	POWER LED	This blue LED illuminate when the device is connected with power supply.
2	IN LED	This blue LED illuminate when the Source connected to the device.
3	OUT LED	These blue LEDs will light up to indicate which HDMI outputs are connected to an active TV/ display/monitor.
4	EDID STD	When in 'STD' mode, the unit will use its own built-in EDID settings. In this mode, the video output will be set to 1080p@60Hz and the audio output at LPCM 2CH Stereo.
5	EDID TV	When in 'TV' mode, the unit will read the EDID settings of the display device connected to HDMI OUT 1.
6	HDMI OUT 1~2	Connect each of the HDMI outputs to an HDMI display for simultaneous HDMI distribution, or cascade the output to another transmitter to extend the operating distance.
7	HDMI IN	Connect the input port to the HDMI output of your

Model : ATZ HDMI-V2-12

Description : 2 ports HDMI Splitter V2.0, 4K@60Hz, 18Gbs

		source device such as a DVD player or set-top box with an HDMI cable.output of your source device such as a DVD player or set-top box with an HDMI cable.
8	DC 5V	Plug the 5V DC power supply into the unit and connected the adapter to an AC outlet.

Product Diagram:



Model : ATZ HDMI-V2-12

Description : 2 ports HDMI Splitter V2.0, 4K@60Hz, 18Gbs

Package contents:

1× 2 ports HDMI 18Gbps Splitter

1× 5V/1A Power Adapter

1× User Manual

Warranty: 2 Years

Warranty is effective from the date of original delivery.

This warranty shall be void if a serial number has been removed from the product.