

**Model** : ATZ USB3ABxM (x=Length: 1/2/3/5)

**Description:** USB 3.0 A-Male to B-Male Printer/Scanner Cable w/Ferrite Core(1M/2M/3M/5M)



## Features:

- Leverages USB 3.0 SuperSpeed technology to increase transfer rates up to 5Gbps, 10 x faster than existing USB 2.0 technology.
  - Type A connector (male) to Type B connector (male) is commonly used for connecting a device such as a printers/Scanners to a computer USB 3.0 port. USB 3.0 cables are up to 10 times faster than USB 2.0 - 4.8 Gbps versus 480 Mbps. The increased bandwidth substantially reduces the time required for transferring large amounts of data or video.
  - Gold - plated copper contacts minimize data loss
  - Foiled and braided shield complies with fully rated cable specifications
- Impedance matches twisted pair construction helps to minimize cross talk, super high-speed, error-free transmission
- Compliant with USB 2.0&1.1
  - Data transfer with power

pg. 1

**Notes:** - All brand names and trademarks are properties of their respective holders and are referred to here for descriptive purpose only. Photo attached is for reference only, it may be slightly varied in items of colour, shape from the actual item delivered from time to time.

All specifications are subject to change without prior notice.

© Copyright ATZ

**Model** : ATZ USB3ABxM (x=Length: 1/2/3/5)

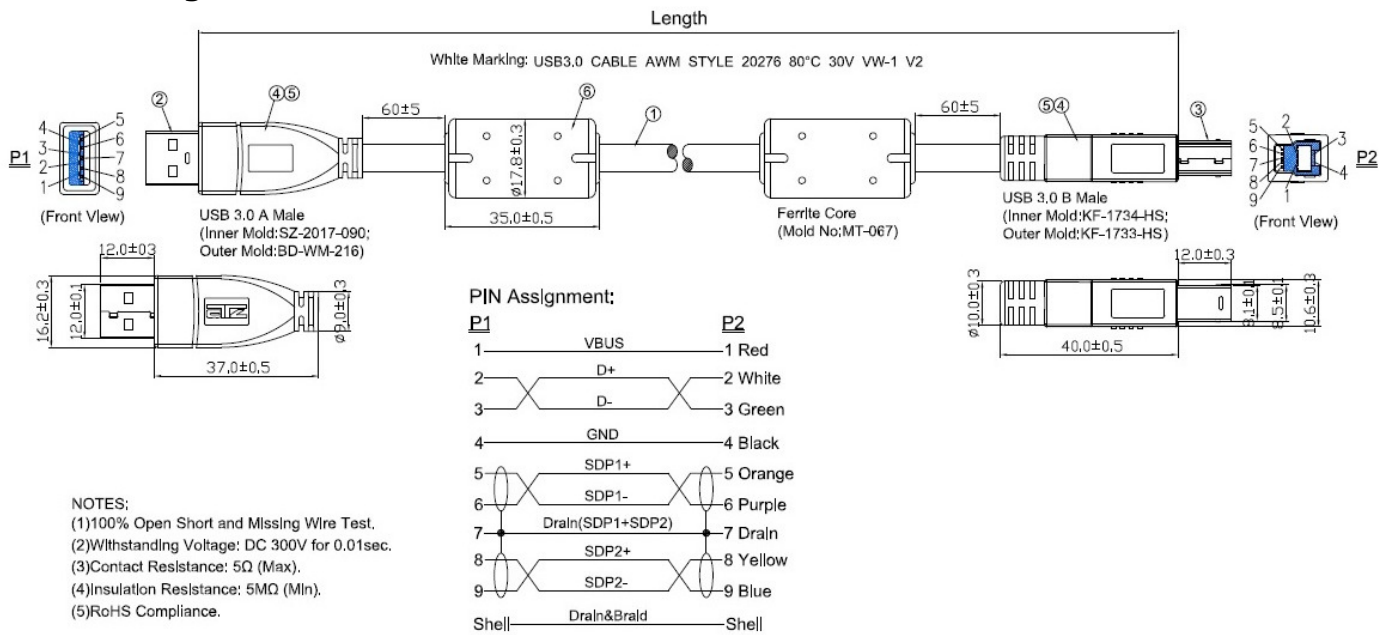
**Description:** USB 3.0 A-Male to B-Male Printer/Scanner Cable w/Ferrite Core(1M/2M/3M/5M)

- USB VER3.0 UL20276 28/28/28
- OD: 6.0
- Connector: Type A-Male to Type B-Male
- Length: 2M/3M
- Cable SPEC: UL20276(28AWG\*1P+24AWG\*2C)+(28AWG\*1P+AL+MYLAR)
- COLOR: BLUE

**Package Includes:**

1 x USB3.0 Type-A to Type-B Cable

**Product Diagram:**



**Warranty: 3 Years**

Warranty time is from the date of original delivery.

This warranty shall be void if a serial number has been removed from the product.