

Model : ATZ USB3AMAFxM (x =Length:1/2/3/5)

Description: USB 3.0 A-Male to A-Female Cable w/Ferrite Core (1M/2M/3M/5M)



Features:

- Leverages USB 3.0 SuperSpeed technology to increase transfer rates up to 5Gbps, 10 times faster than existing USB 2.0 technology.
 - Extend the reach of your USB 3.0 devices with our USB 3.0 compliant USB extension cables. USB 3.0 cables are up to 10 times faster than USB 2.0 - 4.8 Gbps versus 480 Mbps. The increased bandwidth substantially reduces the time required for transferring large amounts of data or video.
 - For connecting computer or Notebook to HD-DVD/Big mobiles memory
 - Gold - plated copper contacts minimize data loss
 - Foiled and braided shield complies with fully rated cable specifications
- Impedance matches twisted pair construction helps to minimize cross talk, super high-speed, error-free transmission
- Compliant with USB 2.0&1.1

pg. 1

Notes: - All brand names and trademarks are properties of their respective holders and are referred to here for descriptive purpose only. Photo attached is for reference only, it may be slightly varied in items of colour, shape from the actual item delivered from time to time.

All specifications are subject to change without prior notice.

© Copyright ATZ

Model : ATZ USB3AMAFxM (x = Length: 1/2/3/5)

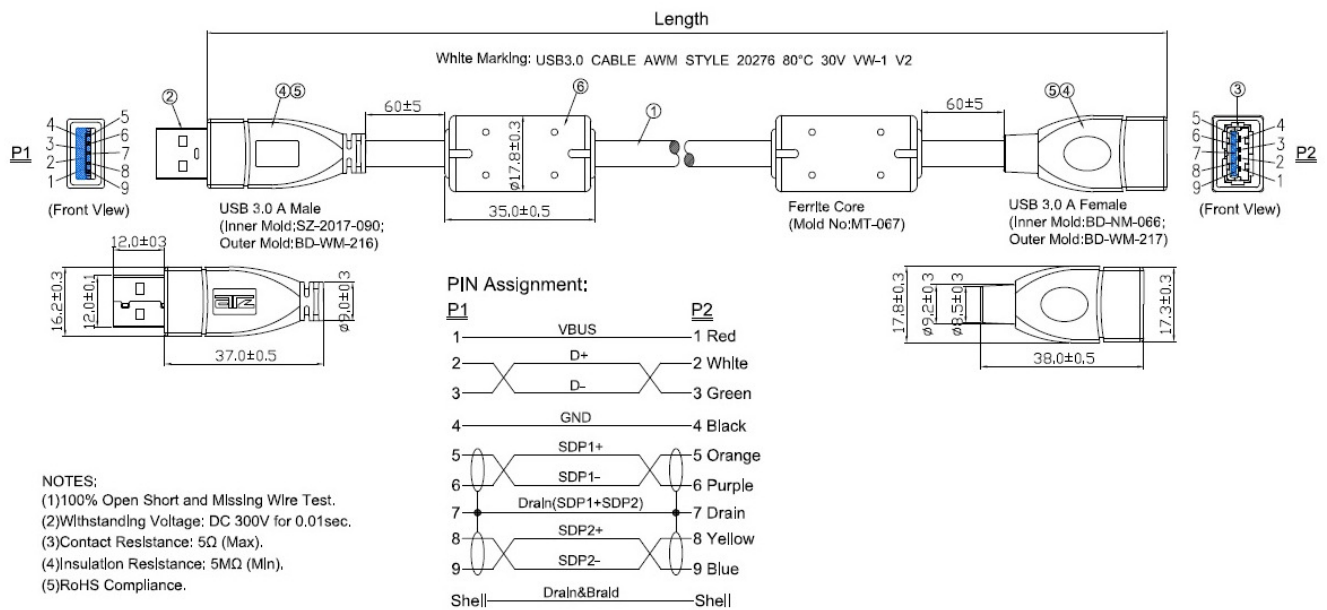
Description: USB 3.0 A-Male to A-Female Cable w/Ferrite Core (1M/2M/3M/5M)

- Data transfer with power
- USB VER3.0 UL20276 28/28/28
- OD: 6.0
- Connector: Type A-Male to Type A-Female
- Length: 1M/2M/3M/5M
- Cable SPEC: UL20276(28AWG*1P+24AWG*2C)+(28AWG*1P+AL+MYLAR)
- COLOR: BLUE

Package Includes:

1 x USB3.0 Type-A Male to Female Cable

Product Diagram:



Warranty: 3 Years

Warranty time is from the date of original delivery.

This warranty shall be void if a serial number has been removed from the product.