

**Model** : ATZ USBABxM (x=Length: 1/2/3/5)

**Description:** USB 2.0 A-Male to B-Male Printer/ Scanner Cable w/Ferrite Core(1M/2M/3M/5M)



### Features:

- 100% compatible with all USB peripherals
- Simple hot-pluggable plug and play connections
- Supports data transfer rates of up to 480 Mbps & 100% backward compatible with USB 1.1 devices
- High quality USB cable with heavy duty ends and cable, with Ferrite Core.
- Works on all USB CD-Writers, Scanners, printers, palmtops, laptop, netbooks, notebook and Desktop Computers

**Model** : ATZ USBABxM (x=Length: 1/2/3/5)

**Description:** USB 2.0 A-Male to B-Male Printer/ Scanner Cable w/Ferrite Core(1M/2M/3M/5M)

---

- Fully shielded for protection against EMI and RFI
- Fully molded strain reliefs and connector ends for durability and long life cycle
- Plated contacts provide reliability through repeated mating cycles
- Applications: PC, Mac, cameras, scanners, storage devices, printers, and other devices
- Supports plug & play connections for devices such as external hard drives, modems, printers, scanners, VOIP devices & other USB peripherals.
- Double-shielded, mylar-foil wrapped cable with PVC jacket ensures maximum data speed and no data loss
- Connector: USB Type A Male to Type B Male
- Length: 1M/2M/3M/5M
- RoHS Compliant
- USB 2.0 Hi-Speed USB certified
- UL listed

---

**Specifications:** NA

---

**Package Includes:**

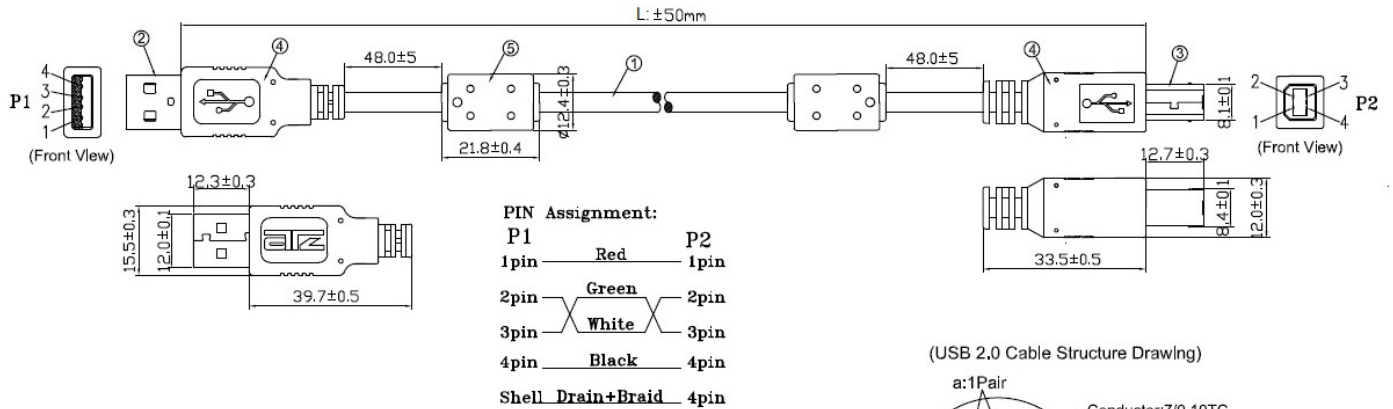
1 x USB2.0 Type-A to USB Type-B cable

**Model** : ATZ USBABxM (x=Length: 1/2/3/5)

**Description:** USB 2.0 A-Male to B-Male Printer/ Scanner Cable w/Ferrite Core(1M/2M/3M/5M)

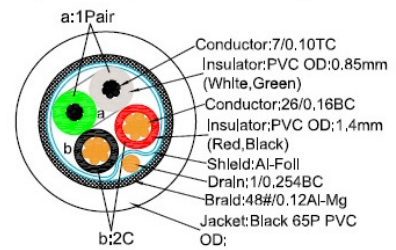


### Product Diagram:



**NOTE:**  
(1)100% open short &miss wire test.  
(2)Insulation Resistance: DC 300V 5M Ω .  
(3)Contact Resistance: 5 Ω .  
(4)The product is RoHS compliant.

(USB 2.0 Cable Structure Drawing)



### Warranty: 3 Years

Warranty time is from the date of original delivery.

This warranty shall be void if a serial number has been removed from the product.