

Model : ATZ USBAMAFxM (x=Length:1/2/3/5)

Description: USB 2.0 A-Male to A-Female Cable w/Ferrite Core
(Length: 1M/2M/3M/5M)



Model : ATZ USBAMAFxM (x=Length:1/2/3/5)
Description: USB 2.0 A-Male to A-Female Cable w/Ferrite Core
(Length: 1M/2M/3M/5M)



Features:

- 100% compatible with all USB peripherals.
- Simple hot-pluggable plug and play connections.
- Supports data transfer rates of up to 480 Mbps & 100% backward compatible with USB 1.1 device.
- High quality USB cable with heavy duty ends and cable, with Ferrite Core.
- Extends your USB connection to your computer to use with printers, cameras, mice, keyboards and other USB computer peripherals.
- This USB Extension cables create an easily assessable USB port for most of your small USB Devices such as Flash Memory Pen Drives, Digital Cameras, PDAs and cell phones, GPS, Memory Card readers, mp3 players etc.
- Fully shielded for protection against EMI and RFI.
- Fully molded strain reliefs and connector ends for durability and long life cycle.
- Plated contacts provide reliability through repeated mating cycles.
- Double-shielded, mylar-foil wrapped cable with PVC jacket ensures maximum data speed and no data loss.
- Connector: USB Type A Male to Type A Female.

pg. 2

Notes: - All brand names and trademarks are properties of their respective holders and are referred to here for descriptive purpose only. Photo attached is for reference only, it may be slightly varied in items of color, shape from the actual item delivered from time to time.

All specifications are subject to change without prior notice.

© Copyright ATZ

Model : ATZ USBAMAFxM (x=Length:1/2/3/5)
Description: USB 2.0 A-Male to A-Female Cable w/Ferrite Core
 (Length: 1M/2M/3M/5M)

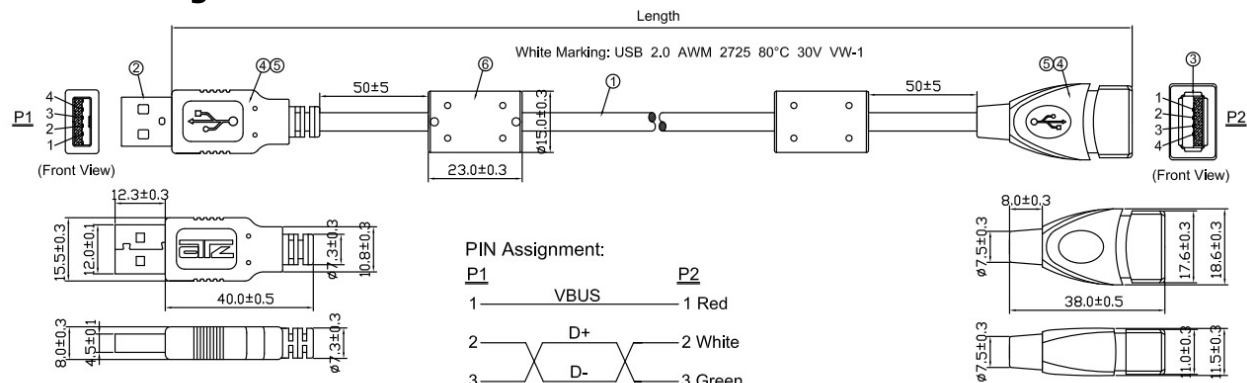
- Length: 1M/2M/3M/5M/
- RoHS Compliant.
- USB 2.0 Hi-Speed USB certified
- UL listed

Specifications: NA

Package Includes:

1 x USB2.0 Type-A Male to Female Cable

Product Diagram:

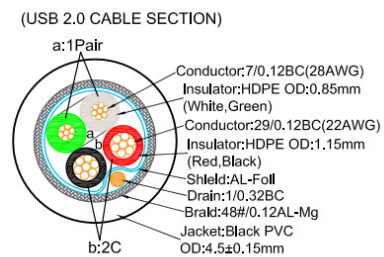


PIN Assignment:

P1		P2
1	VBUS	1 Red
2	D+	2 White
3	D-	3 Green
4	GND	4 Black
Shell	Drain&Braid	Shell

- NOTES:**
- (1)100% Open Short and Miss Wire Test.
 - (2)Withstanding voltage: DC 300V for 0.01sec.
 - (3)Contact Resistance: 5Ω (Max).
 - (4)Insulation Resistance: 5MΩ (Min).
 - (5)Compliance RoHS Standard.

⑥	Ferrite Core	Ferrite Core for 60P PVC Molding/Black	2pcs
⑤	Outer Mold	60P PVC Molding/Black	N/A
④	Inner Mold	LDPE Natural	N/A
③	USB 2.0 A Female	USB AF Solder Type(Pin for Gold;Shell for Nickel;White Insulation)	1pcs
②	USB 2.0 A Male	USB AM Solder Type(Pin for Gold;Shell for Nickel;White Insulation)	1pcs
①	Raw Cable	28*22AWG USB 2.0 Cable/Black PVC/OD:4.5±0.15mm [(7/0.12BC+HDPE OD:0.85mm)*1P(WH,GR)+(29/0.12BC +HDPE OD:1.15mm)*2C(RD,BK)+AL+1/0.32BC+48#0.12AL +Black PVC OD:4.5mm]	Table A



Warranty: 3 Years

Warranty time is from the date of original delivery.

This warranty shall be void if a serial number has been removed from the product.

pg. 3
 Notes: - All brand names and trademarks are properties of their respective holders and are referred to here for descriptive purpose only. Photo attached is for reference only, it may be slightly varied in items of color, shape from the actual item delivered from time to time.