

Model : ATZ VS44R

Description: 4 X 4 MATRIX VGA SWITCH + IR



The VGA matrix switch is specifically used to switch and distribute VGA signals. It can switch multiple signals from the input channel to any output channels, which are independent of each other. VGA matrix switching is used mainly in multimedia engineering, conference hall, large scale display, teaching, command and control center, and other High-Definition solutions. This device produces high fidelity, stable and reliable transmission signals over over long distances. It has power-off field protection function, remembering last working state before the device shut down, embedded with intelligent control and management software, RS232 communication interface, which can be connected with all computer and remote control systems or devices, (such as Crestron, AMX etc.) in RS232 communication protocol, conveniently easy for users to develop software controls according to the project requirement

Features:

- Support 4-in-4-out VGA signal
- Support highest resolution of 2048*1536@60Hz
- long-distance transmission signal with corresponding true gain functions. The longer the transmission cable distance, the higher will be the gain.
- Scenes mode: up to 4 groups of scenes can be saved (remote operation can achieve 9 groups of scenes)
- Multiple switching function: can be used either as a 4 ways splitter / switcher, or random display of signal transmissions from different inputs independently.
- Memory protection: which automatically remembers last saved commands before shutdown.
- Switching mode: Panel selection button / Remote control / RS232 control

Model : ATZ VS44R

Description: 4 X 4 MATRIX VGA SWITCH + IR

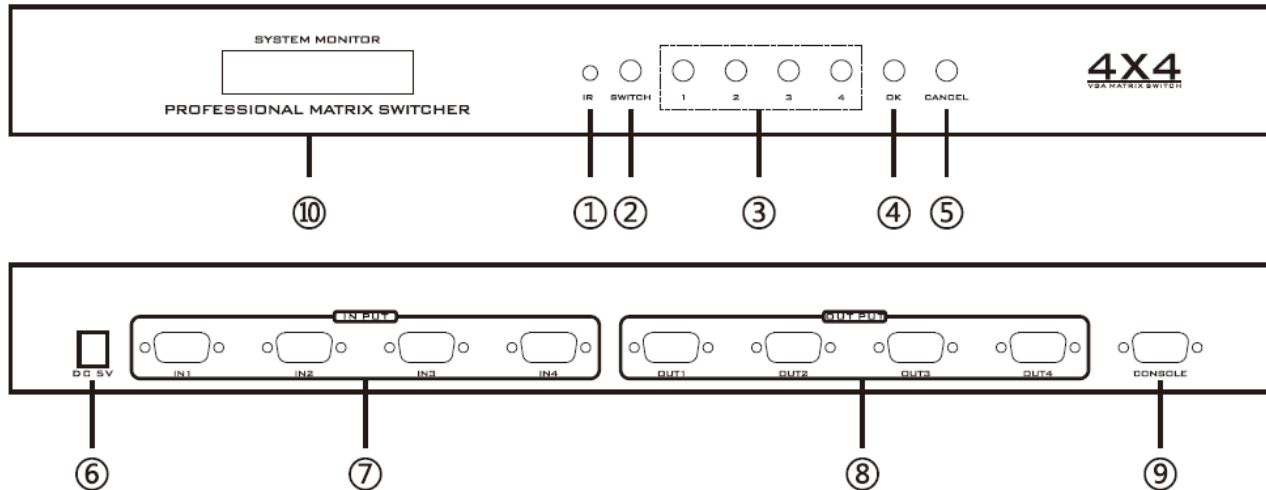
Specifications:

Support signal type	HV, S, RGsB, RsGsBs, HDTV
Video bandwidth	450MHz
Switching time	Up to 200ms
Video resolution	2048*1536
Return loss	-30dB, 5MHz
Video input and output interface	Standard VGA connector
Video signal level	Minimum 0.5Vp-p/ max 2.0 Vp-p
Video input and output impedance	75Ω
Video signal level	HV, TTL level
Synchronous signal input and output impedance	into 600Ω, out 75Ω
Rs232 setting	9-pin D-head
Rs232 interface	9600, 8-bit, 1-stop bit, no parity
Mean time between failures	290000 hours
Power	<20W
Power supply	DC5V
Temperature	storage, use temperature -20 ° C ~ 50 ° C
Humidity	15% to 85%
Installation	can be installed in a standard cabinet

Model : ATZ VS44R

Description: 4 X 4 MATRIX VGA SWITCH + IR

Panel Description:



1. Infrared Indicator
2. Signal switching function
3. Number keys
4. Confirmation button
5. Return / Cancel
6. Power input
7. Input ports
8. Output ports
9. RS232 control port

Model : ATZ VS44R

Description: 4 X 4 MATRIX VGA SWITCH + IR

RS232 Communication Interface connection definition

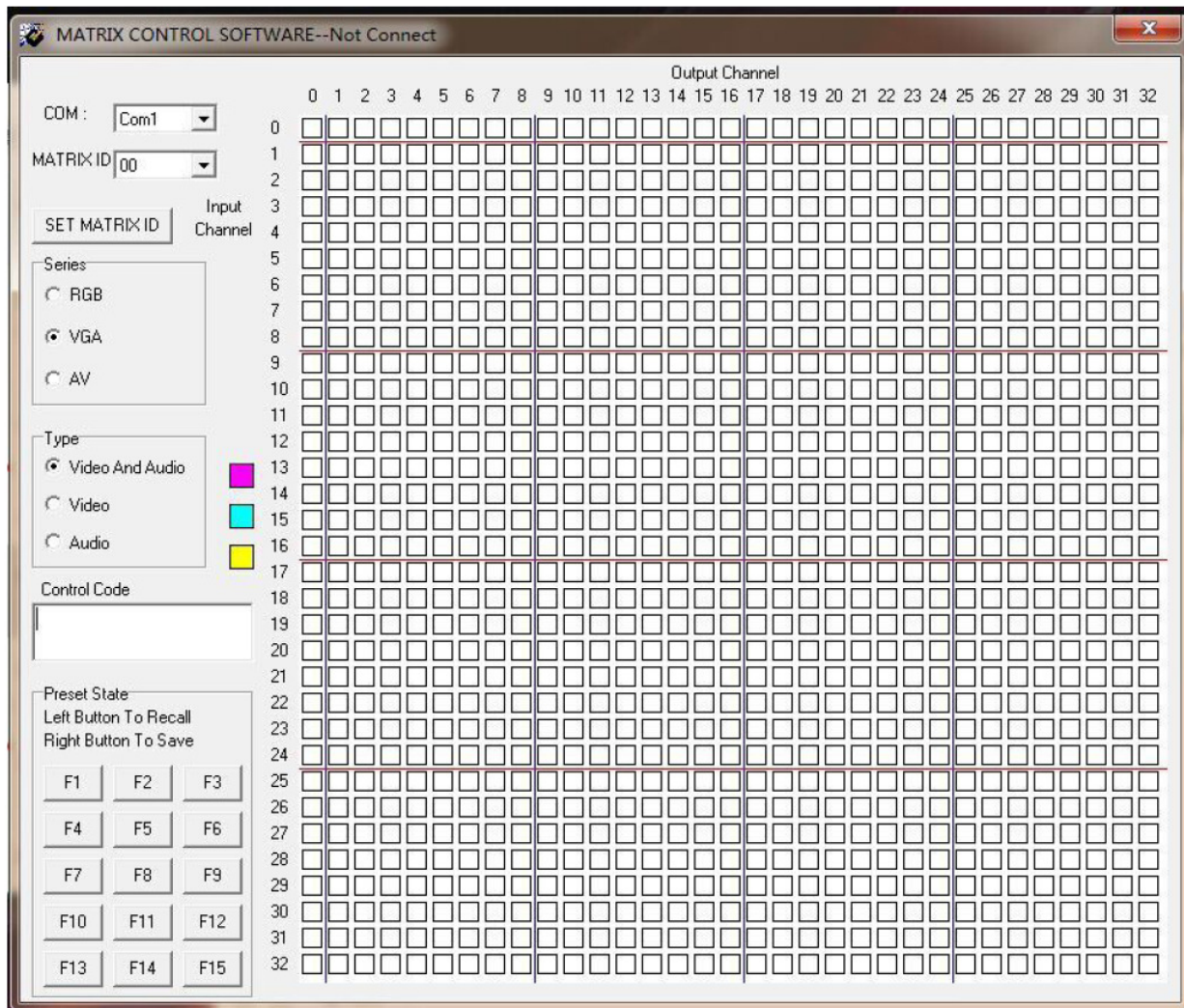
The matrix switcher provides a standard RS232 serial port for remote control using a variety of remote control devices. The RS232 port of the matrix switch is connected to the serial port of the computer using a straight through line

PIN No	Pin	Description
1	NC	N/A
2	TXD	Signal transmitting end, the transmitting end of the matrix switch control signal (TXD)
3	RXD	Signal receiving end, receiving end of matrix switch control signal (RXD)
4	NC	N/A
5	GND	Ground wire
6	NC	N/A
7	NC	N/A
8	NC	N/A
9	NC	N/A

Model : ATZ VS44R
Description: 4 X 4 MATRIX VGA SWITCH + IR

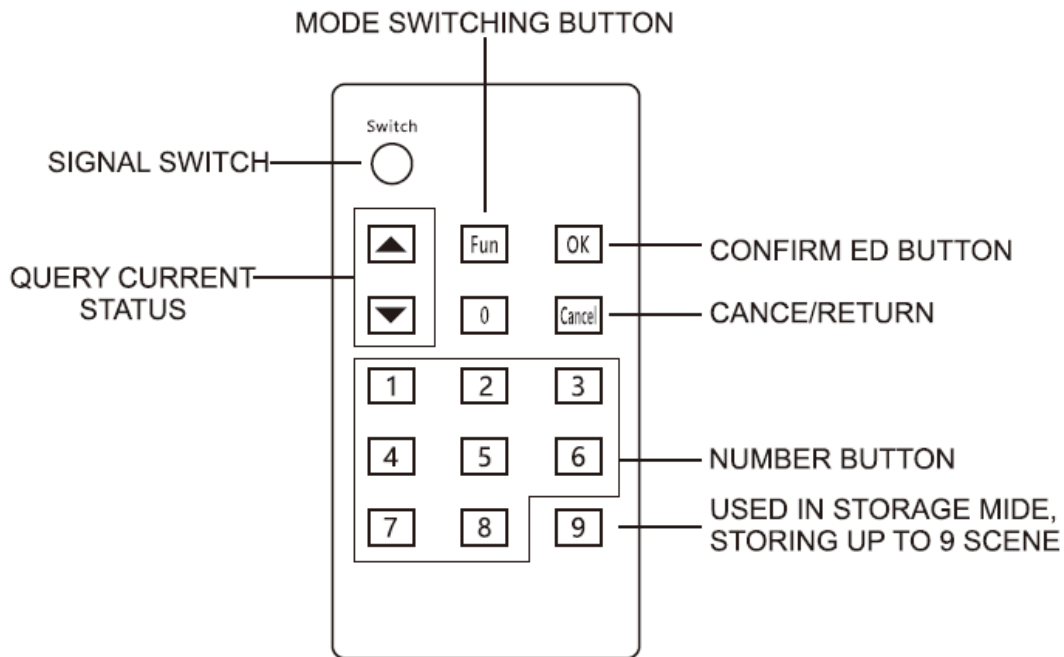
Serial port software control use

Note: After the serial cable is connected to the matrix switch computer, you need to install the software on the CD that comes with the product. After installation, open the software, as shown on the figure:



Model : ATZ VS44R
Description: 4 X 4 MATRIX VGA SWITCH + IR

IR remote introduction



Note: "0" represents close, under the "Switch" function.

Package Includes:

- 1x Matrix Switcher
- 1x 5V power supply
- 1x RS232 communication line
- 1x User manual
- 1x Control software CD
- 1x Remote control

Warranty: 2 Years

Warranty is effective from the date of original delivery.

This warranty shall be void if a serial number has been removed from the product.