

Model : ATZ-Q5U-PD
Description : 5 port 80W type-C and QC3.0 charger

80W USB-C LAPTOP & QC 3.0 CHARGER



Model : ATZ-Q5U-PD
Description : 5 port 80W type-C and QC3.0 charger



Features:

1. Supply power for laptops, smart phones and tablet PCs.
2. Adopt Qualcomm Quick Charge 3.0 technology, offers fast and efficient charging technology.
3. Adapt USB PD2.0 technology, offers fast and efficient charging for USB-C devices.
4. Ultra slim and curved housing design, compact and portable.
5. Universal output voltage from 5V to 20V, automatic switching, just plug & go.
6. Innovation product, self-designing and produced with own patents.
7. Multiple safety protection: over current protection, over voltage protection, short circuit protection, over temperature protection.

Model : ATZ-Q5U-PD
Description : 5 port 80W type-C and QC3.0 charger

80W USB-C Laptop & QC3.0 Charger

- ✓ The **USB-C** port with **PD2.0** can charge for Macbook Pro 2016, Macbook 2015, HP, Dell, Lenovo, Google Chromebook, etc.
- ✓ All USB-A output support with **QC3.0** Technology, also can charge for different laptops



Model : ATZ-Q5U-PD

Description : 5 port 80W type-C and QC3.0 charger

Specifications:

Model: ATZ-Q5U-PD

Input: AC 100-240V 50/60Hz 1.8A

Output : DC 5-20V 3.5A(Max)

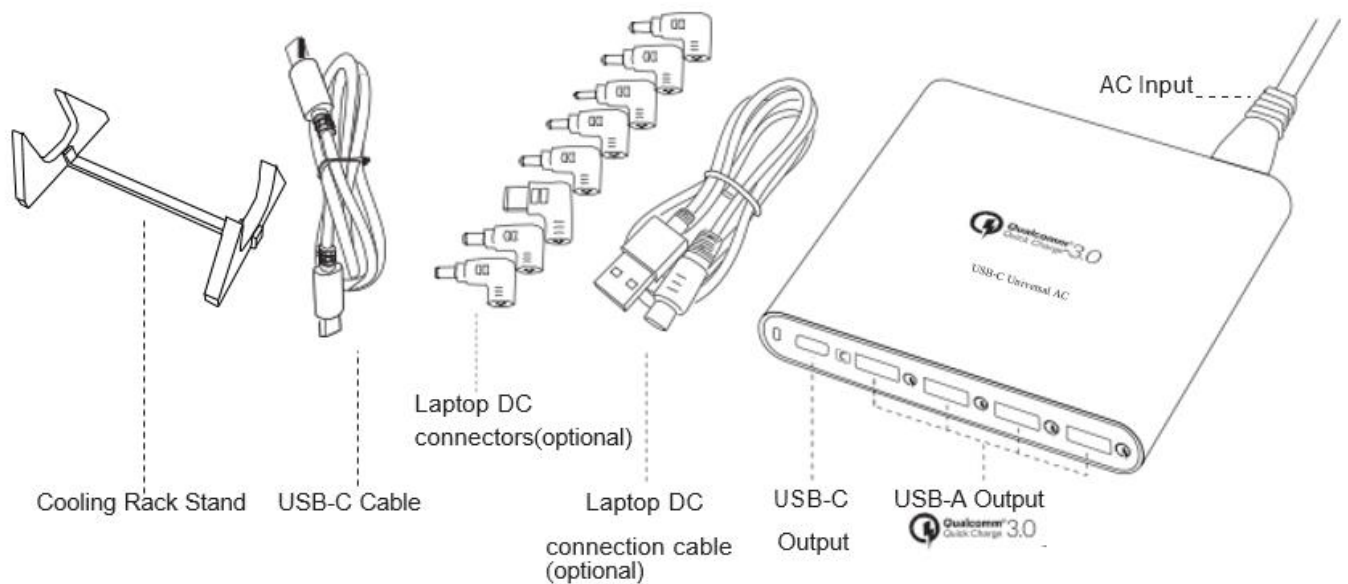
Power: 80W (Max)

Size: 110x98x20 mm

Weight: 238 g

Package Includes:

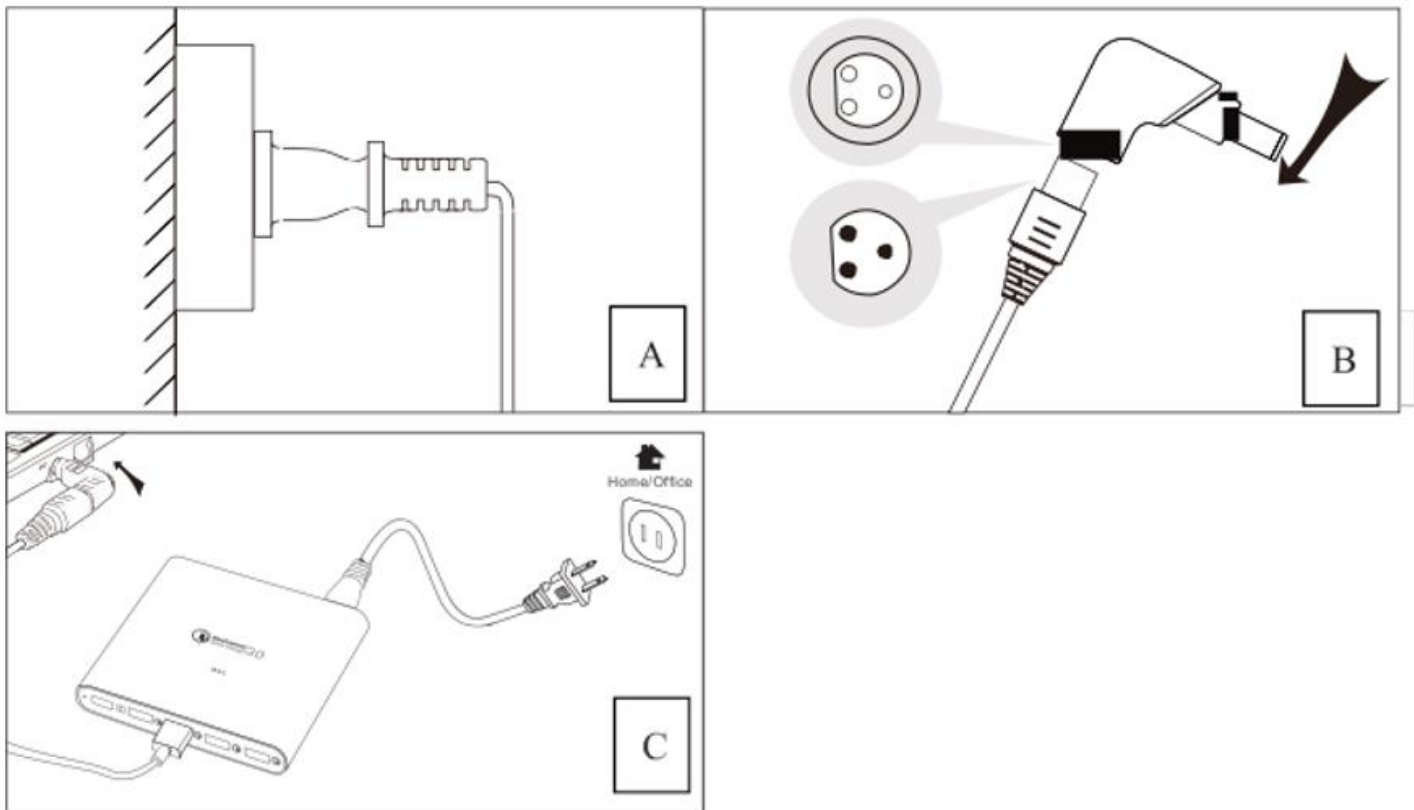
1. USB Charger
2. AC power cables
3. USB-C to USB-C charging cable
4. Laptop DC connection cable(optional)
5. Laptop DC connectors(optional)
6. Cooling Rack Stand
7. User manual



Model : ATZ-Q5U-PD
Description : 5 port 80W type-C and QC3.0 charger

Operation Instruction:

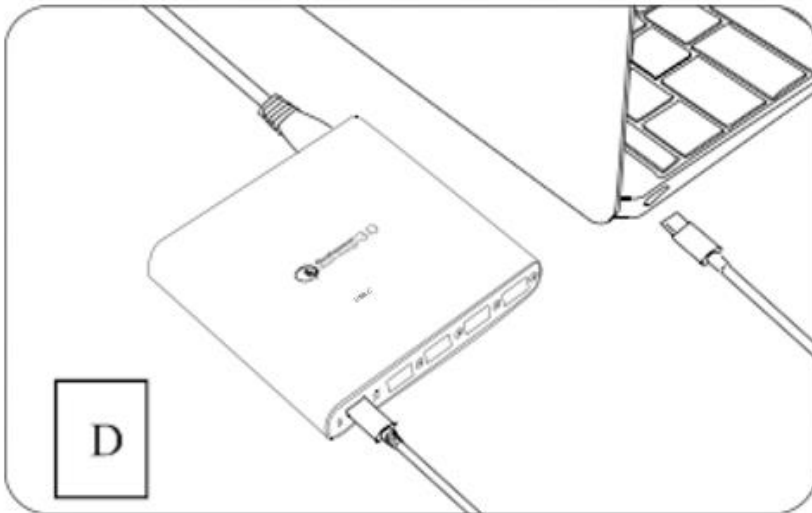
1. When you want to charge or supply power to laptop, connect the AC plug into the wall socket (picture A). Choose the right DC connector, such as N04, connect it, with the Laptop DC connection cable (picture B), insert the joint DC tip to the laptop then it can be used. (picture C)



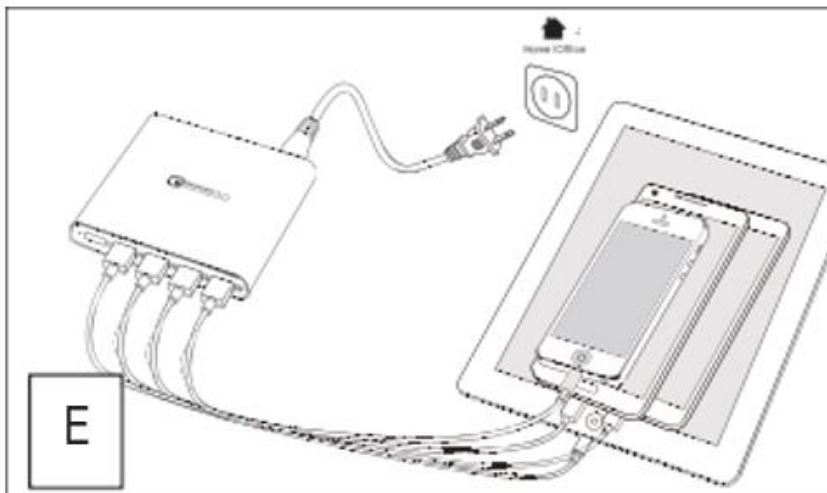
Model : ATZ-Q5U-PD
Description : 5 port 80W type-C and QC3.0 charger

Operation Instruction:

2. When you want to charge for your USB-C devices, connect the USB-C cable into the USB-C output port of adapter and insert the other end of the USB-C cable into the power port of your laptop computer. (as picture D)



3. When you want to charge for your USB devices, connect the USB cable to any of QC3.0 charging ports which offer fast and efficient charging technology for your smart phones and tablet PCs. (as picture E)



Notes:

- All brand names and trademarks are properties of their respective holders and are referred to here for descriptive purpose only.
- Photo attached is for reference only, it may be slightly varied in items of colour, shape from the actual item delivered from time to time.