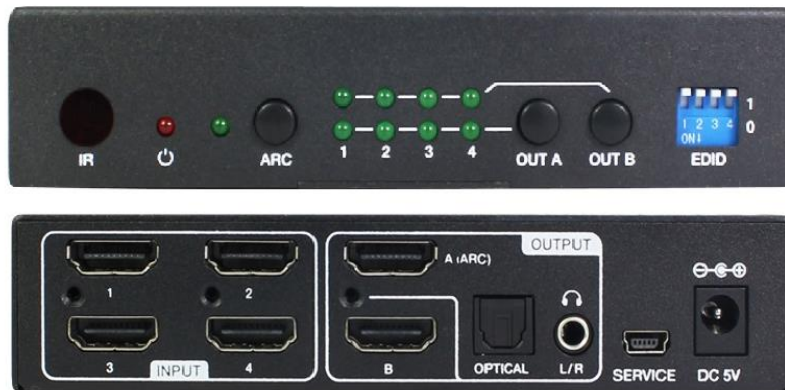


Model : ATZ HDMI-V2-42A

Description : 4X2 HDMI2.0 Matrix Switch 4K2K@60Hz 4:4:4, HDCP2.2+AUDIO



Model : ATZ HDMI-V2-42A

Description : 4X2 HDMI2.0 Matrix Switch 4K2K@60Hz 4:4:4,
HDCP2.2+AUDIO

The 4x2 HDMI 2.0 Matrix Switcher simultaneously routes four HDMI sources to two HDMI displays. It supports up to 4K2K@60Hz YCbCr 4:4:4 and HDCP 2.2. Output A supports audio de-embedding to optical and analog L/R outputs. Output B can support 4K to 1080P downscale function automatically if source is 4K but TV only supports up to 1080P. 16 different EDID configurations can meet most of use cases. Flexible control through on-panel buttons, IR control.

Features:

- ☆ HDMI2.0b, HDCP2.2/HDCP1.4 compliant.
- ☆ Up to 4K2K@60Hz (4:4:4) on all HDMI ports.
- ☆ Supports pass-through audio up to 7.1 channels of High Definition audio (LPCM, Dolby TrueHD, and DTS-HD Master Audio).
- ☆ Out A audio de-embedding to optical and analog L/R out.
- ☆ Out B supports 4K to 1080P downscale automatically.
- ☆ HDR, Smart EDID management.
- ☆ Control is via on-panel Button and IR.

Model : ATZ HDMI-V2-42A

Description : 4X2 HDMI2.0 Matrix Switch 4K2K@60Hz 4:4:4,
HDCP2.2+AUDIO

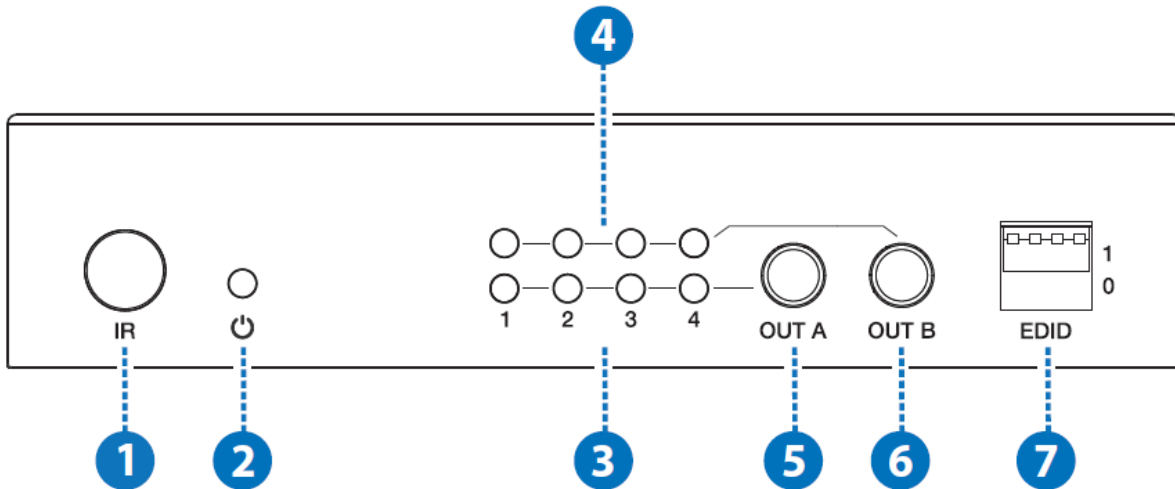
Specifications:

| Technical | |
|-----------------------|--|
| HDMI Compliance | HDMI 2.0b |
| HDCP Compliance | HDCP 2.2 and HDCP 1.4 |
| Video Bandwidth | 4K2K@50/60Hz(YUV4:4:4),4K2K@30Hz.All HDMI 3D TV format |
| Color Space | RGB, YCbCr4:4:4,YCbCr4:2:2 |
| Color Depth | 8-bit, 10-bit, 12-bit |
| HDMI Audio Formats | PCM2.0/5.1/7.1CH, Dolby 5.1, DTS5.1, Dolby-TrueHD, DTS-HD |
| Optical AudioFormats | LPCM 2CH, LPCM 5.1, Dolby Digital 2/5.1CH, DTS 2/5.1CH |
| L/R Audio Formats | Analog stereo 2CH |
| ESD Protection | Human-body Model: ±8kV (Air-gap discharge) , ±4kV (Contact discharge) |
| Connections | |
| Inputs | 4×HDMI Type A(19-pin female) 1×IR Receiver Window |
| Outputs | 2×HDMI Type A(19-pin female) 1×L/R Audio out (3.5mm Stereo Mini-jack) 1×Optical out (S/PDIF) |
| Mechanical | |
| Housing | Metal Enclosure |
| Color | Black |
| Dimensions | 130mm(W)×94.2mm(D)×28mm(H) |
| Weight | 363g |
| Power Supply | Input: AC100~240V 50/60Hz Output: DC5V/1A(US/EU standards , CE/FCC/UL certified) |
| Power Consumption | 3.2 W (max) |
| Operating Temperature | 0°C ~ 40°C / 32°F ~ 104°F |
| Storage Temperature | -20°C ~ 60°C / -4°F ~ 140°F |
| Relative Humidity | 20~90% RH (non-condensing) |

Model : ATZ HDMI-V2-42A

Description : 4X2 HDMI2.0 Matrix Switch 4K2K@60Hz 4:4:4, HDCP2.2+AUDIO

Front Panel:

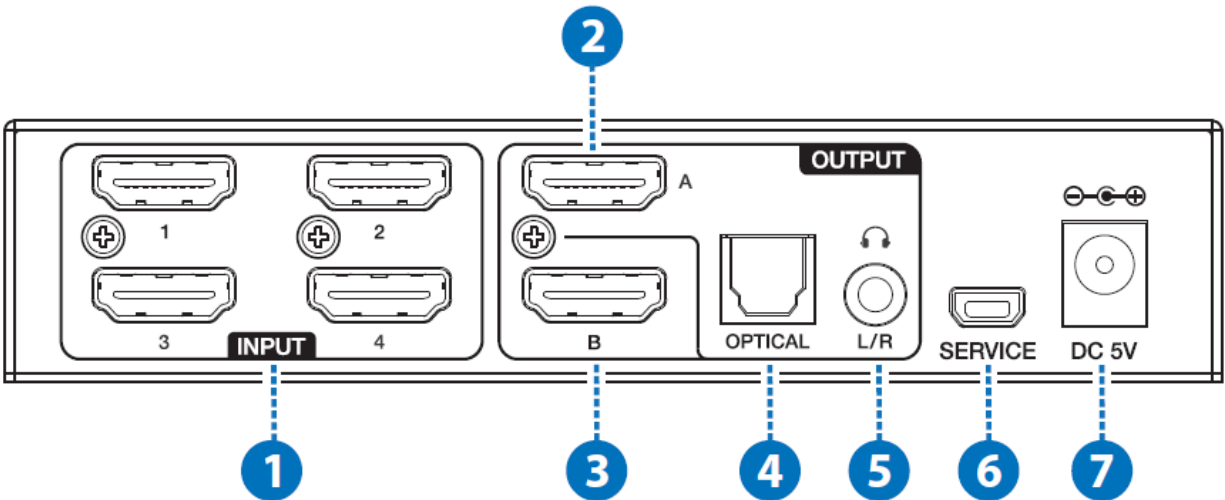


| Number | Name | Function description |
|--------|--------------|---|
| 1 | IR | IR receiver window |
| 2 | POWER LED | Power LED indicator |
| 3 | OUT A LED | Select the input channel indicator light for the output A |
| 4 | OUT B LED | Select the input channel indicator light for the output B |
| 5 | OUT A button | Select the input channel button for the output A |
| 6 | OUT B button | Select the input channel button for the output B |
| 7 | EDID | Select HDMI output signal format via EDID Selector |

Model : ATZ HDMI-V2-42A

Description : 4X2 HDMI2.0 Matrix Switch 4K2K@60Hz 4:4:4,
HDCP2.2+AUDIO

Rear Panel:



| Number | Name | Function description |
|--------|----------------|--|
| 1 | INPUT PORTS | Connect to HDMI sources device such as DVD player |
| 2 | OUTPUT A | Connect to HDMI display device such as TV or monitor |
| 3 | OUTPUT B | Connect to HDMI display device such as TV or monitor |
| 4 | OPTICAL OUTPUT | Extracts HDMI Output A audio to optical out |
| 5 | L/R OUTPUT | Extracts HDMI Output A audio to L/R analog audio out |
| 6 | SERVICE | System software update |
| 7 | DC 5V | DC 5V power supply interface |

Model : ATZ HDMI-V2-42A
Description : 4X2 HDMI2.0 Matrix Switch 4K2K@60Hz 4:4:4,
HDCP2.2+AUDIO



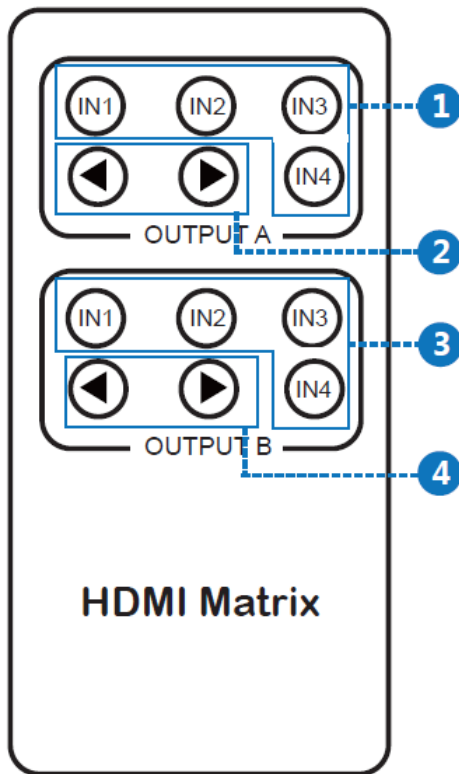
Notice: The following is the EDID schema table

| Number | EDID mode | EDID description |
|--------|-----------|----------------------------|
| 1 | 0000 | 720p, 2CH AUDIO |
| 2 | 0001 | 1080p, 2CH AUDIO |
| 3 | 0010 | 1080p, DOLBY/DTS 5.1 |
| 4 | 0011 | 1080p, HD AUDIO 7.1 |
| 5 | 0100 | 3D, 2CH AUDIO |
| 6 | 0101 | 3D, DOLBY/DTS 5.1 |
| 7 | 0110 | 3D, HD AUDIO 7.1 |
| 8 | 0111 | 4K30, 2CH AUDIO |
| 9 | 1000 | 4K30, DOLBY/DTS 5.1 |
| 10 | 1001 | 4K30, HD AUDIO 7.1 |
| 11 | 1010 | 4K60(4:2:0), 2CH AUDIO |
| 12 | 1011 | 4K60(4:2:0), DOLBY/DTS 5.1 |
| 13 | 1100 | 4K60(4:2:0), HD AUDIO 7.1 |
| 14 | 1101 | 4K60, 2CH AUDIO |
| 15 | 1110 | 4K60, DOLBY/DTS 5.1 |
| 16 | 1111 | 4K60, HD AUDIO 7.1 |

Model : ATZ HDMI-V2-42A

Description : 4X2 HDMI2.0 Matrix Switch 4K2K@60Hz 4:4:4,
HDCP2.2+AUDIO

Remote Control:



- ① Select the input channel for the output A.
- ② Select the last or next input channel for the output A.
- ③ Select the input channel for the output B.
- ④ Select the last or next input channel for the output B.

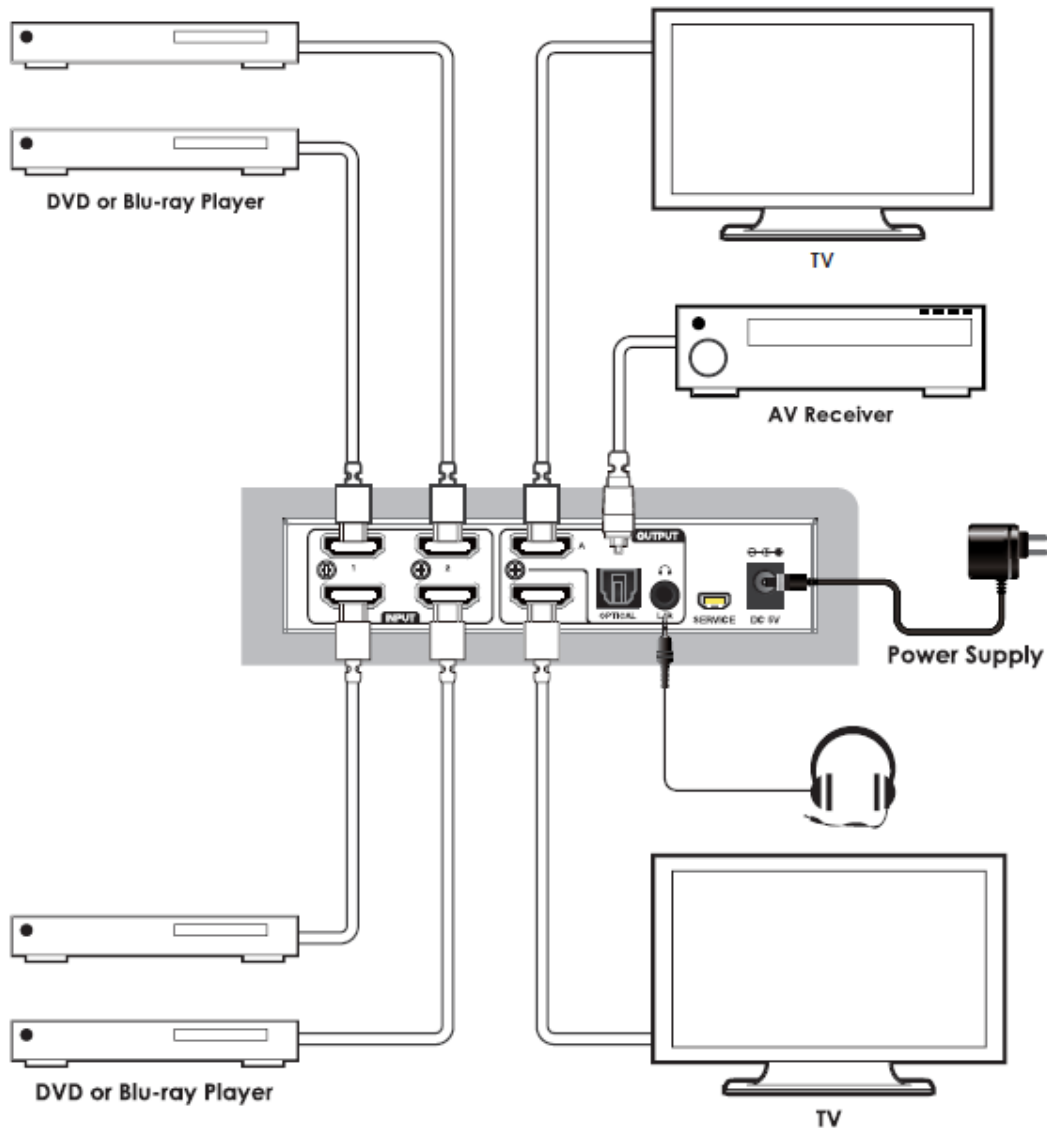
Package Includes:

- ① 1× 4×2 HDMI Matrix Switcher
- ② 1× 5V/1A Power Adaptor
- ③ 1× User Manual
- ④ 1× HDMI Matrix IR Remote
- ⑤ 2× Mounting ears

Model : ATZ HDMI-V2-42A

Description : 4X2 HDMI2.0 Matrix Switch 4K2K@60Hz 4:4:4, HDCP2.2+AUDIO

Product Diagram:



Warranty: 2 Years

Warranty is effective from the date of original delivery.

This warranty shall be void if a serial number has been removed from the product.