

Model : ATZ LK1701W-T3

Description : 17.3" FHD(1080p) Triple Monitor LCD console Drawer + multi-input
DVI, VGA, Audio, USB Hub.

- Optimize rack space. Maximize rack monitoring -



↑ (USB Port for device access)



pg. 1

Notes: - All brand names and trademarks are properties of their respective holders and are referred to here for descriptive purpose only. Photo attached is for reference only, it may be slightly varied in items of colour, shape from the actual item delivered from time to time.

All specifications are subject to change without prior notice.
© Copyright

Model : ATZ LK1701W-T3

Description : 17.3" FHD(1080p) Triple Monitor LCD console Drawer + multi-input
DVI, VGA, Audio, USB Hub.

- Optimize rack space. Maximize rack monitoring -

Features:

- 2U 17.3 inch widescreen Triple LCD Console Drawer
- Triple DVI & VGA Port
- 1920 x 1200 native WUXGA Ultra high resolution
- Support FHD with 1080p resolution.
- Front 1xUSB, Rear 2xUSB 2.0 Type A, Sharing USB peripheral Device for computer (ex, flash disk, hard driver, KB/Mouse)
- 104-key keyboard with touch pad mouse.
- USB 2.0 Keyboard & Mouse
- Self-locking and auto release rails for ultra convenience.
- Build in 2x 2 watts speakers

Optional:

- Composite Video input
- HDMI or Display Port input
- 3G / HD / SD –SDI Broadcast grade input
- 48V, 24V or 12V DC Power

Specifications:

Part No.		ATZ LK1701W-T3
No. of ports		1
KVM Connectors		3x DVI-D & 3x VGA / 1 x USB KB & Mouse
LCD	Size	TRIPLE 17.3 inch FULL HD display
	Backlight	LED
	Resolution	1920*1080 (support resolution up to 1920*1200)
	Max.color	262K
	Luminance	300 cd/m2
	View Angel (H/V)	140 / 120
	Contrast Ratio	650 : 1
Port Selection		N/A

pg. 2

Notes : - All brand names and trademarks are properties of their respective holders and are referred to here for descriptive purpose only. Photo attached is for reference only, it may be slightly varied in items of colour, shape from the actual item delivered from time to time.

All specifications are subject to change without prior notice.

© Copyright

Model : ATZ LK1701W-T3

Description : 17.3" FHD(1080p) Triple Monitor LCD console Drawer + multi-input DVI, VGA, Audio, USB Hub.

- Optimize rack space. Maximize rack monitoring -

USB HUB	Yes , Front x1 & Rear x 2 USB 2.0 Type A for USB Peripheral Device
Audio	1 x 3.5mm Audio jack
KB/Mouse Emulation	USB 2.0
Rack Depth (rack cabinet front rails to rear rails)	600mm to 1100mm
Power	100-240V AC 50/60Hz via IEC Type power cord
Environment	Operation temp: 0 to 50°C Storage temp: -20 to 60°C Humidity: 10% - 90%, non-condensing Shock: 10G acceleration (11ms duration) Vibration: 17 to 500Hz 1G PTP
Physical Dimensions (W x H x D) / Net Weights (KG)	443x84x 580mm / 18.5
Packing Dimensions (W x H x D) / Gross weights (KG)	735x235x590mm / 22.0
Accessory	
1x 1.8meter IEC Type Power Cord 3x 1.8meter DVI Cable 3x 1.8meter VGA Cable 1x 1.8meter USB Cable 1x 1.8meter Audio Cable	

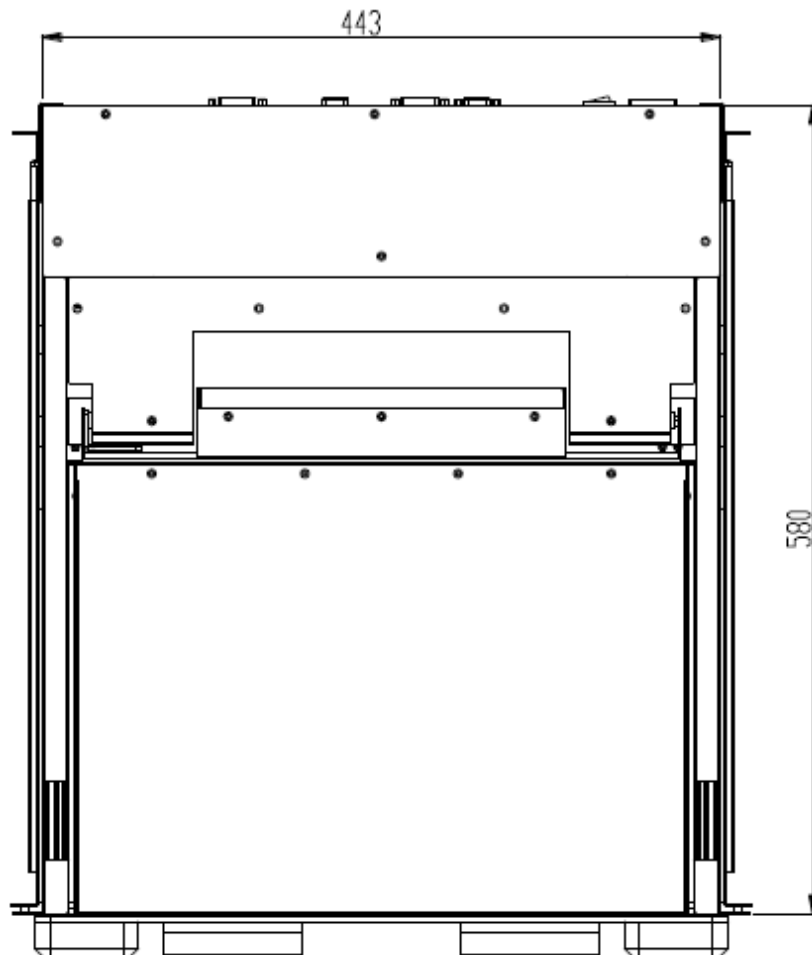
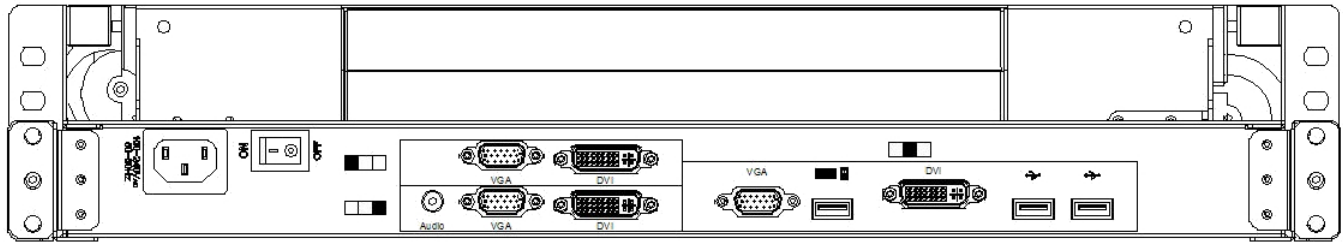
Model : ATZ LK1701W-T3

Description : 17.3" FHD(1080p) Triple Monitor LCD console Drawer + multi-input
DVI, VGA, Audio, USB Hub.

- Optimize rack space. Maximize rack monitoring -

Product Diagram:

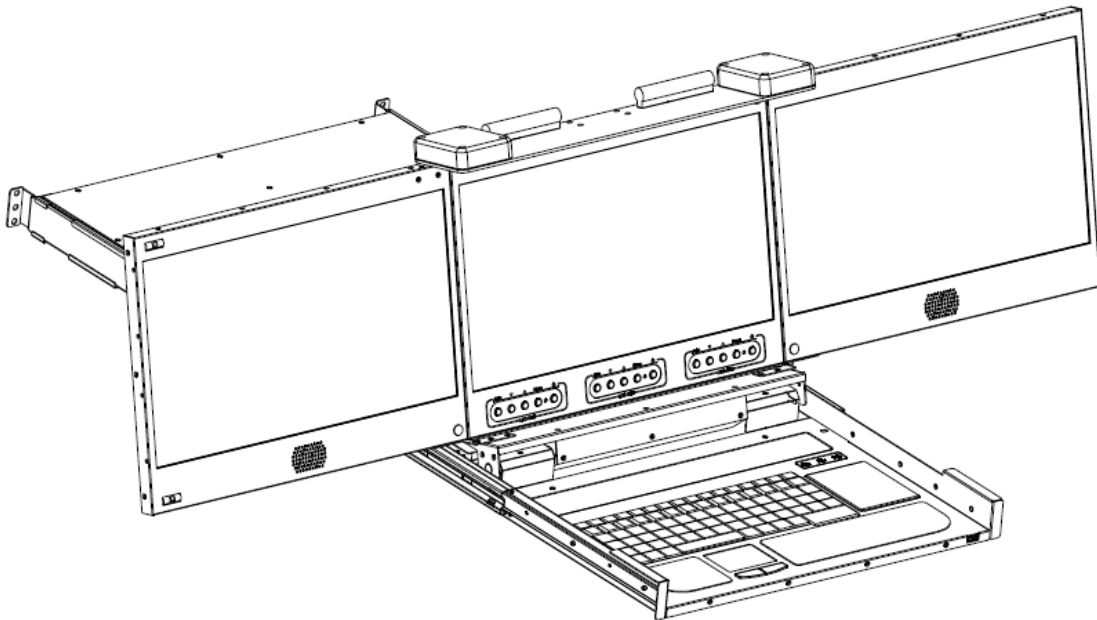
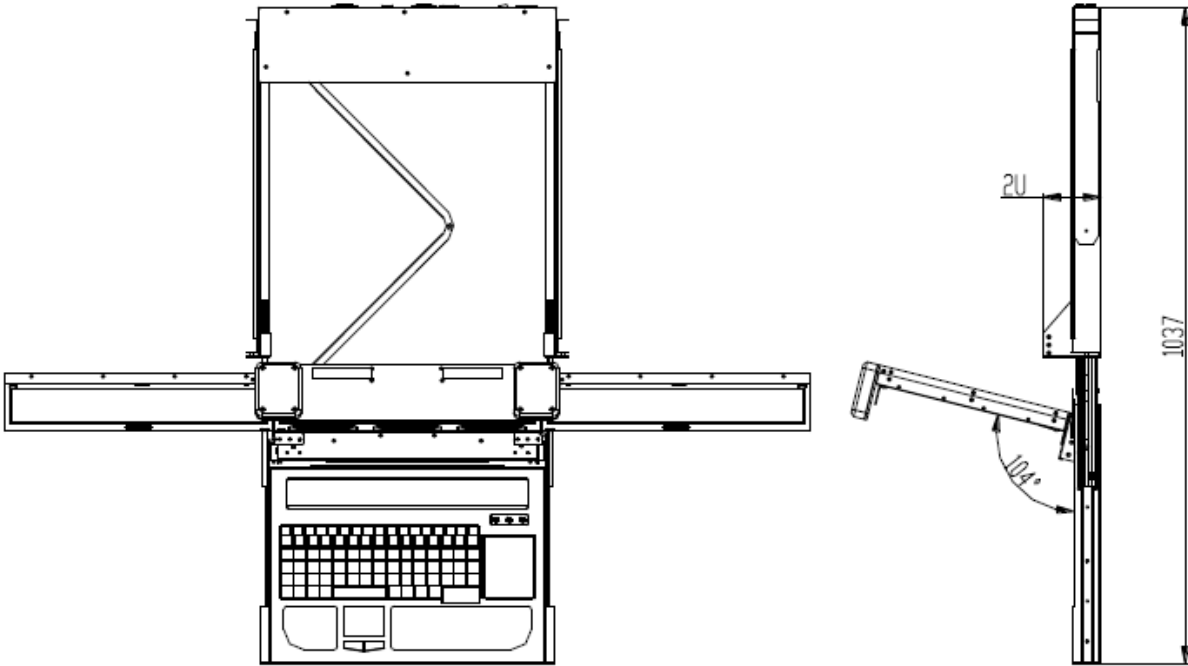
Rear of ATZ-LK1701W-T3



Model : ATZ LK1701W-T3

Description : 17.3" FHD(1080p) Triple Monitor LCD console Drawer + multi-input
DVI, VGA, Audio, USB Hub.

- Optimize rack space. Maximize rack monitoring -



pg. 5

Notes: - All brand names and trademarks are properties of their respective holders and are referred to here for descriptive purpose only. Photo attached is for reference only, it may be slightly varied in items of colour, shape from the actual item delivered from time to time.

All specifications are subject to change without prior notice.

© Copyright

Model : ATZ LK1701W-T3

Description : 17.3" FHD(1080p) Triple Monitor LCD console Drawer + multi-input
DVI, VGA, Audio, USB Hub.

- Optimize rack space. Maximize rack monitoring -

Warranty: 3 Years

Warranty is effective from the date of original delivery.

This warranty shall be void if a serial number has been removed from the product.