

Model : ATZ LK2101_2108_2116_2401_2408_2416W-PV
Description : 21.5"/ 23.5" FHD Combo LCD KVM Console Drawers
(Screen pivot version)
- Optimize rack space. Maximize rack monitoring -



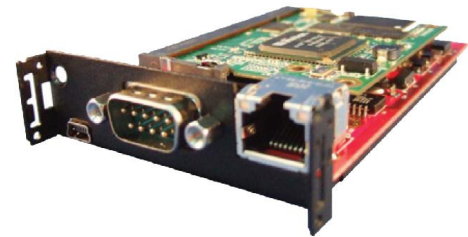
ATZ range of LCD console drawers provides a variety of features that simplify to access servers to making system monitoring, troubleshooting and software upgrades. The self-locking rails when in the fully extended open position and the ultra convenient auto lock release when the LCD panel is closed, make for simple and hassle free operation.

Configure with 21.5 or 23.8 inch A-Grade FHD LCD panels, combo DB15 single, 8 or 16 port integrated KVM switch & with an optional remote IP console.

Model : ATZ LK2101_2108_2116_2401_2408_2416W-PV
Description : 21.5"/ 23.5" FHD Combo LCD KVM Console Drawers
 (Screen pivot version)
 - Optimize rack space. Maximize rack monitoring -

Features:

- Facilitated by screen rotate function.
- Support combo interface, VGA-USB & VGA-PS/2.
- Durable 104-key keyboard and touch pad.
- Quick and simple installation.
- Self-locking and auto release rails for ultra convenience.
- Port selection via push buttons or On-Screen-Display (OSD).
- Dedicated daisy chain port to expand up to 240 servers.
- Access Control List (ACL) security function for up to 8 independent user accounts.



Optional Remote IP Access

- An expansion slot allows you to add an optional KVM over IP module to enable remote access to your servers.
- Gain BIOS level access to your servers for system maintenance, support or failure recovery via secure SSL authentication and encryption.

ATZ IP101

Specifications:

Part No.		ATZ LK2101W	ATZ LK2108W	ATZ LK2116W	ATZ LK2401W	ATZ LK2408W	ATZ LK2416W
Direct no. of Computers		1	8	16	1	8	16
Maximum no. of Computers		1	232(Daisy Chain)	240(Daisy chain)	1	232(Daisy Chain)	240(Daisy chain)
C D	Size	21.5"			23.8"		
	Backlight	LED			LED		

Model : ATZ LK2101_2108_2116_2401_2408_2416W-PV
Description : 21.5"/ 23.5" FHD Combo LCD KVM Console Drawers
 (Screen pivot version)
 - Optimize rack space. Maximize rack monitoring -

	Resolution	1920*1080 FULL HD (up to 1920*1200)		1920*1080 FULL HD (up to 1920*1200)	
	Max.color	16.7M		16.7M	
	Luminance	250cd/m2		250cd/m2	
	View Angel (H/V)	178 / 178		178 / 178	
	Contrast Ratio	3000 : 1		1000 : 1	
Port Selection	N/A	Push Button, OSD or Hotkey	N/A	Push Button, OSD or Hotkey	
Expansion Slot	N/A	Yes, option for Remote IP Access	N/A	Yes, option for Remote IP Access	
KB/Mouse Emulation	USB & PS2				
Rack Depth	600mm to 1300mm (rack cabinet front rails to rear rails)				
Power	100-240V AC 50/60Hz via IEC Type power cord				
Environment	Operation temp: 0 to 50°C Storage temp: -20 to 60°C Humidity: 10% - 90%, non-condensing Shock: 10G acceleration (11ms duration) Vibration: 17 to 500Hz 1G PTP				
Physical Dimensions / Net Weights	448 x 44 x 790mm (WxHxD) / 19.5KG				
Packing Dimensions / Gross weights	580 x 195 x 940mm (WxHxD) / 23KG				
Accessory					
1x 1.8meter IEC Type Power Cord 1x 1.8meter VGA & PS2 Cable 1x 1.8meter USB A Type Cable (for ATZ LK2101_2401W-PV)					
Related Items					
ATZ KCU-1.8	1.8meter 2-in-1 KVM Cable-USB & VGA				
ATZ KCU-3	3.0meter 2-in-1 KVM Cable-USB & VGA				
ATZ KCU-5	5.0meter 2-in-1 KVM Cable-USB & VGA				

Model : ATZ LK2101_2108_2116_2401_2408_2416W-PV
Description : 21.5"/ 23.5" FHD Combo LCD KVM Console Drawers
 (Screen pivot version)
 - Optimize rack space. Maximize rack monitoring -

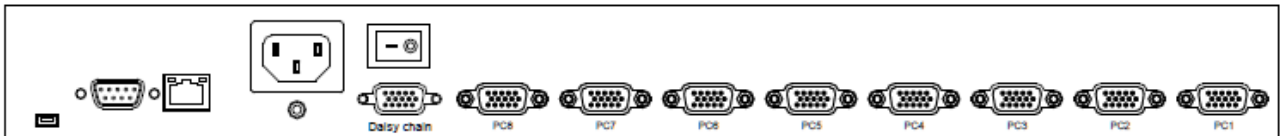
ATZ KCP-1.8	1.8meter 3-in-1 KVM Cable-PS/2 & VGA
ATZ KCP-3	3.0meter 3-in-1 KVM Cable-PS/2 & VGA
ATZ KCP-5	5.0meter 3-in-1 KVM Cable-PS/2 & VGA
ATZ IP-101	KVM over IP module for Remote Bios Level Access

Product Diagram:

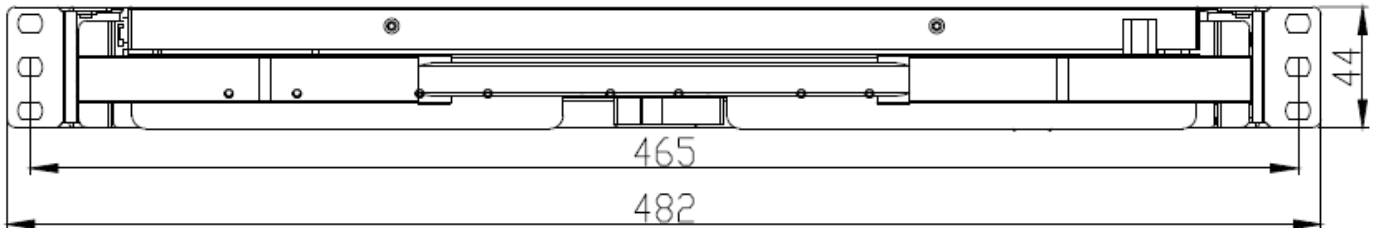
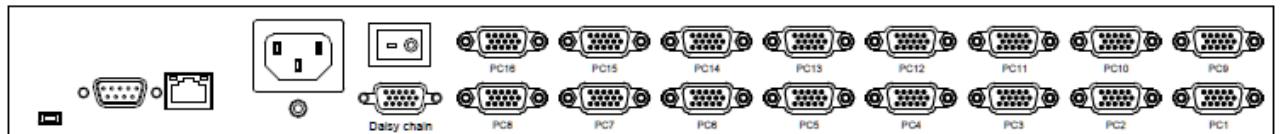
ATZ LK2101_2401W-PV



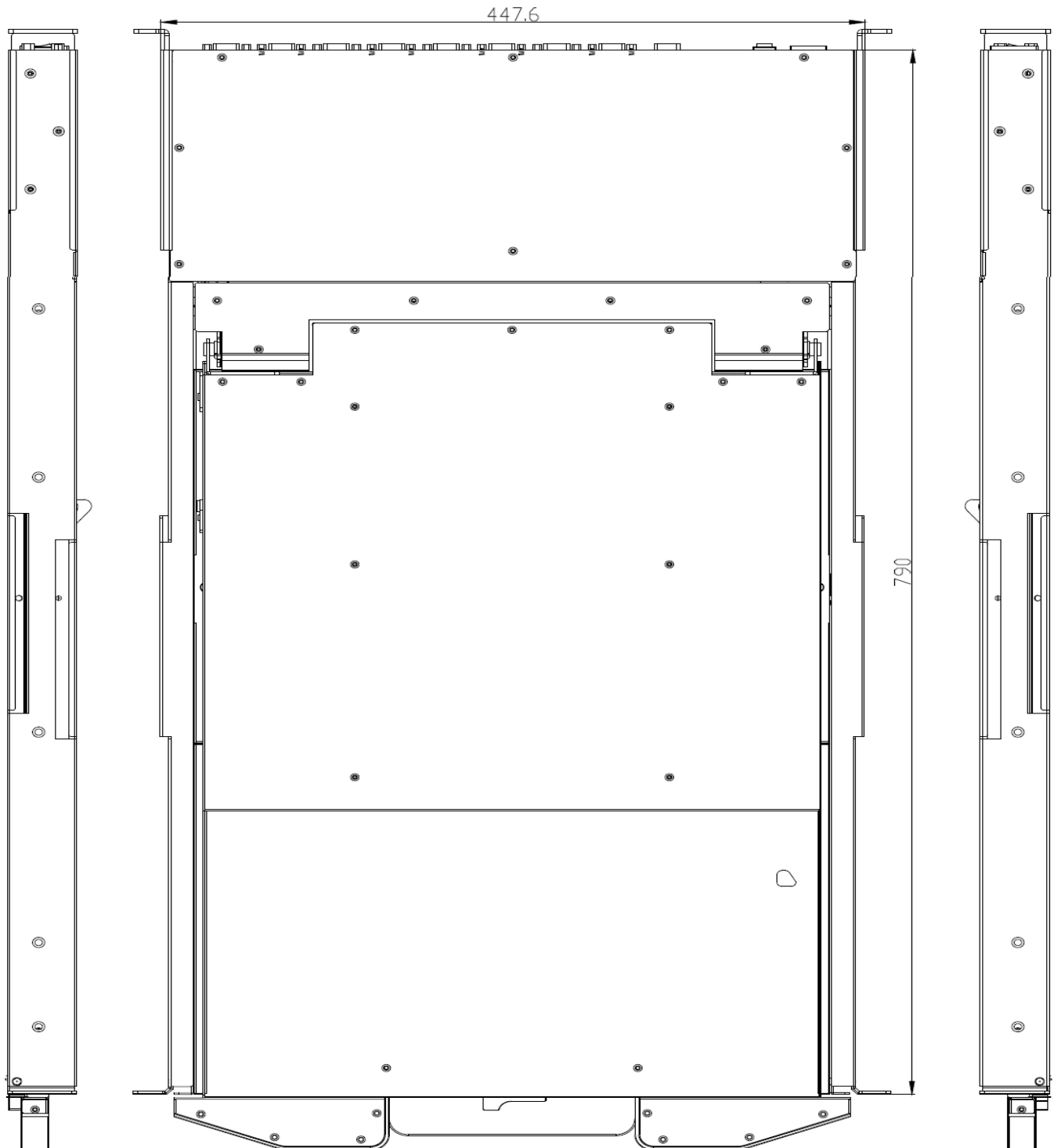
ATZ LK2108_2408W-PV



ATZ LK2116_2416W-PV



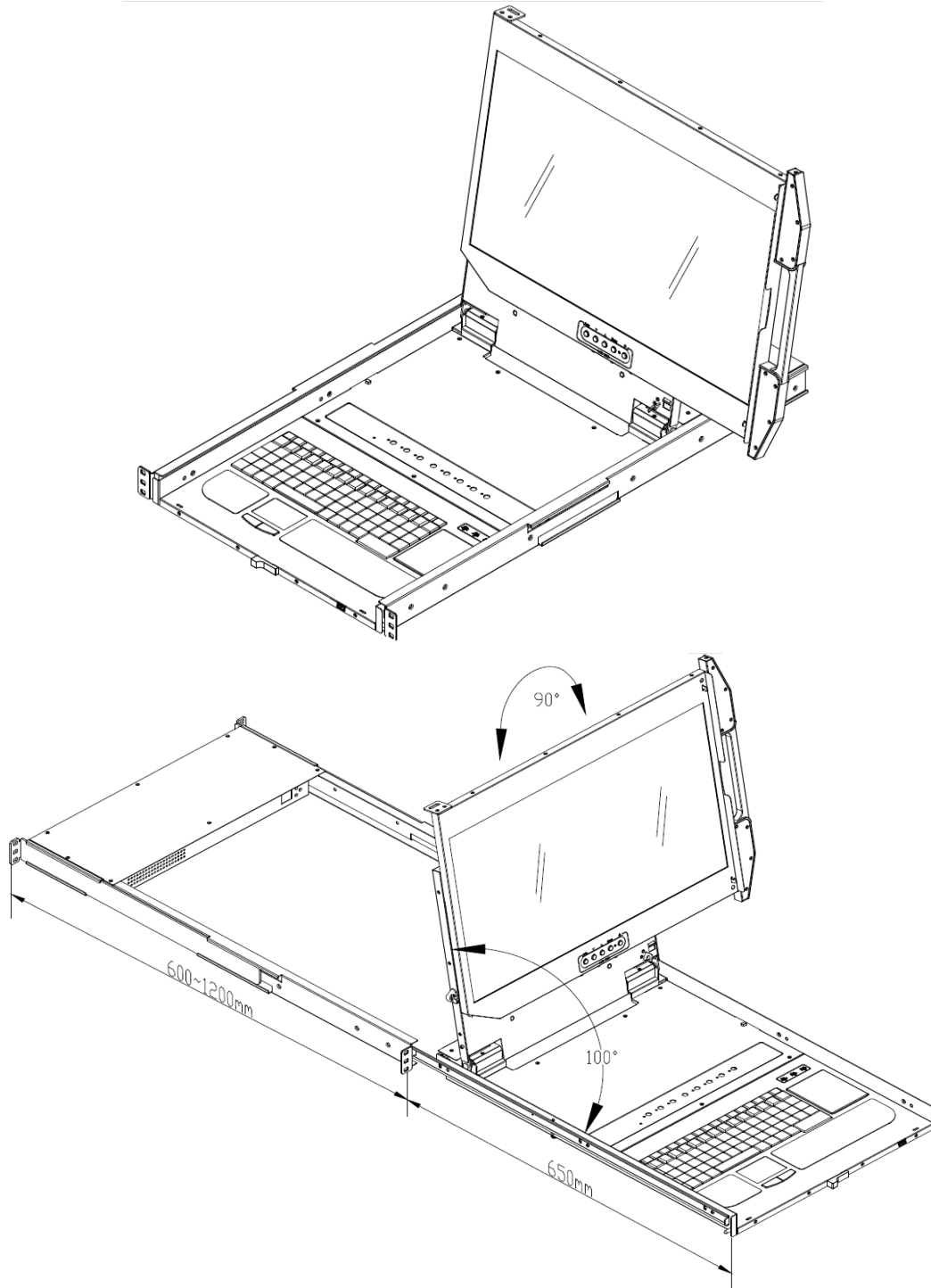
Model : ATZ LK2101_2108_2116_2401_2408_2416W-PV
Description : 21.5"/ 23.5" FHD Combo LCD KVM Console Drawers
(Screen pivot version)
- Optimize rack space. Maximize rack monitoring -



pg. 3

Notes: - All brand names and trademarks are properties of their respective holders and are referred to here for descriptive purpose only. Photo attached is for reference only, it may be slightly varied in items of colour, shape from the actual item delivered from time to time.

Model : ATZ LK2101_2108_2116_2401_2408_2416W-PV
Description : 21.5"/ 23.5" FHD Combo LCD KVM Console Drawers
(Screen pivot version)
- Optimize rack space. Maximize rack monitoring -



pg. 6

Notes: - All brand names and trademarks are properties of their respective holders and are referred to here for descriptive purpose only. Photo attached is for reference only, it may be slightly varied in items of colour, shape from the actual item delivered from time to time.

Model : ATZ LK2101_2108_2116_2401_2408_2416W-PV
Description : 21.5"/ 23.5" FHD Combo LCD KVM Console Drawers
(Screen pivot version)
- *Optimize rack space. Maximize rack monitoring* -

Warranty: 3 Years

Warranty is effective from the date of original delivery.

This warranty shall be void if a serial number has been removed from the product.