

**Model** : ATZ LK2104QSS-PV

**Description** : 21.5 inch Quad Screen Splitter LCD Console Drawers,  
4 port DVI/USB/Audio interface. – Screen Pivot Version.  
- Optimize rack space. Maximize rack monitoring -



**Model** : ATZ LK2104QSS-PV

**Description** : 21.5 inch Quad Screen Splitter LCD Console Drawers,  
4 port DVI/USB/Audio interface. – Screen Pivot Version.  
- Optimize rack space. Maximize rack monitoring -



**Switch between ports by simply moving the mouse cursor across each screen boundary on QSS mode.**

**ATZ** range of Quad Screen Splitter (QSS ) LCD console drawers represents the latest technology in KVM switching. The key advantage over conventional KVM switches is that it allows you to simultaneously display and administer 4 computers on a single console. It combines KVM features and a digital multi-viewer scaling and converting videos at both inputs and output.

Configured with 21.5 inch A-Grade FHD LCD panels, integrated 4 ports DVI-D/USB/Audio/HUB, support Full screen and Quad screen mode.

The self-locking rails when in the fully extended open position and the ultra convenient auto lock release when the LCD panel is closed, make for simple and hassle free operation.

**Model** : ATZ LK2104QSS-PV

**Description** : 21.5 inch Quad Screen Splitter LCD Console Drawers,  
4 port DVI/USB/Audio interface. – Screen Pivot Version.  
- Optimize rack space. Maximize rack monitoring -

### Features:

- Facilitated by screen rotate function.
- 1U single rail with 21.5" LCD Monitor,
- Support FHD with 1080p resolution.
- Four Independent DVI-D/USB/Audio/HUB interface for each PC.
- Support Full screen and Quad screen mode
- On Quad Screen mode, by Mouse moving across screen boundary or via Push Button or Hotkey to switching port
- Front 1x , rear 2x USB 2.0 Type A, Sharing USB peripheral Device for each computer. (Ex, flash disk, hard driver, KB/Mouse)
- Build in 2x2w stereo speakers.
- Durable 104-key keyboard and touch pad.
- Quick and simple installation.
- Self-locking and auto release rails for ultra convenience.

### Specifications:

Part No.		KVM-2104QSS-PV
Direct no. of Computers		4 x DVI-D/ USB / Audio & 2x HUB
Maximum no. of Computers		4
LCD	Size	21.5"
	Backlight	LED
	Resolution	1920*1080 FULL HD
	Max.color	16.7M
	Luminance	250cd/m2
	View Angel (H/V)	178 / 178
	Contrast Ratio	3000 : 1
Port Selection		Mouse moving across screen boundary , Push Button or Hotkey
USB HUB		Front 1x , rear 2x USB 2.0 Type A for USB Peripheral Device

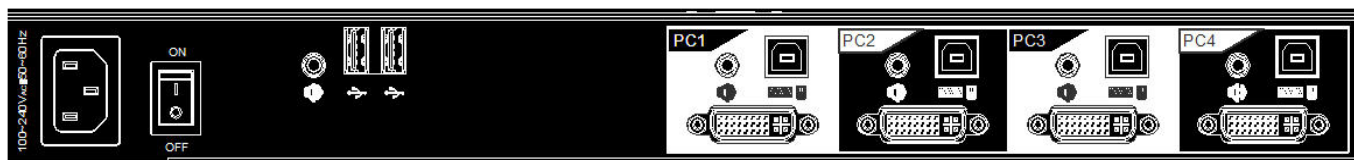
**Model** : ATZ LK2104QSS-PV

**Description** : 21.5 inch Quad Screen Splitter LCD Console Drawers,  
4 port DVI/USB/Audio interface. – Screen Pivot Version.  
- Optimize rack space. Maximize rack monitoring -

KB/Mouse Emulation	USB
Rack Depth	600mm to 1200mm ( rack cabinet front rails to rear rails )
Power	100-240V AC 50/60Hz via IEC Type power cord
Environment	Operation temp: 0 to 50°C Storage temp: -20 to 60°C Humidity: 10% - 90%, non-condensing Shock: 10G acceleration ( 11ms duration) Vibration: 17 to 500Hz 1G PTP
Physical Dimensions / Net Weights	448x44x795mm (WxHxD) / 19.5KG
Packing Dimensions / Gross weights	580x195x940mm (WxHxD) / 23KG
<b>Accessory</b>	
1.8meter IEC Type Power Cord x1 1.8meter DVI Cable x4 1.8meter USB Cable x4 1.8meter Audio Cable x4	

## Product Diagram:

### Rear of ATZ LK2104QSS



Lift the display



Rotate Display to the right



Operating position

pg. 4

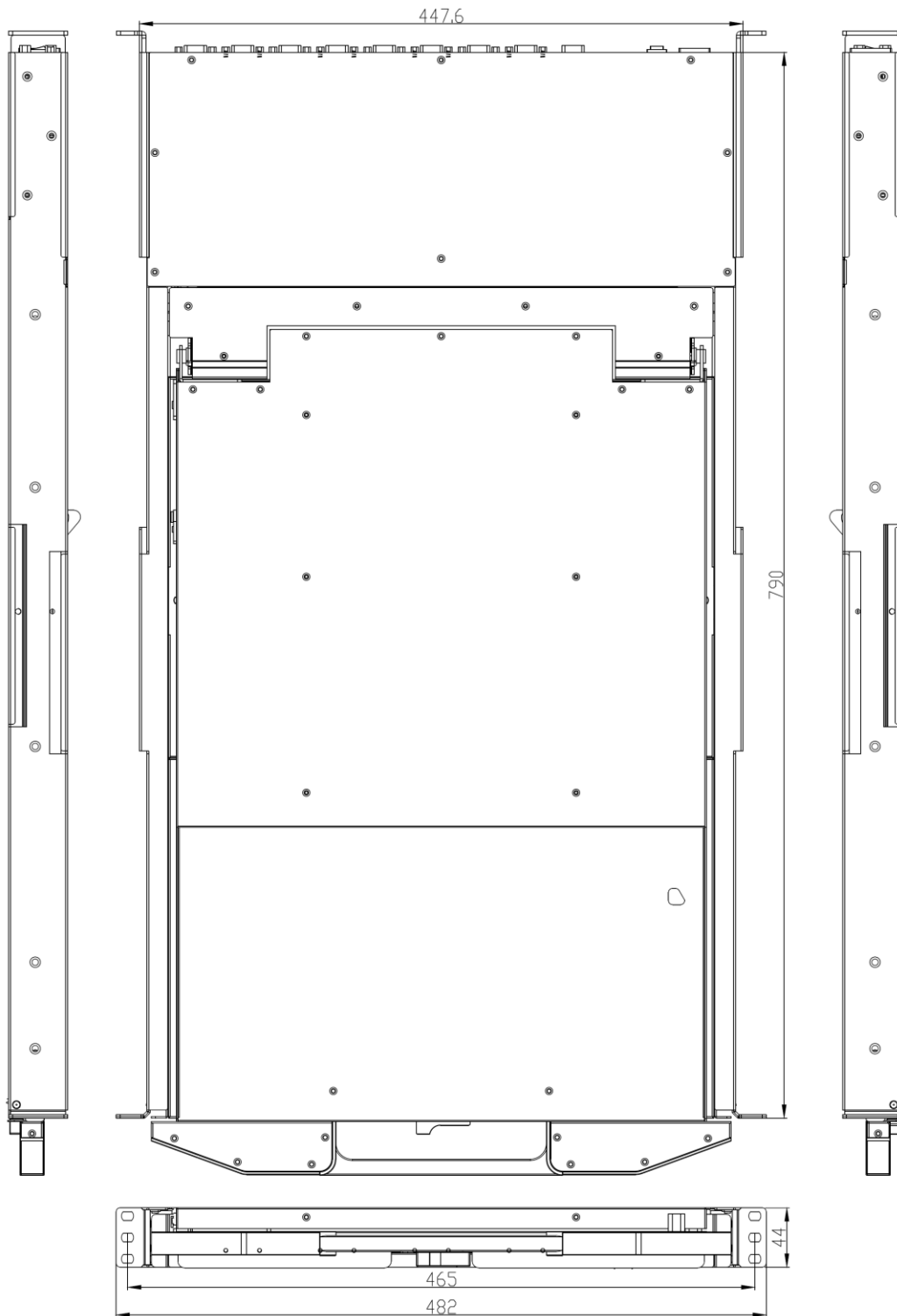
**Notes:** - All brand names and trademarks are properties of their respective holders and are referred to here for descriptive purpose only. Photo attached is for reference only, it may be slightly varied in items of colour, shape from the actual item delivered from time to time.

All specifications are subject to change without prior notice.

© Copyright

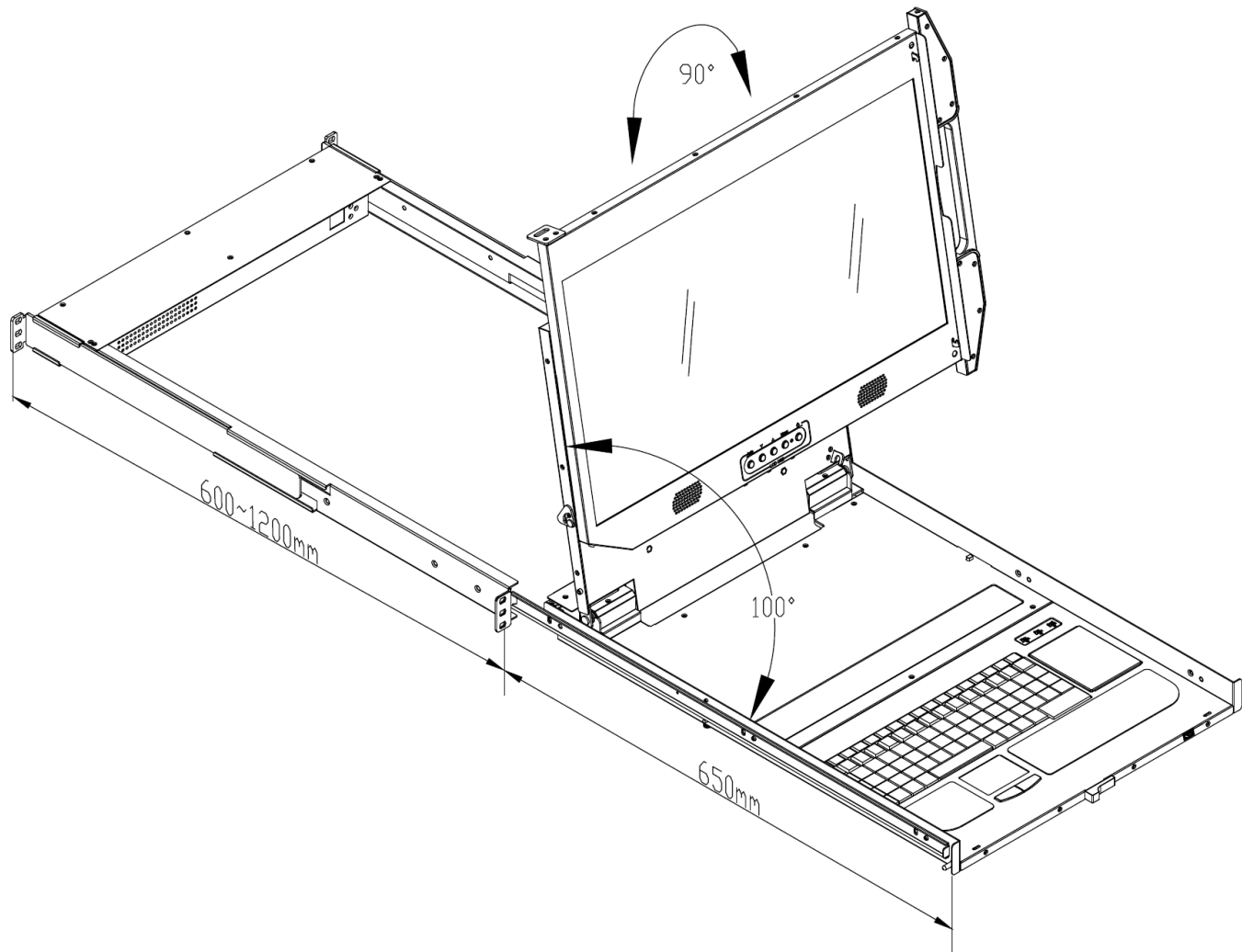
**Model** : ATZ LK2104QSS-PV

**Description** : 21.5 inch Quad Screen Splitter LCD Console Drawers,  
 4 port DVI/USB/Audio interface. – Screen Pivot Version.  
 - Optimize rack space. Maximize rack monitoring -



**Model** : ATZ LK2104QSS-PV

**Description** : 21.5 inch Quad Screen Splitter LCD Console Drawers,  
4 port DVI/USB/Audio interface. – Screen Pivot Version.  
- Optimize rack space. Maximize rack monitoring -



### **Warranty: 3 Years**

Warranty is effective from the date of original delivery.

This warranty shall be void if a serial number has been removed from the product.