

Model : ATZ LK2401WPD-PV

Description : 24" FHD(1080p) LCD Console Drawer + multi input DVI, VGA, Audio, USB Hub (Screen Pivot version).

- Optimize rack space. Maximize rack monitoring -



Model : ATZ LK2401WPD-PV

Description : 24" FHD(1080p) LCD Console Drawer + multi input DVI, VGA, Audio, USB Hub (Screen Pivot version).

- Optimize rack space. Maximize rack monitoring -

Features:

- 1U 23.8 inch widescreen LCD Console Drawer
- Screen Pivot with DVI & VGA Port
- 1920 x 1200 WUXGA Ultra high resolution
- Support FHD with 1080p resolution.
- Front 1xUSB, Rear 2xUSB 2.0 Type A, Sharing USB peripheral Device for computer (ex, flash disk, hard driver, KB/Mouse)
- 104-key keyboard with touch pad mouse.
- USB 2.0 Keyboard & Mouse
- Self-locking and auto release rails for ultra convenience.
- Build in 2x 2 watts speakers

Optional:

- Composite Video input
- HDMI or Display Port input
- 3G / HD / SD –SDI Broadcast grade input
- 48V, 24V or 12V DC Power

Specifications:

Part No.		ATZ LK2401WPD-PV
No. of ports		1
KVM Connectors		DVI-D , VGA , USB
LCD	Size	23.8 inch FULL HD display
	Backlight	LED
	Resolution	1920*1080 (support resolution up to 1920*1200)
	Max.color	16.7M
	Luminance	250 cd/m2
	View Angel (H/V)	178 / 178
	Contrast Ratio	1000 : 1
Port Selection		N/A

pg. 2

Notes: - All brand names and trademarks are properties of their respective holders and are referred to here for descriptive purpose only. Photo attached is for reference only, it may be slightly varied in items of colour, shape from the actual item delivered from time to time.

All specifications are subject to change without prior notice.

© Copyright

Model : ATZ LK2401WPD-PV

Description : 24" FHD(1080p) LCD Console Drawer + multi input DVI, VGA, Audio, USB Hub (Screen Pivot version).

- Optimize rack space. Maximize rack monitoring -

USB HUB	Yes , Front x1 & Rear x 2 USB 2.0 Type A for USB Peripheral Device
Audio	1 x 3.5mm Audio jack
KB/Mouse Emulation	USB 2.0
Rack Depth (rack cabinet front rails to rear rails)	600mm to 1200mm
Power	100-240V AC 50/60Hz via IEC Type power cord
Environment	Operation temp: 0 to 50°C Storage temp: -20 to 60°C Humidity: 10% - 90%, non-condensing Shock: 10G acceleration (11ms duration) Vibration: 17 to 500Hz 1G PTP
Physical Dimensions (W x H x D) / Net Weights (KGs)	448x44x690mm / 18 KG
Packing Dimensions (W x H x D) / Gross weights (KGs)	580x190x840mm / 22 KG

Accessory

1x 1.8meter IEC Type Power Cord
1x 1.8meter DVI Cable
1x 1.8meter VGA Cable
1x 1.8meter USB Cable
1x 1.8meter Audio Cable



Lift the display



Display rotate to the right



Operating position

pg. 3

Notes: - All brand names and trademarks are properties of their respective holders and are referred to here for descriptive purpose only. Photo attached is for reference only, it may be slightly varied in items of colour, shape from the actual item delivered from time to time.

All specifications are subject to change without prior notice.

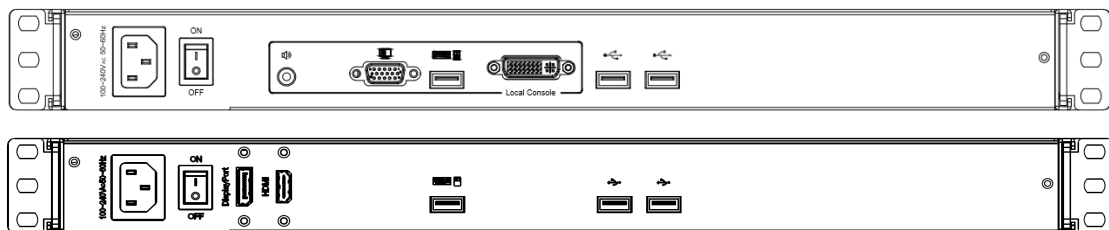
© Copyright

Model : ATZ LK2401WPD-PV

Description : 24" FHD(1080p) LCD Console Drawer + multi input DVI, VGA, Audio, USB Hub (Screen Pivot version).
- Optimize rack space. Maximize rack monitoring -

Product Diagram

Rear of ATZ LK2401WPD-PV

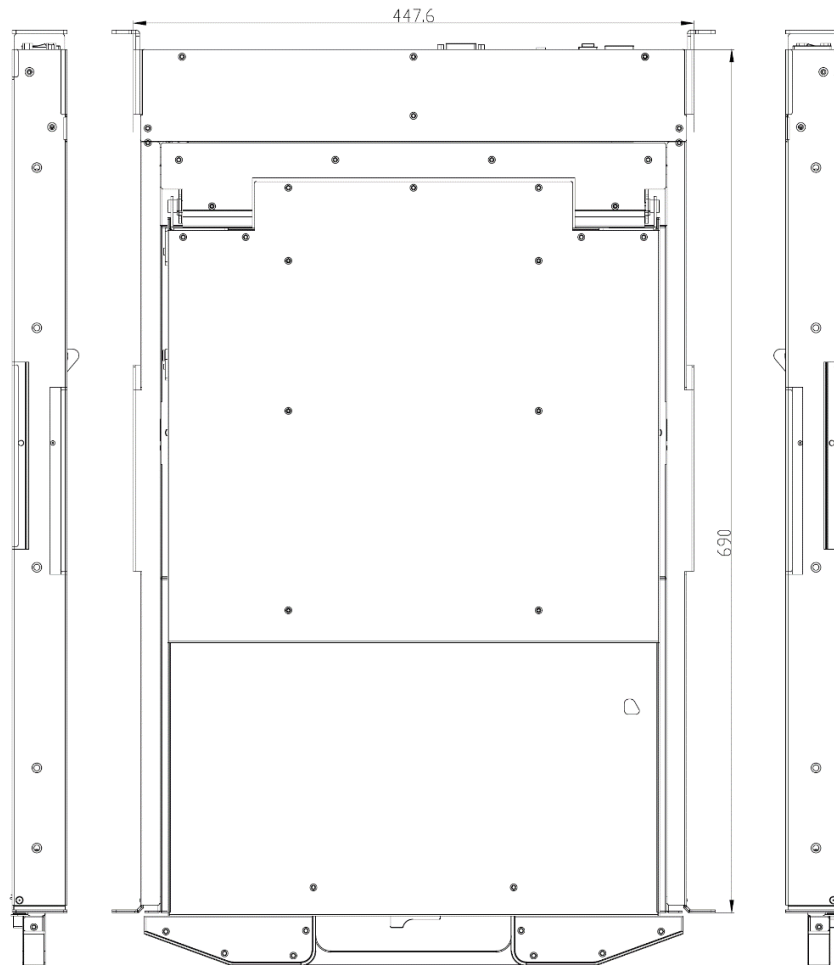


HDMI+DP option

Model : ATZ LK2401WPD-PV

Description : 24" FHD(1080p) LCD Console Drawer + multi input DVI, VGA, Audio, USB Hub (Screen Pivot version).

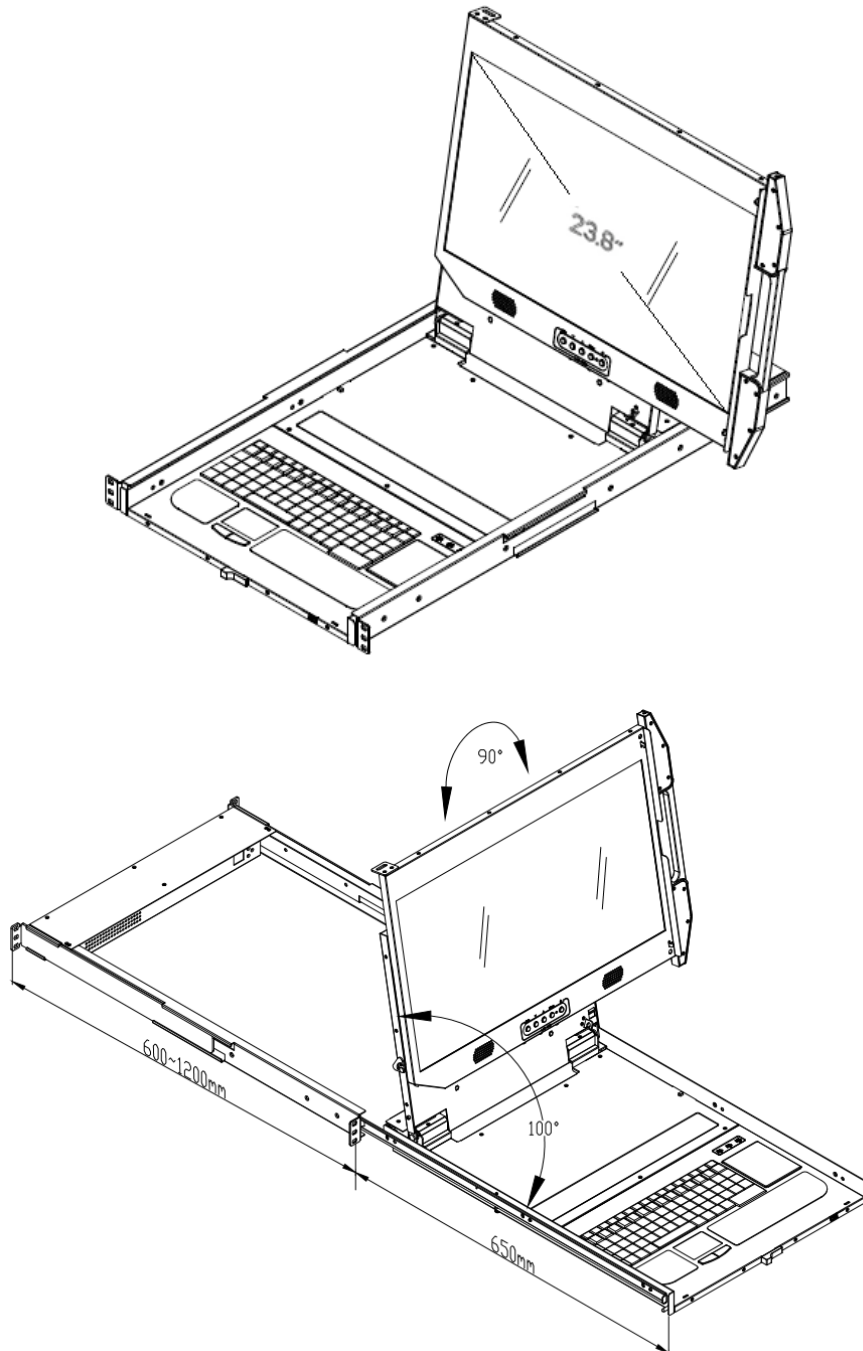
- Optimize rack space. Maximize rack monitoring -



Model : ATZ LK2401WPD-PV

Description : 24" FHD(1080p) LCD Console Drawer + multi input DVI, VGA, Audio, USB Hub (Screen Pivot version).

- Optimize rack space. Maximize rack monitoring -



Model : ATZ LK2401WPD-PV

Description : 24" FHD(1080p) LCD Console Drawer + multi input DVI, VGA, Audio, USB Hub (Screen Pivot version).

- *Optimize rack space. Maximize rack monitoring* -

Warranty: 3 Years

Warranty is effective from the date of original delivery.

This warranty shall be void if a serial number has been removed from the product.