

Model : ATZ LK3X56KMT

Description : 5.6" 4U Triple Screen LCD Console + 3 ports VGA-USB KM switch/
USB Hub/Audio Interface.

- Optimize rack space. Maximize rack monitoring -



pg. 1

Notes: - All brand names and trademarks are properties of their respective holders and are referred to here for descriptive purpose only. Photo attached is for reference only, it may be slightly varied in items of colour, shape from the actual item delivered from time to time.

All specifications are subject to change without prior notice.

© Copyright

Model : ATZ LK3X56KMT

Description : 5.6" 4U Triple Screen LCD Console + 3 ports VGA-USB KM switch/
USB Hub/Audio Interface.

- Optimize rack space. Maximize rack monitoring -



Switching port by simply moving the mouse cursor across each screen boundary

Features:

- Compact 19 inch rack mountable. Build in Triple 5.6 inch TFT LCD Display in 4U height.
- Integrated 3 Port Keyboard/ Mouse Switch (KM Switch), **move mouse across screen boundary to switch.**
- Independent VGA/ USB/ Audio/ HUB interface for each PC
- Heavy duty steel chassis with hardness glass protect screen (touch for optional).
- Front osd control buttons to optimized display.
- 90° tilt adjustment for ultra convenience view angle.
- Rear 2x USB 2.0 Type A, Sharing USB peripheral Device for each computer (ex, flash disk, hard driver, KB/Mouse).
- Build in 2x2w stereo speakers.
- Durable 88-key keyboard and touch pad tray
- Quick and simple installation.

pg. 2

Notes: - All brand names and trademarks are properties of their respective holders and are referred to here for descriptive purpose only. Photo attached is for reference only, it may be slightly varied in items of colour, shape from the actual item delivered from time to time.

Model : ATZ LK3X56KMT

Description : 5.6" 4U Triple Screen LCD Console + 3 ports VGA-USB KM switch/
USB Hub/Audio Interface.

- Optimize rack space. Maximize rack monitoring -

Specifications:

Part No.	ATZ LK3X56KMT	
Direct no. of Computers	3	
Maximum no. of Computers	3	
LCD	Size	Triple 5.6 inch
	Backlight	LED
	Resolution	640*480
	Max.color	262K
	Luminance	200cd/m2
	View Angel (H/V)	140 / 120
	Contrast Ratio	500 : 1
Port Selection	Mouse moving across screen boundary or Hotkey	
USB HUB	Yes , Rear 2x USB 2.0 Type A for USB Peripheral Device	
Touch Screen	Yes , for option (Driver needed)	
KB/Mouse Emulation	USB	
Power	100-240V AC 50/60Hz via IEC Type power cord	
Environment	Operation temp: 0 to 50°C Storage temp: -20 to 60°C Humidity: 10% - 90%, non-condensing Shock: 10G acceleration (11ms duration) Vibration: 17 to 500Hz 1G PTP	
Physical Dimensions / Net Weights	448x170x265mm (WxHxD) / 8.5KG	
Packing Dimensions / Gross weights	610*300*415mm (WxHxD) / 12KG	

Model : ATZ LK3X56KMT

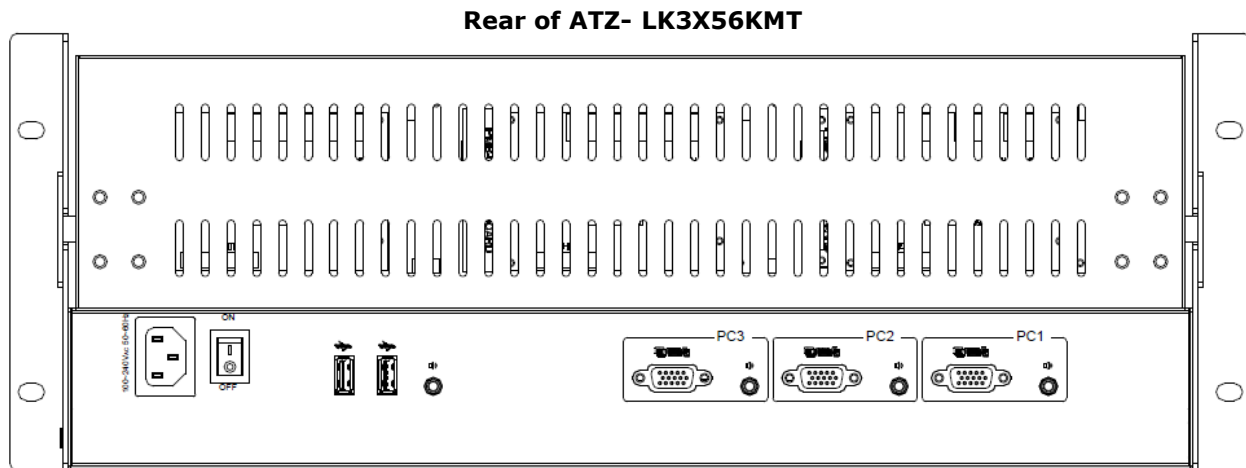
Description : 5.6" 4U Triple Screen LCD Console + 3 ports VGA-USB KM switch/
USB Hub/Audio Interface.

- Optimize rack space. Maximize rack monitoring -

Accessory

1.8meter IEC Type Power Cord x1,
1.8meter 2-in-1 KVM Cable-USB&VGA x3,
1.8meter Audio Cable x 3

Product Diagram:



pg. 4

Notes: - All brand names and trademarks are properties of their respective holders and are referred to here for descriptive purpose only. Photo attached is for reference only, it may be slightly varied in items of colour, shape from the actual item delivered from time to time.

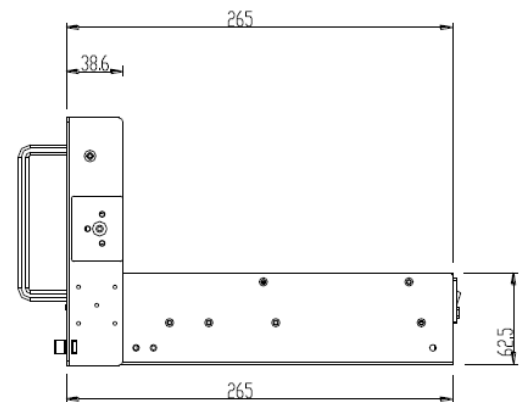
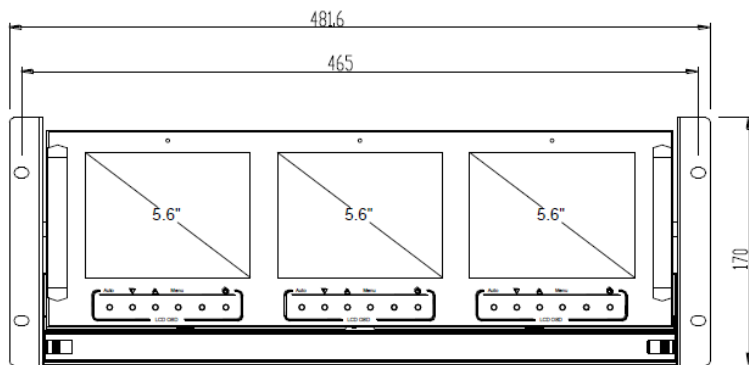
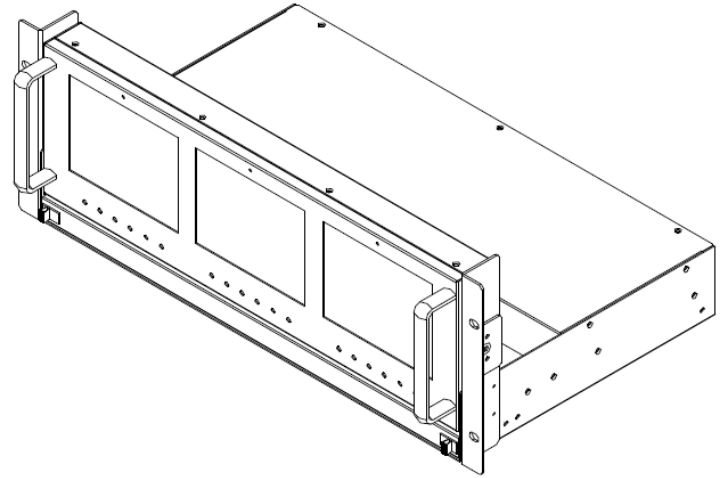
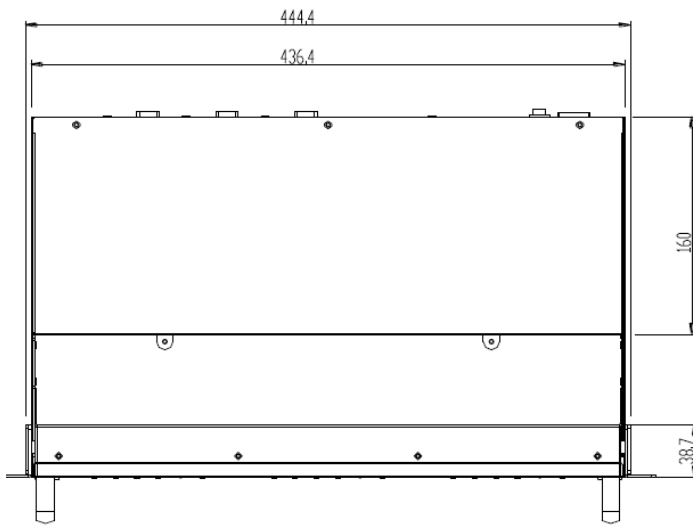
All specifications are subject to change without prior notice.

© Copyright

Model : ATZ LK3X56KMT

Description : 5.6" 4U Triple Screen LCD Console + 3 ports VGA-USB KM switch/
USB Hub/Audio Interface.

- Optimize rack space. Maximize rack monitoring -



Warranty: 3 Years

Warranty is effective from the date of original delivery.

This warranty shall be void if a serial number has been removed from the product.

pg. 5

Notes : - All brand names and trademarks are properties of their respective holders and are referred to here for descriptive purpose only. Photo attached is for reference only, it may be slightly varied in items of colour, shape from the actual item delivered from time to time.

All specifications are subject to change without prior notice.

© Copyright