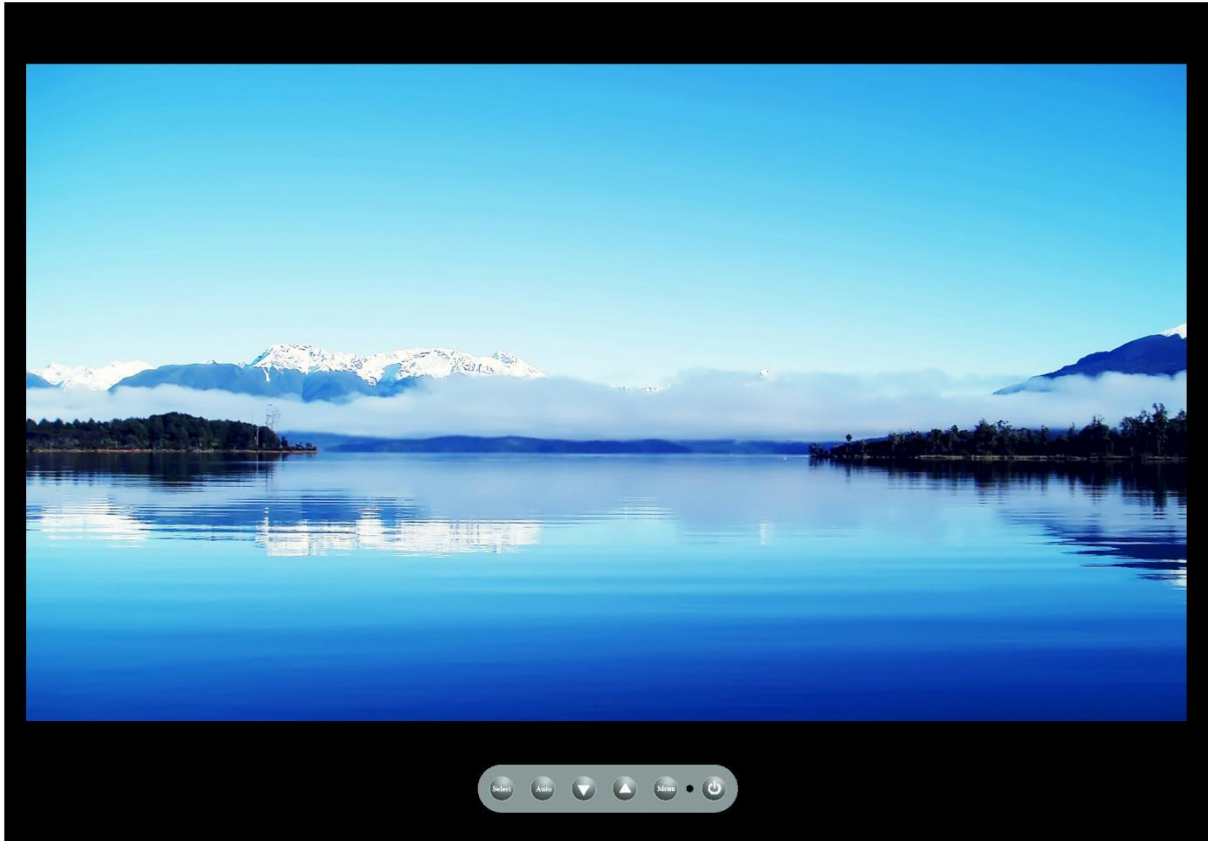


Model : ATZ LRM24W

Description : 8U 23.8" WIDE FHD LCD Rackmount Industrial Monitor
- Optimize rack space. Maximize rack monitoring -



Features:

- Compact 19 inch rack mountable with 8U height
- 23.8 inch widescreen LCD panel
- 1920 x 1080 WUXGA Ultra high resolution
- Support FHD with 1080p resolution
- DVI-D, VGA, Audio input
- Heavy duty steel chassis with hardness glass protect screen
- Front osd control buttons to optimized display
- Build in 2x 2watts stereo speakers

Option:

- Composite video input

[pg. 1](#)

Notes: - All brand names and trademarks are properties of their respective holders and are referred to here for descriptive purpose only. Photo attached is for reference only, it may be slightly varied in items of colour, shape from the actual item delivered from time to time.

All specifications are subject to change without prior notice.

© Copyright

Model : ATZ LRM24W

Description : 8U 23.8" WIDE FHD LCD Rackmount Industrial Monitor
- Optimize rack space. Maximize rack monitoring -

- HDMI or Display port input
- 3G / HD / SD-SDI broadcast grade input
- DC 9~36 V power input
- AR Hardness glass
- Touch screen

Specifications:

User Controls Interface:	
Power ON / OFF via Front Button	
Power Mode Status LED indicator	
OSD (On Screen Display) Buttons	
LCD Characteristics :	
Screen Size	23.8 inch widescreen
Backlight Type	LED
Resolution	1920x1080
Contrast Ratio	1000:1
Brightness (cd/m2)	250
View Angles (H/V)	178/178
Pixel Size (HxV) mm	0.27455x0.2745
Max. Color	16.7M
MTBF (Hrs.)	50,000
Mechanical and Environment:	
Height	8U
IP Protect	N/A
Mounting	VESA Mount and Rack Mount
Construction	Metal Housing
Operating Temperature	0 - 50 deg. C
Operating Humidity	5% - 95% (non -condensing)
Anti-Vibration	5 - 500 Hz / 1 Grms PTP
Anti-Shock	15G / Peak (11 ms)

pg. 2

Notes : - All brand names and trademarks are properties of their respective holders and are referred to here for descriptive purpose only. Photo attached is for reference only, it may be slightly varied in items of colour, shape from the actual item delivered from time to time.

All specifications are subject to change without prior notice.

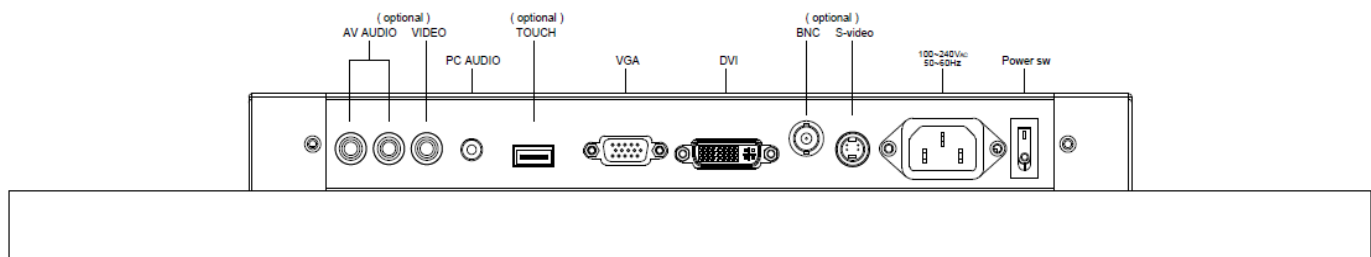
© Copyright

Model : ATZ LRM24W

Description : 8U 23.8" WIDE FHD LCD Rackmount Industrial Monitor
- Optimize rack space. Maximize rack monitoring -

Physical Dimension (WxHxD)	550 x 355 x 60 (mm)
Packing Dimension (WxHxD)	680 x 480 x 210 (mm)
Net Weight / Gross Weight	11 / 13.5 (KGs)
Certification and Approvals	CE / FCC / RoHs
Input Signals:	
DVI-D	DVI-D 24Pin Connector (Female)
VGA	D-SUB 15Pin Connector (Female)
Audio	3.5" Jack
Power Input	Standard IEC Inlet
Touch-USB (option)	USB A Type connector
Touch-RS232 (option)	D-SUB 9P connector (Female)
Power Specifications :	
AC Power Input	Standard IEC Type Power Cord with Internal Power adapter, 100-240V AC Input
Wide Range DC Power Input (option)	Screw Type Terminal Block with internal wide Range DC 9-36V power module

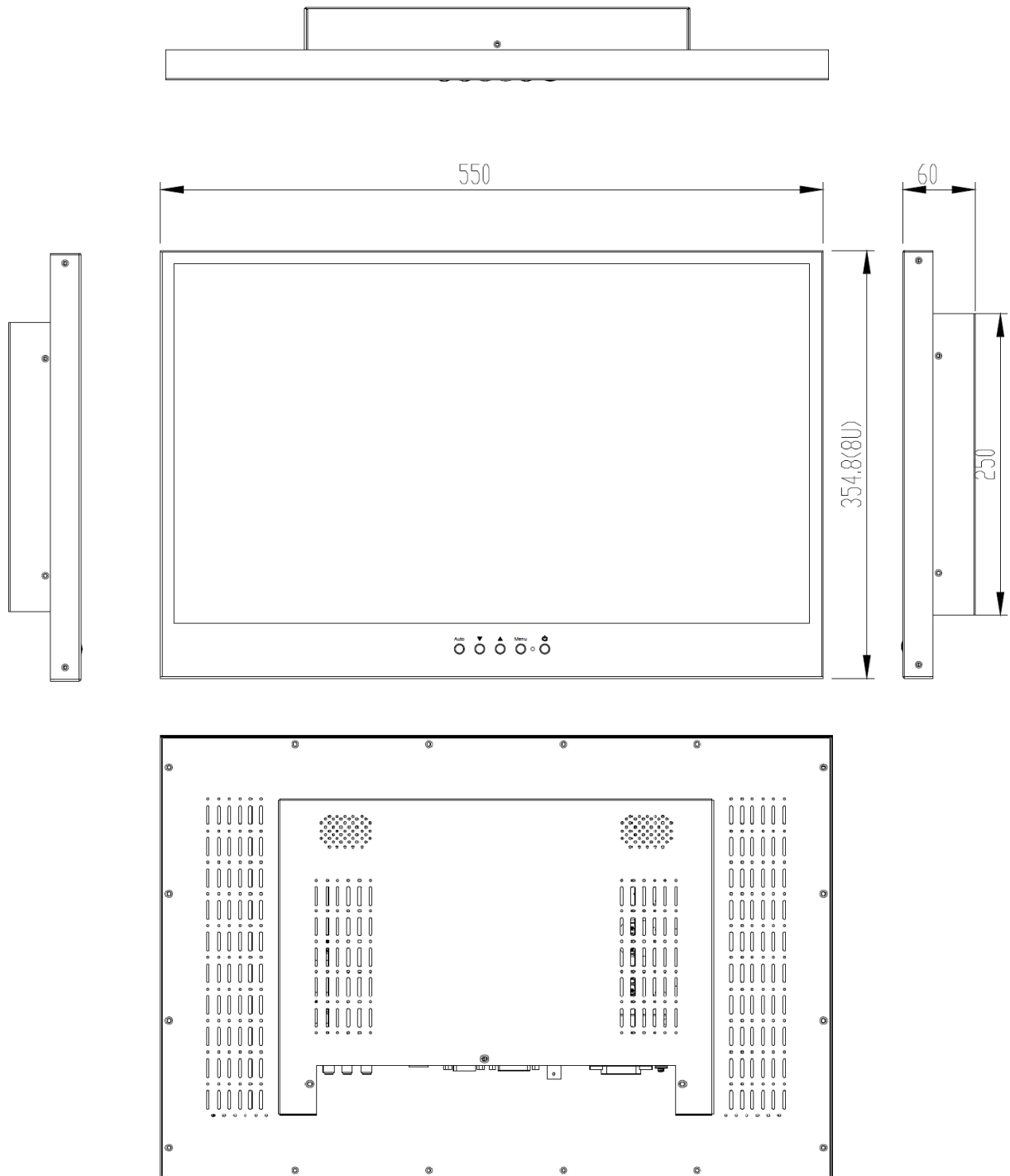
Product Diagram:



Rear of ATZ- LRM24W

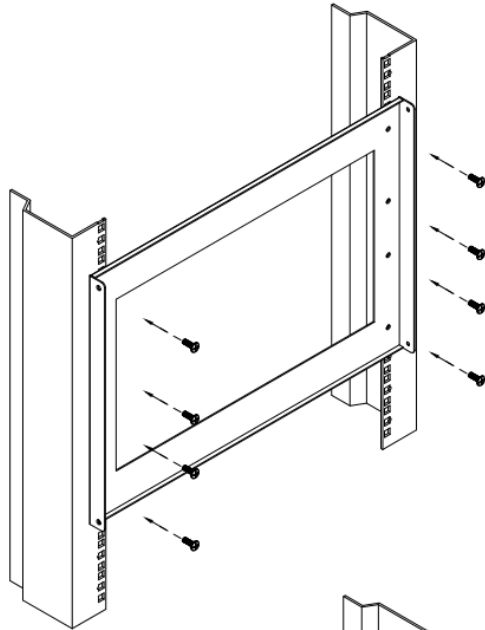
Model : ATZ LRM24W

Description : 8U 23.8" WIDE FHD LCD Rackmount Industrial Monitor
 - Optimize rack space. Maximize rack monitoring -



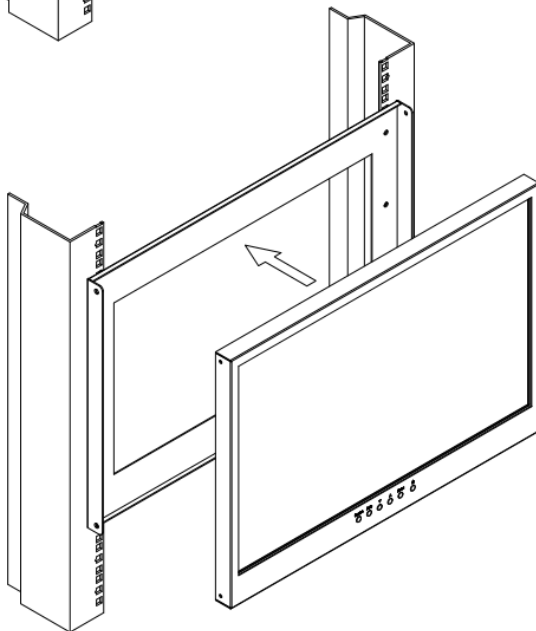
Model : ATZ LRM24W

Description : 8U 23.8" WIDE FHD LCD Rackmount Industrial Monitor
- Optimize rack space. Maximize rack monitoring -



Step 1

- Mount the rear bracket with M6 screw set.
 - 8 x M6 screw set are required.
- M6 screw sets are not provided**



Step 2

- Insert display panel into the rear bracket .

Warranty: 3 Years

Warranty is effective from the date of original delivery.

This warranty shall be void if a serial number has been removed from the product.

[pg. 5](#)

Notes: - All brand names and trademarks are properties of their respective holders and are referred to here for descriptive purpose only. Photo attached is for reference only, it may be slightly varied in items of colour, shape from the actual item delivered from time to time.

All specifications are subject to change without prior notice.

© Copyright