

Model : ATZ LRMD17W

Description : 1U Foldable 17" WIDE FHD LCD Rackmount Industrial Monitor Drawer
- Optimize rack space. Maximize rack monitoring -



Features:

- 1U Foldable Compact 19 inch rack mountable
- 17.3 inch 1920 x 1080 WUXGA high resolution
- Support FHD with 1080p resolution
- DVI-D, VGA, Audio input
- Heavy duty steel chassis construction
- Front osd control buttons to optimized display
- Build in 2x 2watts stereo speakers

pg. 1

Notes: - All brand names and trademarks are properties of their respective holders and are referred to here for descriptive purpose only. Photo attached is for reference only, it may be slightly varied in items of colour, shape from the actual item delivered from time to time.

All specifications are subject to change without prior notice.

© Copyright

Model : ATZ LRMD17W

Description : 1U Foldable 17" WIDE FHD LCD Rackmount Industrial Monitor Drawer
- Optimize rack space. Maximize rack monitoring -

- Self-Locking and Auto Release rail for ultra convenience

Option:

- Composite video input
- HDMI or Display port input
- 3G / HD / SD-SDI broadcast grade input
- DC 9~36 V power input
- AR Hardness glass
- Touch screen

Specifications:

User Controls Interface:	
Power ON / OFF via Front Button	
Power Mode Status LED indicator	
OSD (On Screen Display) Buttons	
LCD Characteristics :	
Screen Size	17.3"
Backlight Type	LED
Resolution	1920*1080
Contrast Ratio	400:1
Brightness (cd/m2)	300
View Angles (H/V)	140/120
Pixel Size (HxV) mm	0.1989x0.1989
Max. Color	262K
MTBF (Hrs.)	10,000
Mechanical and Environment:	
Height	1U Foldable
Rack Depth	15.5" to 30" (cabinet front rail to rear rail)
Mounting	Rack Mount with tilt adjustment
Construction	Metal Housing
Operating Temperature	0 - 50 deg. C
Operating Humidity	5% - 95% (non -condensing)
Anti-Vibration	5 - 500 Hz / 1 Grms PTP
Anti-Shock	15G / Peak (11 ms)

pg. 2

Notes: - All brand names and trademarks are properties of their respective holders and are referred to here for descriptive purpose only. Photo attached is for reference only, it may be slightly varied in items of colour, shape from the actual item delivered from time to time.

Model : ATZ LRMD17W

Description : 1U Foldable 17" WIDE FHD LCD Rackmount Industrial Monitor Drawer
- Optimize rack space. Maximize rack monitoring -

Physical Dimension (WxHxD)	443 x 44 x 425 (mm)
Packing Dimension (WxHxD)	715 x 140 x 600 (mm)
Net Weight / Gross Weight	12.5 / 17 (KGs)
Certification and Approvals	CE / FCC / RoHs
Input Signals:	
DVI-D	DVI-D 24Pin Connector (Female)
VGA	D-SUB 15Pin Connector (Female)
Audio	3.5" Jack
Power Input	Standard IEC Inlet
Touch-USB (option)	USB A Type connector
Touch-RS232 (option)	D-SUB 9P connector (Female)
Power Specifications :	
AC Power Input	Standard IEC Type Power Cord with Internal Power adapter, 100-240V AC Input
Wide Range DC Power Input (option)	Screw Type Terminal Block with internal wide Range DC 9-36V power module

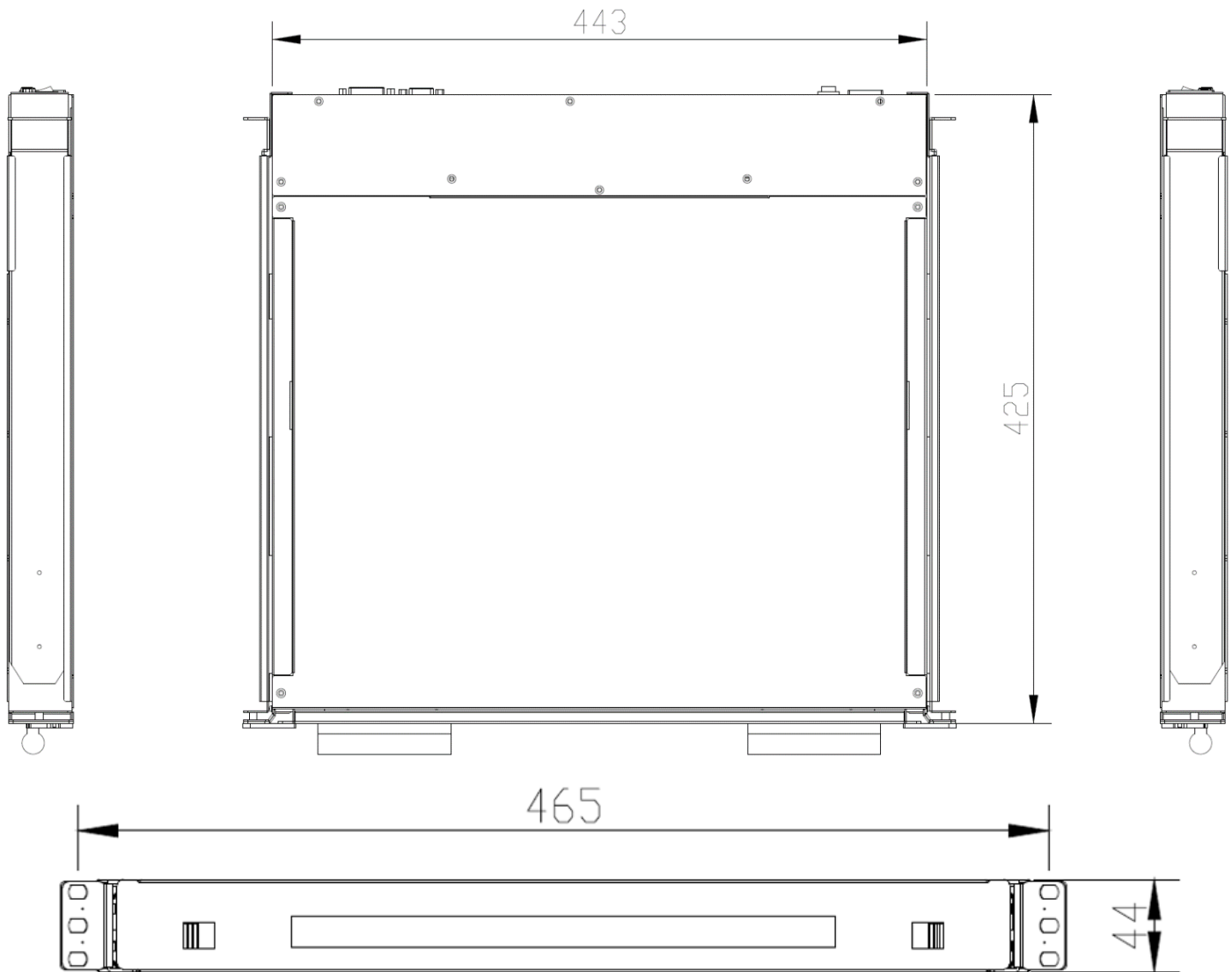
Product Diagram:



Rear of ATZ- LRMD17W

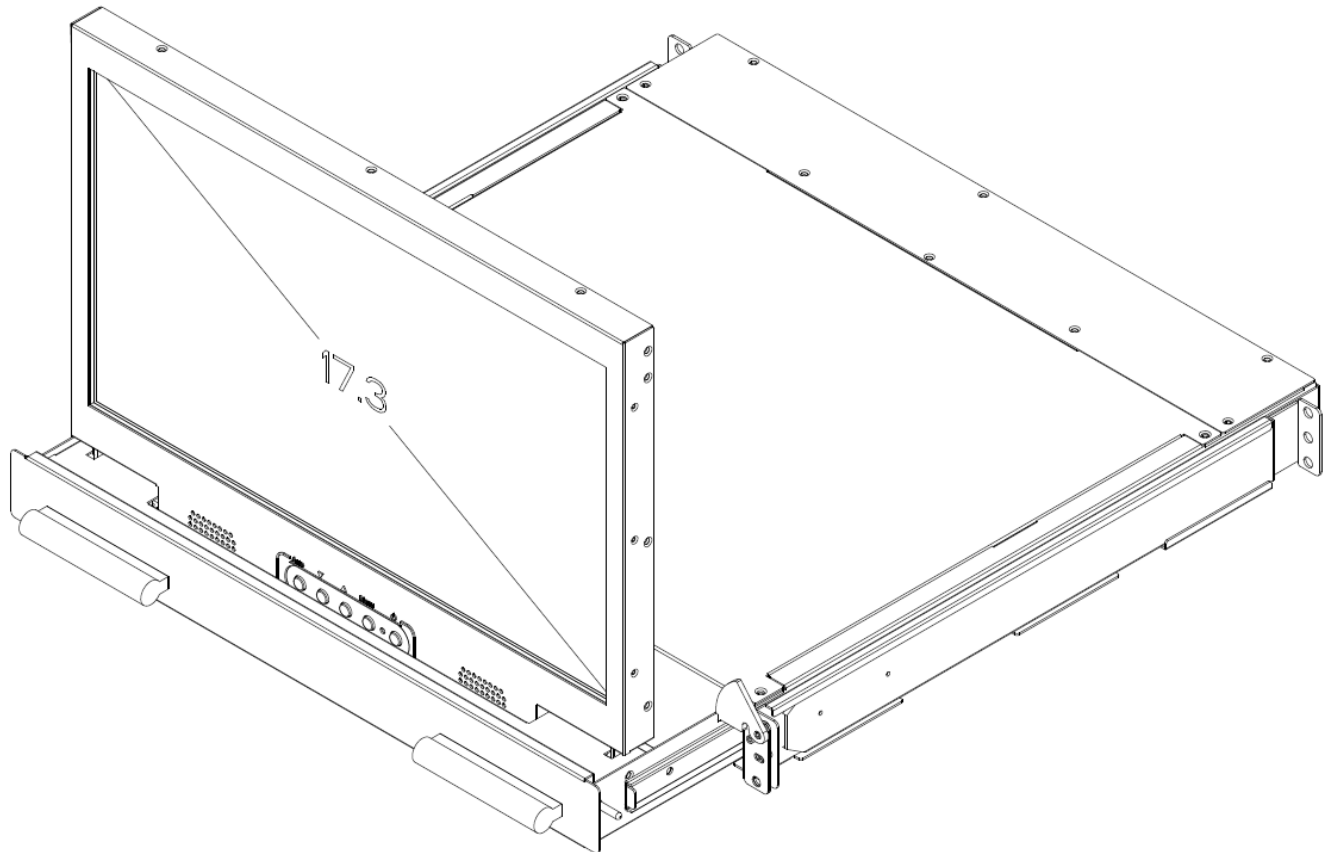
Model : ATZ LRMD17W

Description : 1U Foldable 17" WIDE FHD LCD Rackmount Industrial Monitor Drawer
- Optimize rack space. Maximize rack monitoring -



Model : ATZ LRMD17W

Description : 1U Foldable 17" WIDE FHD LCD Rackmount Industrial Monitor Drawer
- Optimize rack space. Maximize rack monitoring -



Warranty: 3 Years

Warranty is effective from the date of original delivery.

This warranty shall be void if a serial number has been removed from the product.

pg. 5

Notes: - All brand names and trademarks are properties of their respective holders and are referred to here for descriptive purpose only. Photo attached is for reference only, it may be slightly varied in items of colour, shape from the actual item delivered from time to time.

All specifications are subject to change without prior notice.
© Copyright