

Model : ATZ LRMD24W-D2

Description : 23.8" FHD (1920x1080) Dual Monitor LCD Drawer + multi input DVI/VGA/Audio/USB hub.

- Optimize rack space. Maximize rack monitoring -



pg. 1

Notes: - All brand names and trademarks are properties of their respective holders and are referred to here for descriptive purpose only. Photo attached is for reference only, it may be slightly varied in items of colour, shape from the actual item delivered from time to time.

All specifications are subject to change without prior notice.

© Copyright

Model : ATZ LRMD24W-D2

Description : 23.8" FHD (1920x1080) Dual Monitor LCD Drawer + multi input DVI/VGA/Audio/USB hub.

- Optimize rack space. Maximize rack monitoring -

Features:

- 2U foldable dual 23.8 inch widescreen LCD display Drawer
- Dual DVI & VGA Port
- 1920 x 1080 WUXGA Ultra high resolution
- Support FHD with 1080p resolution.
- Built-in 2x 2 watts speakers
- Independent front OSD control buttons to optimized display

Option:

- Composite video input
- HDMI or Display port input
- 3G/ HD/ SD-SDI broadcast grade input
- DC 9~36 V power input
- AR Hardness glass
- Touch screen

Specifications:

User Controls Interface:	
Power ON / OFF via Front Button	
Power Mode Status LED indicator	
OSD (On Screen Display) Buttons	
LCD Characteristics :	
Screen Size	Dual 23.8" inch widescreen
Backlight Type	LED
Resolution	1920*1080
Contrast Ratio	1000:1
Brightness (cd/m2)	250
View Angles (H/V)	178/178
Pixel Size (HxV) mm	0.2745x0.2745
Max. Color	16.7M
MTBF (Hrs.)	50,000
Mechanical and Environment:	

pg. 2

Notes: - All brand names and trademarks are properties of their respective holders and are referred to here for descriptive purpose only. Photo attached is for reference only, it may be slightly varied in items of colour, shape from the actual item delivered from time to time.

Model : ATZ LRMD24W-D2

Description : 23.8" FHD (1920x1080) Dual Monitor LCD Drawer + multi input DVI/VGA/Audio/USB hub.

- Optimize rack space. Maximize rack monitoring -

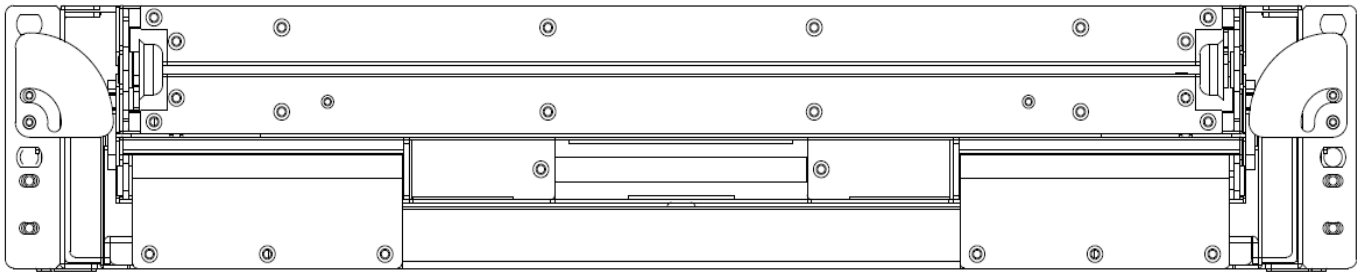
Height	2U Foldable
Rack Depth	24" to 43" (cabinet front rail to rear rail)
Construction	Metal Housing
Operating Temperature	0 - 50 deg. C
Operating Humidity	10% - 90% (non -condensing)
Anti-Vibration	5 - 500 Hz / 1 Grms PTP
Anti-Shock	15G / Peak (11 ms)
Physical Dimension (WxHxD)	443 x 88 x 750 (mm)
Packing Dimension (WxHxD)	550 x 220 x 900 (mm)
Net Weight / Gross Weight	22 / 28 (KGs)
Certification and Approvals	CE / FCC / RoHs
Input Signals:	
DVI-D	Dual DVI-D 24Pin Connector (Female)
VGA	Dual D-SUB 15Pin Connector (Female)
Audio	1x 3.5" Jack
Power Input	Standard IEC Inlet
Touch-USB (option)	Triple USB A Type connector
Touch-RS232 (option)	Triple D-SUB 9P connector (Female)
Power Specifications :	
AC Power Input	Standard IEC Type Power Cord with Internal Power adapter, 100-240V AC Input
Wide Range DC Power Input (option)	Screw Type Terminal Block with internal

Model : ATZ LRMD24W-D2

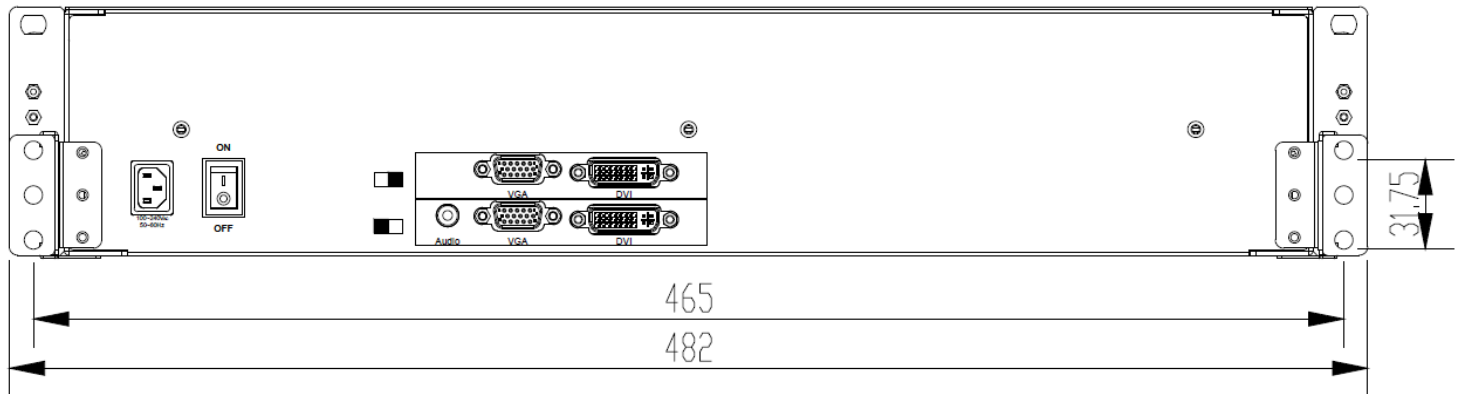
Description : 23.8" FHD (1920x1080) Dual Monitor LCD Drawer + multi input DVI/VGA/Audio/USB hub.

- Optimize rack space. Maximize rack monitoring -

Product Diagram:



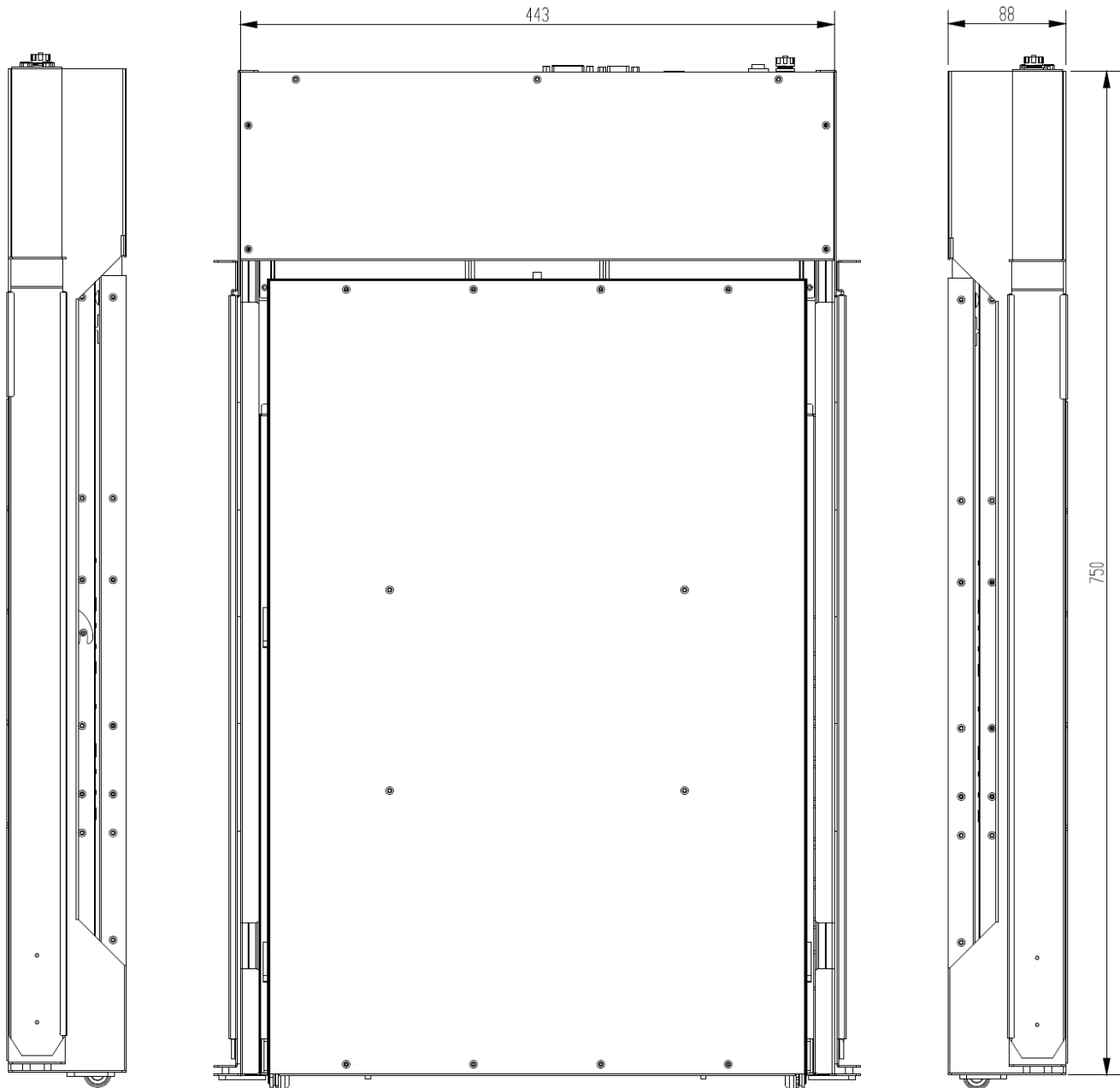
Rear of ATZ LRMD24W-D2



Model : ATZ LRMD24W-D2

Description : 23.8" FHD (1920x1080) Dual Monitor LCD Drawer + multi input DVI/VGA/Audio/USB hub.

- Optimize rack space. Maximize rack monitoring -



pg. 5

Notes: - All brand names and trademarks are properties of their respective holders and are referred to here for descriptive purpose only. Photo attached is for reference only, it may be slightly varied in items of colour, shape from the actual item delivered from time to time.

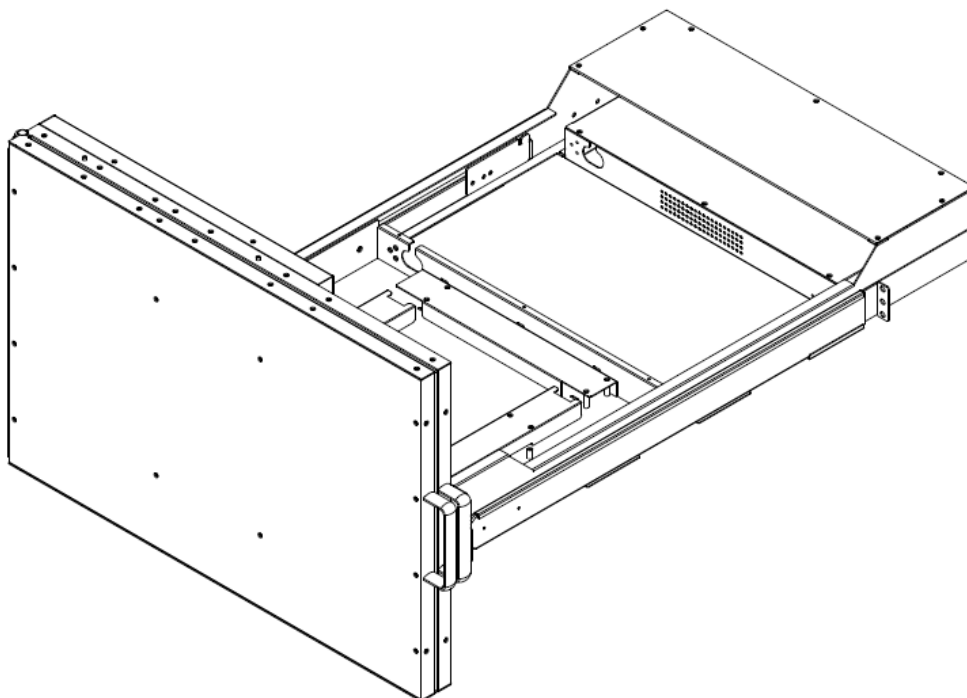
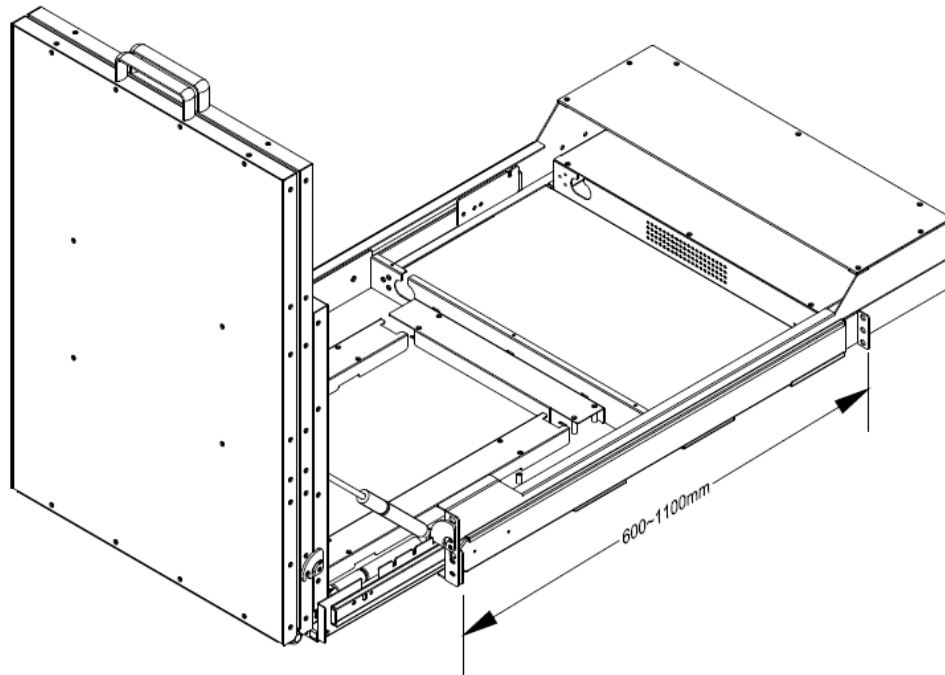
All specifications are subject to change without prior notice.

© Copyright

Model : ATZ LRMD24W-D2

Description : 23.8" FHD (1920x1080) Dual Monitor LCD Drawer + multi input DVI/VGA/Audio/USB hub.

- Optimize rack space. Maximize rack monitoring -



pg. 6

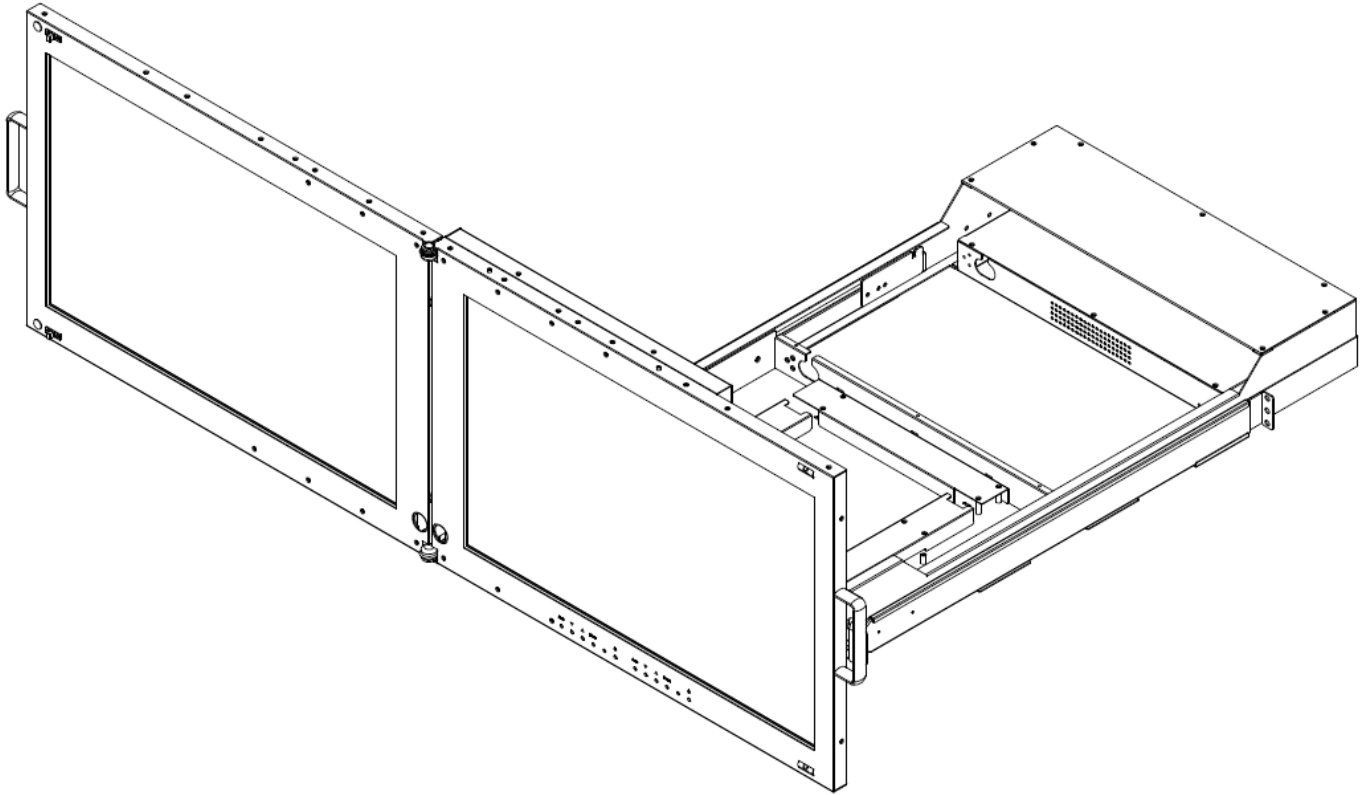
Notes: - All brand names and trademarks are properties of their respective holders and are referred to here for descriptive purpose only. Photo attached is for reference only, it may be slightly varied in items of colour, shape from the actual item delivered from time to time.

All specifications are subject to change without prior notice.
© Copyright

Model : ATZ LRMD24W-D2

Description : 23.8" FHD (1920x1080) Dual Monitor LCD Drawer + multi input DVI/VGA/Audio/USB hub.

- Optimize rack space. Maximize rack monitoring -



Warranty: 3 Years

Warranty is effective from the date of original delivery.

This warranty shall be void if a serial number has been removed from the product.