

Model : ATZ POE-SW108P

Description : 10-Port Unmanaged Gigabit PoE Switch. Ports 1-8 support PoE function IEEE802.3af/at up to 30W (Max: 130W)



The 8 gigabit PoE ports provide fast connection to servers or the backplane of the gigabit speed. The effective connectivity of the seven 10/100/1000Mbps ports, allows growing business networks, classrooms and work groups to obtain benefits from the demand for superior performance and sustain network expansion. This high-performance switch features with non-blocking, wire-speed switching, and 16Gbps switching capacity. All RJ45 PoE ports can auto adjust the highest connection

Model : ATZ POE-SW108P

Description : 10-Port Unmanaged Gigabit PoE Switch. Ports 1-8 support PoE function IEEE802.3af/at up to 30W (Max: 130W)

speed for a normal working, Auto Uplink™ technology can ensure proper network connection. This cost-effective ATZ POE-SW108P provide network layout need to simplify wireless access point (AP) and IP-based surveillance cameras network cameras in order to install in commercial network and home network. The devices far away from power socket are very suitable for hanging on the wall or ceiling. PoE eliminates the need for connecting these devices to power socket. So it make more flexible for those difficult to connect with AC power socket, and cut down the installation cost. It is ideal choice for those want to deploy a small commercial network and home network that use wireless access point (AP) and IP-based surveillance cameras.

Features:

- Supply power to Cat.5e/6 classes Ethernet wireless access point (AP) and network surveillance cameras (PoE)
- 10 * 10/100 /1000Mbps automatic adjustment RJ45 ports
- Port 1 to port 8 compatible with IEEE802.3af/at standard power supply
- Meets the standards of the IEEE 802.3af/ IEEE 802.3 /IEEE 802.3u/IEEE 802.3ab
- Flow Control Type: Full duplex adopts IEEE 802.3x standard, half duplex adopts back pressure standard
- Network port has lightning-proof function (AC power port: differential mode +/-2kV, common mode +/-4kV)
- Maximum PoE Power: 130W (all PoE ports, port 1 to port 8)
- Store-and-forward architecture, 2M forwarding memory
- All ports support wire-speed switching, frame size within the range of 64 to 1536 can achieve wire-speed
- Wall-mounted design, easy to install and use
- Automatic adjustment, plug and play, no need software and protocol conversion

Model : ATZ POE-SW108P

Description : 10-Port Unmanaged Gigabit PoE Switch. Ports 1-8 support PoE function IEEE802.3af/at up to 30W (Max: 130W)

Specifications:

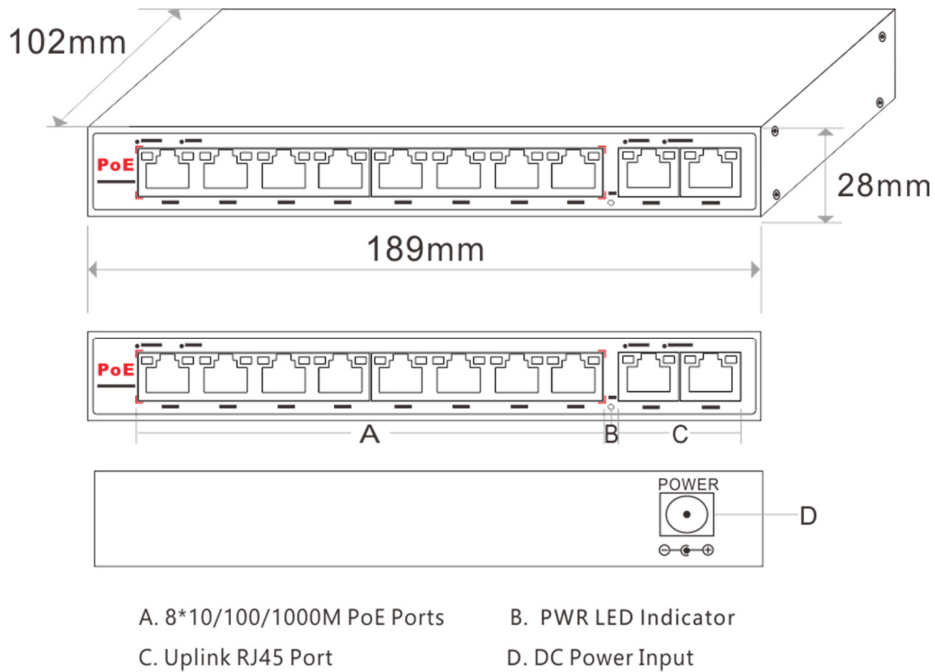
Connector Type	8*10/100/1000M copper cable RJ45 PoE ports, 2*10/100/1000M Ethernet Uplink Port (All ports support MDI/MDIX automatic adjustment)
Forwarding Mode	Store-and-forward architecture, line speed forwarding
Network Medium	1000BASE-TX: Cat.5 or more UTP(≤100 meters)
Performance Specifications	Bandwidth: 16Gbps (non-blocking) Buffer Memory: 2M Buffer Forward Rate: 14.88Mpps MAC Address Table: 8K MTBF: 100,000 hours
PoE Description	IEEE 802.3af/at, Max power for each port: 30W; Port 1 to Port 8 support PoE power; End-span(1/2+, 3/6- line pair) power supply, can be customized mid-span(4/5+, 7/8- line pair) power supply
Network Protocols and Standards	IEEE 802.3i; IEEE 802.3u; IEEE 802.3ab; IEEE 802.3af/at
LED Indicator Status	Power, Network, PoE working status
Power	IEEE802.3af/at standard Total power is 130W
Dimension	189*102*28mm
Working Environment	Operating Temperature: -20 ° ~ 55 ° C Storage Temperature: -20 ° ~ 75 ° C Humidity: 10% ~ 90%, non-condensing Storage Humidity: 10% ~ 95%, non-condensing
Radiation	CE mark, commercial FCC Part 15 Class B

Model : ATZ POE-SW108P

Description : 10-Port Unmanaged Gigabit PoE Switch. Ports 1-8 support PoE function IEEE802.3af/at up to 30W (Max: 130W)

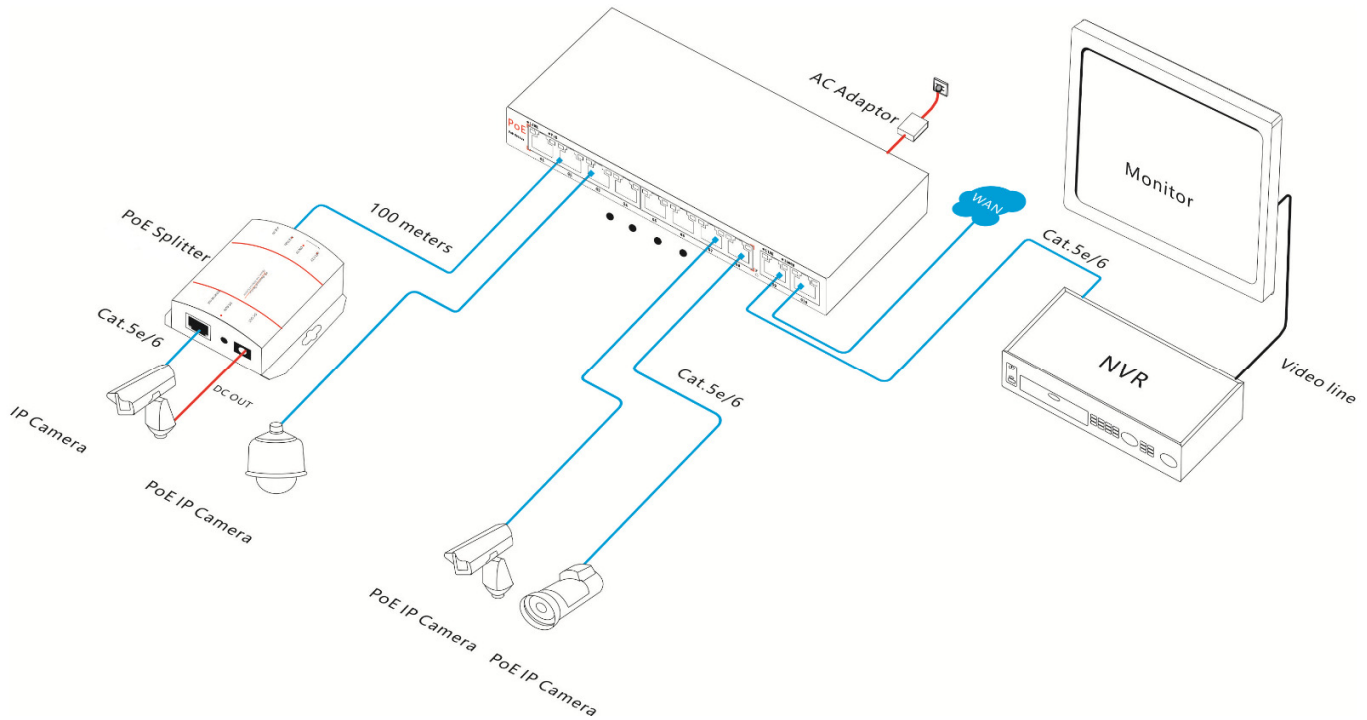
	VCCI Class B EN 55022 (CISPR 22), Class B
Safety	CE Mark ,commercial CE/LVD EN60950,RoHS

Product Diagram:



Model : ATZ POE-SW108P

Description : 10-Port Unmanaged Gigabit PoE Switch. Ports 1-8 support PoE function IEEE802.3af/at up to 30W (Max: 130W)



Package contents:

- 1x 10-Port gigabit PoE switch with 8 gigabit PoE ports
- 1x Power Cable
- 1x Mounting kits
- 1x User Guide

Warranty: 3 Years

Warranty is effective from the date of original delivery.

This warranty shall be void if a serial number has been removed from the product.