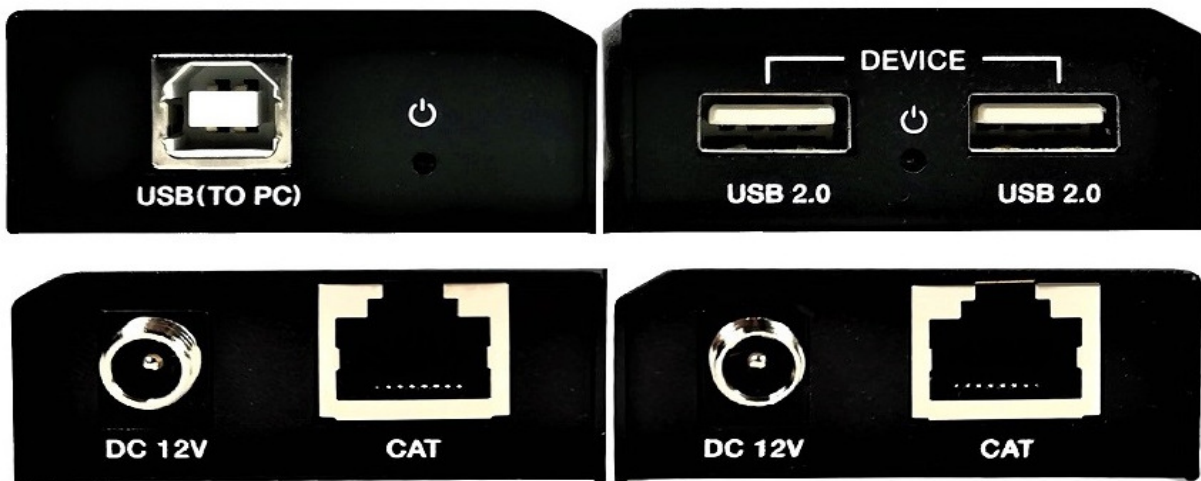


Model : ATZ UCE202

Description: 2 Ports USB2.0 Cat.6 Extender, PoC (100m)



The USB 2.0 Extender can extend USB signal up to 100 meters / 328ft via Cat 5e/6 cable. In transmitter, the USB-B port is connected a PC. In receiver, you can connect a device with USB port at the two USB ports such as U disk or printer, etc.

Transmitter and Receiver support PoC (Power over Cable) function. The product can be widely used long distance signal transmission between a PC and USB device. Simple plug and play, no drive and setting installation required.

Model : ATZ UCE202

Description: 2 Ports USB2.0 Cat.6 Extender, PoC (100m)

Features:

- Supports USB 2.0 protocol, transmission rate up to 480Mbps
- Supports extend distance up to 100 meters / 328ft via CAT 5e/6 cable
- Supports one USB-B port input in transmitter
- Supports two USB 2.0 ports output in receiver
- Supports PoC function, it means that either transmitter or receiver is connected powered supply by 12V/1A power adapter, the other doesn't need power supply.
- Simple plug and play, no drive and setting installation required
- Compact design for easy and flexible installation

Specifications:

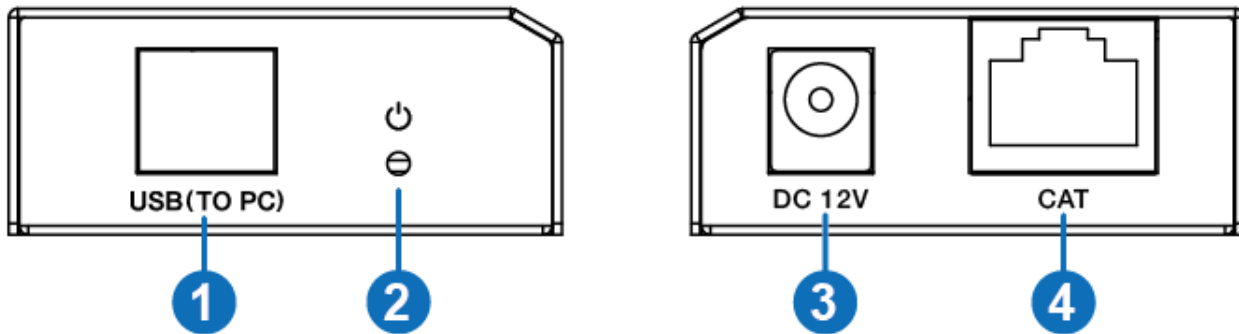
Technical	
USB protocol	USB 2.0
Transmission rate	Up to 480Mbps
Transmission distance	100M (328ft)
ESD Protection	Human-body Model: ±8kV (Air-gap discharge) , ±4kV (Contact discharge)
Connections	
Transmitter	Input port: 1×USB [USB-B, female] Output port: 1×CAT [RJ45, female]
Receiver	Input port: 1×CAT [RJ45, female] Output port: 2×USB [USB-A, female]
Mechanical	
Housing	Metal Enclosure
Color	Black
Dimensions	Transmitter / Receiver: 82mm (W)×49mm (D)×20mm (H)
Weight	Transmitter / Receiver: 100g
Power Supply	Input: AC100~240V 50/60Hz, Output: DC 12V/1A
Power Consumption	Transmitter: 1.3W, Receiver: 2.3W
Operating Temperature	0°C ~ 40°C / 32°F ~ 104°F
Storage Temperature	-20°C ~ 60°C / -4°F ~ 140°F
Relative Humidity	20~90% RH (non-condensing)

Model : ATZ UCE202

Description: 2 Ports USB2.0 Cat.6 Extender, PoC (100m)

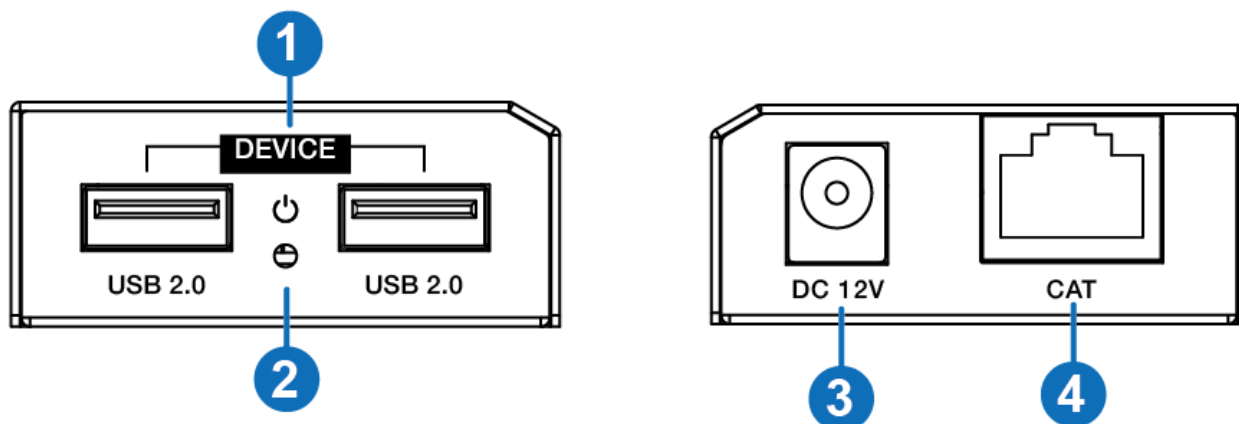
Operation Controls and Functions

Front Panel:



Number	Name	Function description
1	USB port	Use USB-B male head to USB-A male head wire to connect USB port of a PC. Note: The PC can control USB ports' device of the receiver.
2	POWER LED	Power LED indicator. The green LED will illuminate when transmitter is provided power supply.
3	DC 12V	Plug DC 12V/1A power supply into the unit and connect the adapter to an AC outlet.
4	CAT port	The CAT port is connected receiver's CAT port by CAT 5e/6 cable.

Rear Panel



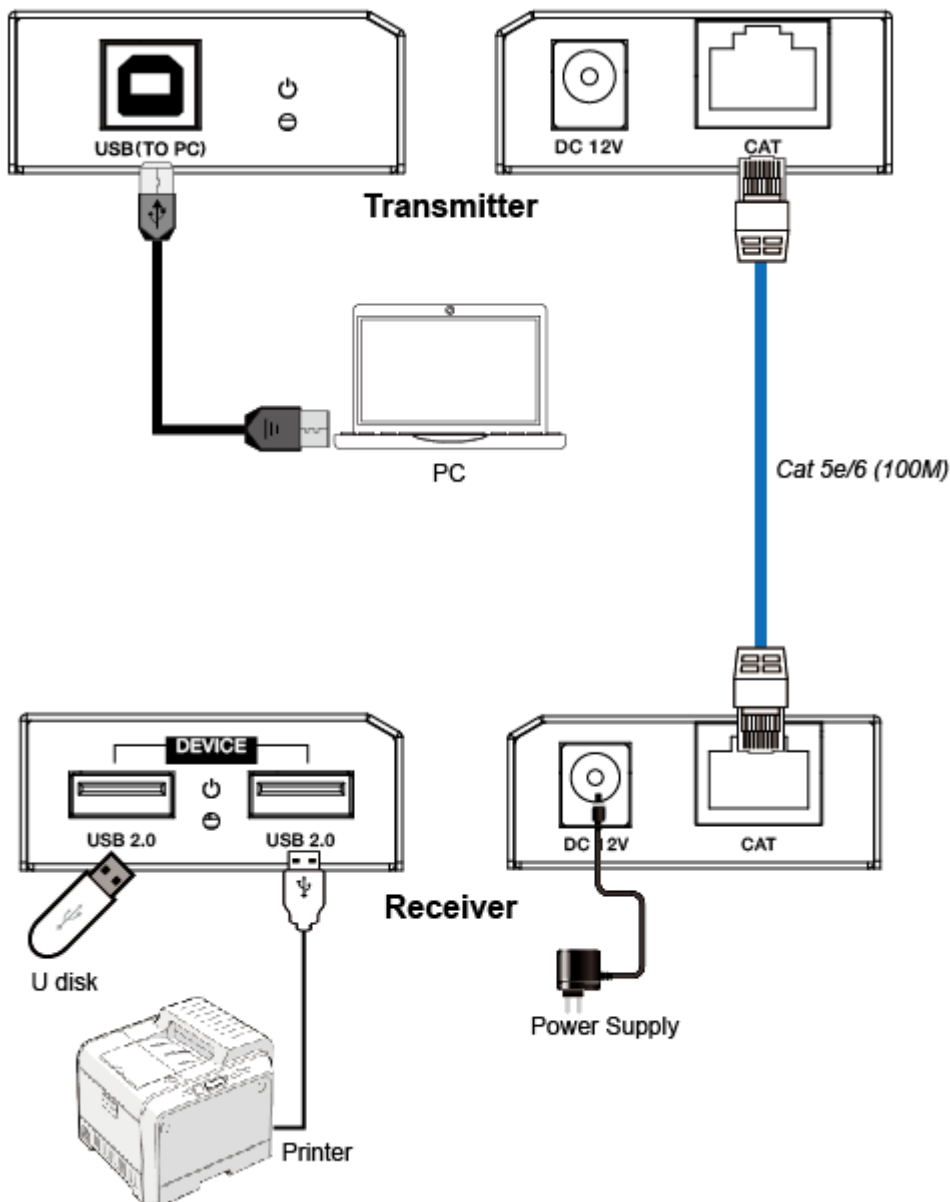
Number	Name	Function description
1	USB 2.0 port	Connect to a device with USB port such as printer or U disk, etc.

Model : ATZ UCE202

Description: 2 Ports USB2.0 Cat.6 Extender, PoC (100m)

2	POWER LED	Power LED indicator. The green LED will illuminate when the receiver is connected power supply.
3	DC 12V	Plug 12V/1A DC power supply into the unit and connect the adapter to an AC outlet.
4	CAT port	The CAT port is connected transmitter's CAT port by CAT 5e/6 cable.

Product Diagram:



Model : ATZ UCE202

Description: 2 Ports USB2.0 Cat.6 Extender, PoC (100m)

Package Includes:

- 1x USB 2.0 Extender (Transmitter)
 - 1x USB 2.0 Extender (Receiver)
 - 1x USB cable (USB-B male head to USB-A male head, one meter)
 - 1x 12V/1A Locking Power Adapter
 - 1x User Manual
-

Warranty: 2 Years

Warranty is effective from the date of original delivery.

This warranty shall be void if a serial number has been removed from the product.