

Model : ATZ LK1701SWPD-SD-4K

Description : 17.3" UHD LCD Console Drawer + multi input HDMI, DP, Audio, USB Hub - 3840 x 2160 (Short Depth Version)
- Optimize rack space. Maximize rack monitoring -



↑
(USB Port for device access)



Model : ATZ LK1701SWPD-SD-4K

Description : 17.3" UHD LCD Console Drawer + multi input HDMI, DP, Audio, USB Hub - 3840 x 2160 (Short Depth Version)
- Optimize rack space. Maximize rack monitoring -

Features:

- 1U 17.3 inch widescreen LCD Console Drawer
- HDMI 1.4 & Display Port 1.2
- 4K resolution 3840 x 2160
- Support FHD with 1080p resolution.
- Front 1xUSB, Rear 2xUSB 2.0 Type A, Sharing USB peripheral Device for computer (ex, flash disk, hard driver, KB/Mouse)
- 104-key keyboard with touch pad mouse.
- USB 2.0 Keyboard & Mouse
- Self-locking and auto release rails for ultra convenience.
- Build in 2x 2 watts speakers

Options:

- Composite Video input
- DVI, VGA input
- 3G / HD / SD -SDI Broadcast grade input
- 48V, 24V or 12V DC Power

Specifications:

Part No.		ATZ LK1701SWPD-SD-4K
Direct no. of Computers		1
KVM Connectors		HDMI 1.4, Display port 1.2, USB
LCD	Size	17.3"
	Backlight	LED
	Resolution	4K resolution 3840 x 2160
	Max.color	16.7M
	Luminance	400cd/m2

Model : ATZ LK1701SWPD-SD-4K

Description : 17.3" UHD LCD Console Drawer + multi input HDMI, DP, Audio, USB Hub - 3840 x 2160 (Short Depth Version)
- Optimize rack space. Maximize rack monitoring -

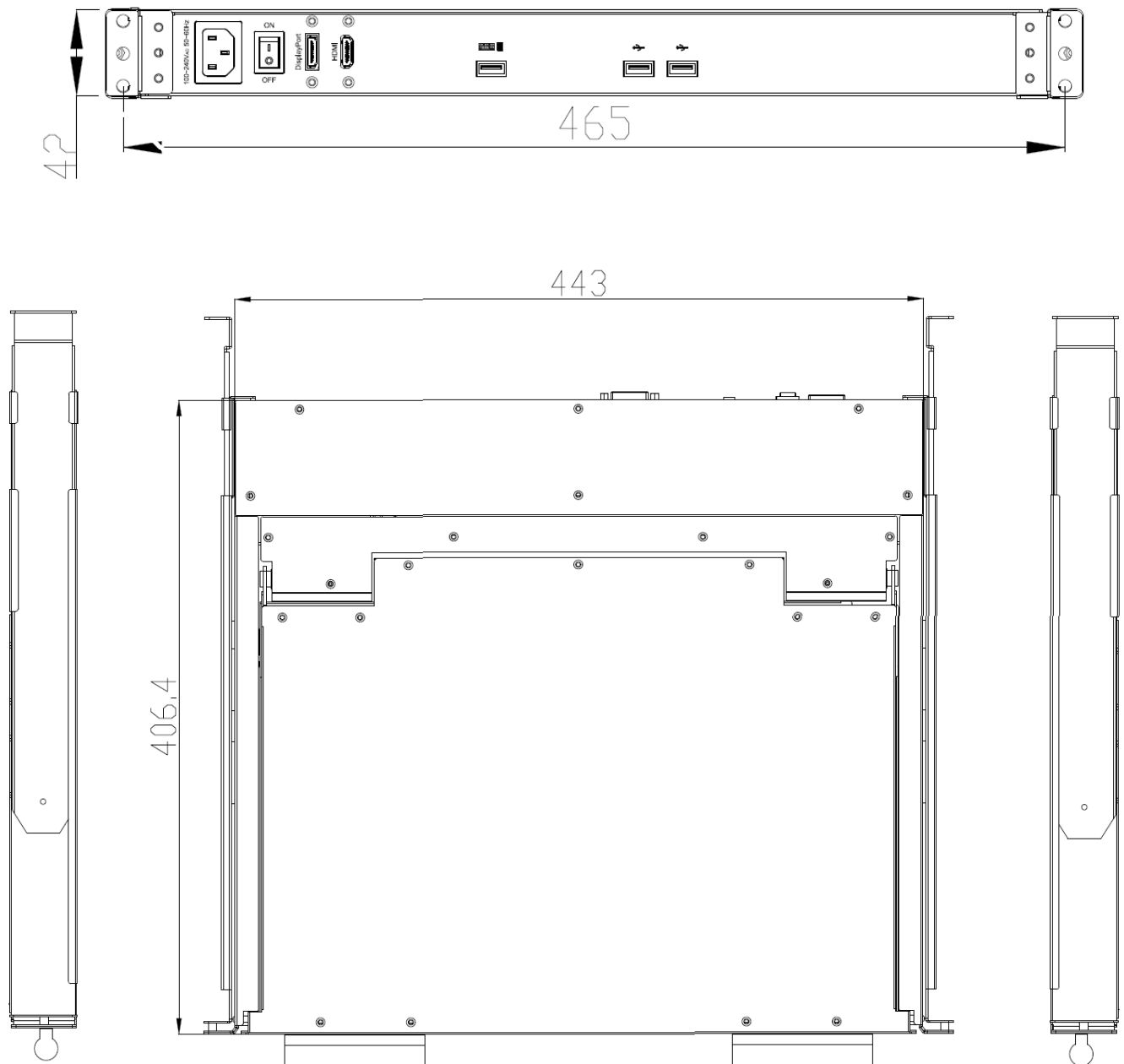
	View Angel (H/V)	178 / 178
	Contrast Ratio	1000 : 1
USB HUB		1x Front , 2x Rear USB 2.0 Type A for peripheral USB devices
Touch Screen		YES , for option (Driver needed)
KB/Mouse Emulation		USB 2.0
Audio		1 x 3.5 mm audio jack
Rack Depth		380mm to 620mm (rack cabinet front rails to rear rails)
Power		100-240V AC 50/60Hz via IEC Type power cord
Environment		Operation temp: 0 to 50°C Storage temp: -20 to 60°C Humidity: 10% - 90%, non-condensing Shock: 10G acceleration (11ms duration) Vibration: 17 to 500Hz 1G PTP
Physical Dimensions/ Net Weights		443x42x406mm (WxHxD) /9.7KG
Packing Dimensions/ Gross weights		605x168x700mm (WxHxD) /13KG
Accessory		
1x 1.8 meter IEC Type Power Cord 1x 1.8 meter HDMI Cable, 1x 1.8 meter Display Port Cable, 1x 1.8 meter USB Cable 1x 1.8 meter Audio Cable		

Model : ATZ LK1701SWPD-SD-4K

Description : 17.3" UHD LCD Console Drawer + multi input HDMI, DP, Audio, USB Hub - 3840 x 2160 (Short Depth Version)
- Optimize rack space. Maximize rack monitoring -

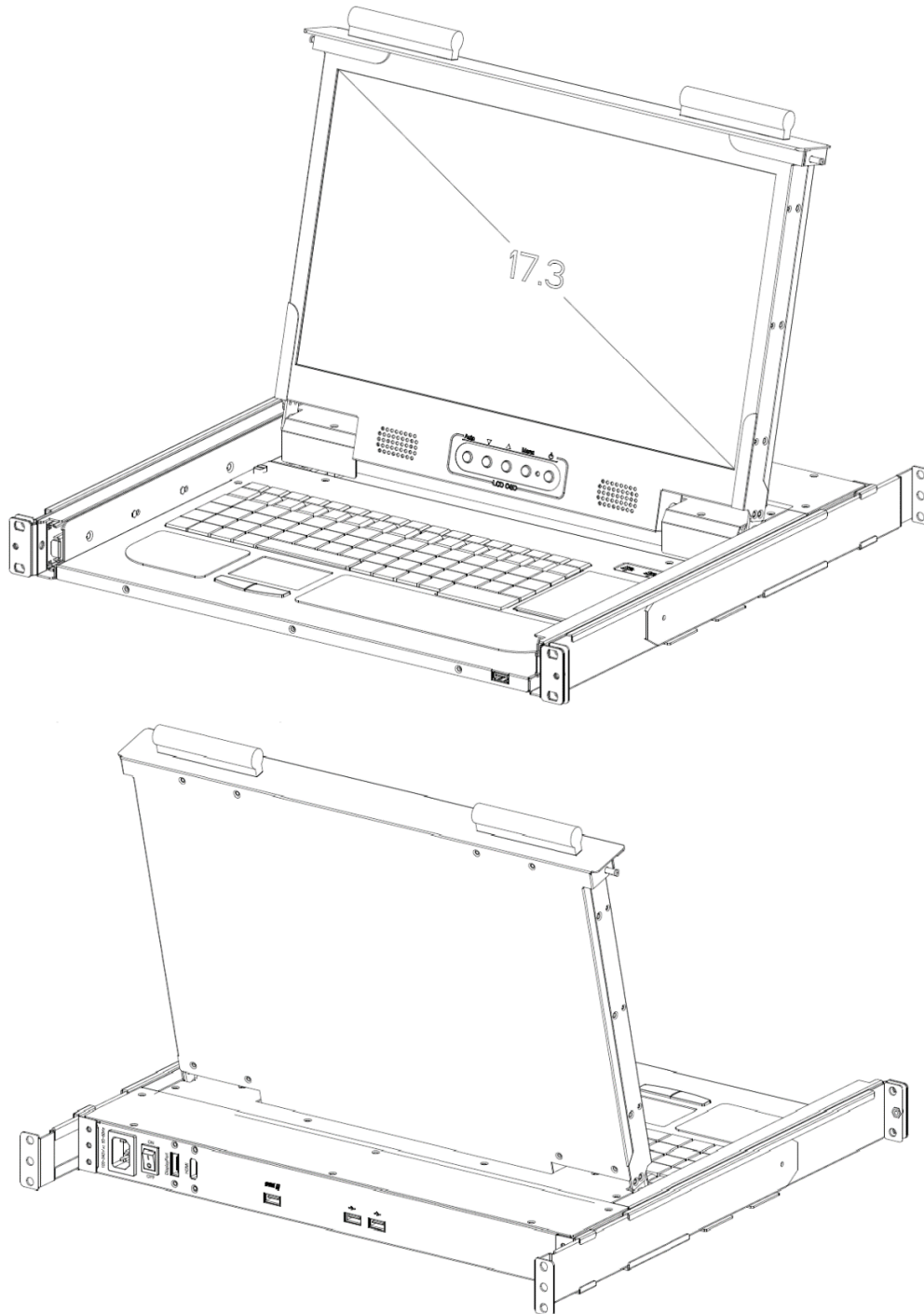
Product Diagram:

Rear of ATZ LK1701SWPD-SD-4K



Model : ATZ LK1701SWPD-SD-4K

Description : 17.3" UHD LCD Console Drawer + multi input HDMI, DP, Audio, USB Hub - 3840 x 2160 (Short Depth Version)
- Optimize rack space. Maximize rack monitoring -



Model : ATZ LK1701SWPD-SD-4K

Description : 17.3" UHD LCD Console Drawer + multi input HDMI, DP, Audio,
USB Hub - 3840 x 2160 (Short Depth Version)
- Optimize rack space. Maximize rack monitoring -

Warranty: 3 Years

Warranty is effective from the date of original delivery.

This warranty shall be void if a serial number has been removed from the product.