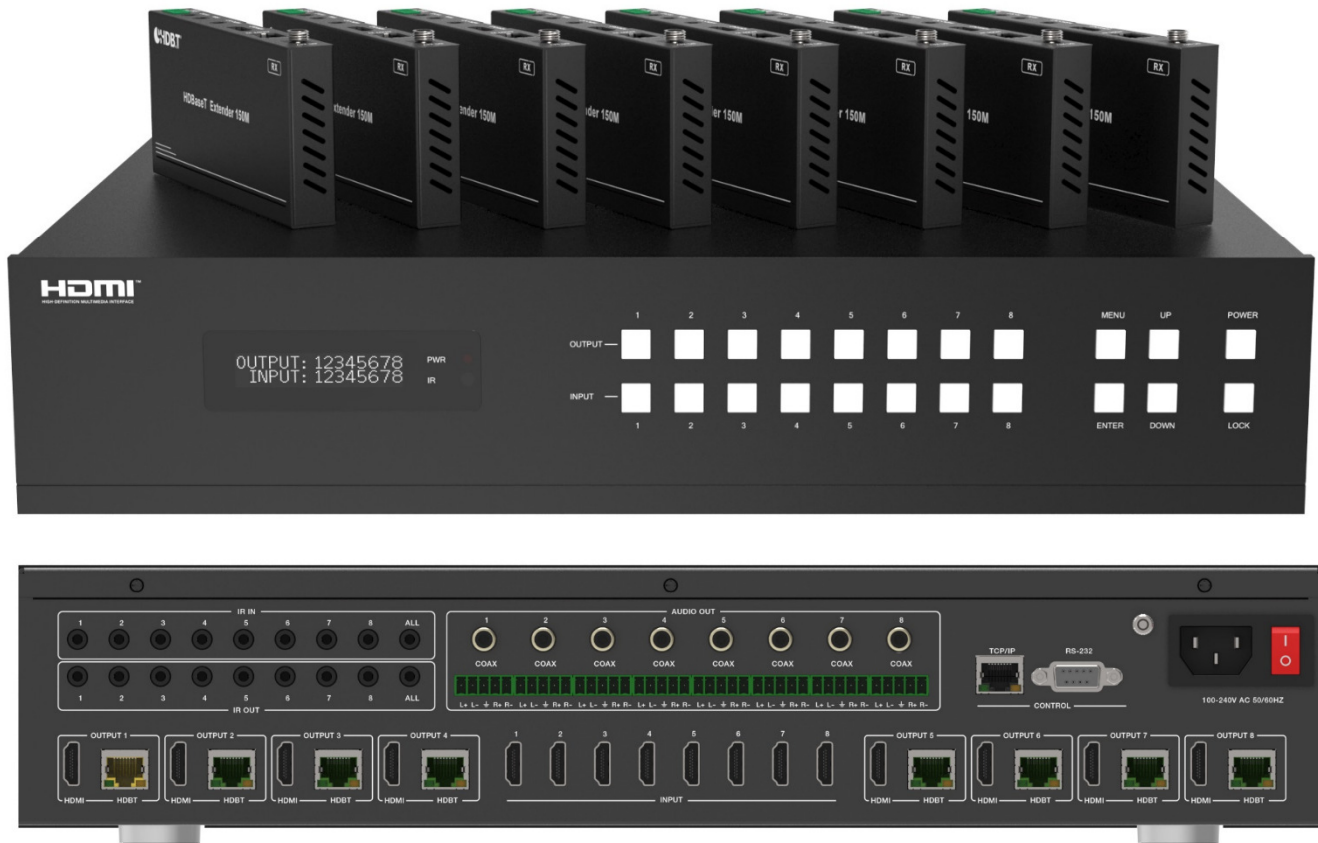


Model : ATZ HDMI-V2-88HE150

Description: 8x8 Matrix Switch over HDBaseT™ w/8x HDBaseT Receiver Box
150m 18Gbps 4K2K@60Hz 4:4:4



This 18Gbps 8x8 HDBaseT(150M) Matrix can connect 8 HDMI sources to 16 displays. It features 8 HDMI outputs and each HDMI output is mirrored to provide a CAT-Cable output which runs simultaneously. HDBaseT output can extend video transmission distance up to 492ft / 150m via a single Cat 5e/6/7 cable and the resolution is up to 4K2K@60Hz 4:4:4. Audio de-embedded to analog and coaxial audio is supported. Each HDMI output supports 4K2K to 1080P downscaler independently.

The product supports IR matrix. The IR signal is one-to-one control at the Matrix end, but the IR signal follows HDMI video channel at the HDBaseT Receiver end.

The product provides an intuitive set of front panel with OLED screen and supports control via front panel buttons, IR remote, RS-232, LAN, and Web GUI.

Model : ATZ HDMI-V2-88HE150

Description: 8x8 Matrix Switch over HDBaseT™ w/8x HDBaseT Receiver Box
150m 18Gbps 4K2K@60Hz 4:4:4

Features:

- HDMI 2.0b, HDCP 2.2 and HDCP 1.x compliant
- Video resolution up to 4K2K@60Hz (YUV 4:4:4) on all HDMI & HDBaseT ports
- 8 HDMI inputs, 8 HDMI & HDBaseT mirrored outputs
- HDMI ports transmit 18Gbps lossless uncompressed video bandwidth
- Support 18Gbps lossless compressed HDBaseT signal transmission
- Support 4K->1080P Down Scaler for each output port
- HDR, HDR10, HDR10+, Dolby Vision, HLG are supported
- HDBaseT output can extend video transmission distance up to 492ft / 150m for 1080P or 394ft / 120m for 4K2K via a single Cat 5e/6/7 cable
- HDMI audio pass-through up to 7.1CH HD audio (LPCM, Dolby TrueHD and DTS-HD Master Audio)
- Support IR matrix
- Audio de-embedded is supported via analog and coax ports
- Advanced EDID management and CEC control are supported
- 24V POC on all HDBaseT ports
- 1U rack mounted design with front panel OLED display
- Control via front panel buttons, IR remote, RS-232, LAN and Web GUI

Specifications:

Technical	
HDMI Compliance	HDMI 2.0b
HDCP Compliance	HDCP 2.2 and HDCP 1.x
Video Bandwidth	18Gbps
Video Resolution	Up to 4K2K@50/60Hz (4:4:4)
Color Space	RGB 4:4:4, YCbCr 4:4:4/4:2:2/4:2:0
Color Depth	8-bit, 10-bit, 12-bit (1080p@60Hz) 8-bit (4K2K@60Hz YUV4:4:4) 8-bit, 10-bit, 12-bit (4K2K@60Hz YCbCr 4:2:2/4:2:0)
HDR	HDR10, HDR10+, Dolby Vision, HLG
HDMI Audio Formats	LPCM 2.0/2.1/5.1/6.1/7.1, Dolby Digital, Dolby TrueHD, Dolby Digital Plus(DD+), DTS-ES, DTS HD Master, DTS HD-HRA, DTS-X
Coax Audio Formats	PCM 2.0, Dolby Digital / Plus, DTS 2.0/5.1
Analog	PCM2.0CH

Model : ATZ HDMI-V2-88HE150

Description: 8x8 Matrix Switch over HDBaseT™ w/8x HDBaseT Receiver Box
150m 18Gbps 4K2K@60Hz 4:4:4

Balanced Audio Formats	
Vmax	2Vrms
SNR	>90dB
THD+N Ratio	<0.1% (V_max) 0.001%~0.01% (V_best)
Crosstalk	>80dB
Frequency Response	20Hz~20kHz ±0.5dB
ESD Protection	Human-body Model: ±8kV (Air-gap discharge) , ±4kV (Contact discharge)
Connection	
Matrix	Inputs: 8 x HDMI Type A [19-pin female] Outputs: 8 x HDMI Type A [19-pin female] 8 x HDBaseT port [RJ45] 8 x Coaxial audio [3.5mm Stereo Mini-jack] 8 x balanced analog audio [5-pin Phoenix conn] Controls: 9 x IR IN [3.5mm Stereo Mini-jack] 8 x IR OUT [3.5mm Stereo Mini-jack] 1 x TCP/IP RJ45 1 x RS-232 [D-Sub 9]
HDBaseT Receiver	Input: 1 x HDBT IN [RJ45, 8-pin female] Outputs: 1 x HDMI Type A [19-pin female] 1 x AUDIO OUT [3.5mm Stereo Mini-jack] Controls: 1 x IR IN [3.5mm Stereo Mini-jack] 1 x IR OUT [3.5mm Stereo Mini-jack] 1 x RS-232 [3-pin Phoenix connector] 1 x SERVICE [Mini-USB, Update port]
Mechanical	
Housing	Metal Enclosure
Color	Black
Dimensions	Matrix: 440mm (W) × 374mm (D) × 88.6mm (H) Receiver: 140mm (W) x 65mm (W) x 18mm (W)
Weight	Matrix: 6.54Kg, Receiver: 155g
Power Supply	AC 100 - 240V 50/60Hz
Power Consumption	125W (Max)
Operating	0°C ~ 40°C / 32°F ~ 104°F

Model : ATZ HDMI-V2-88HE150

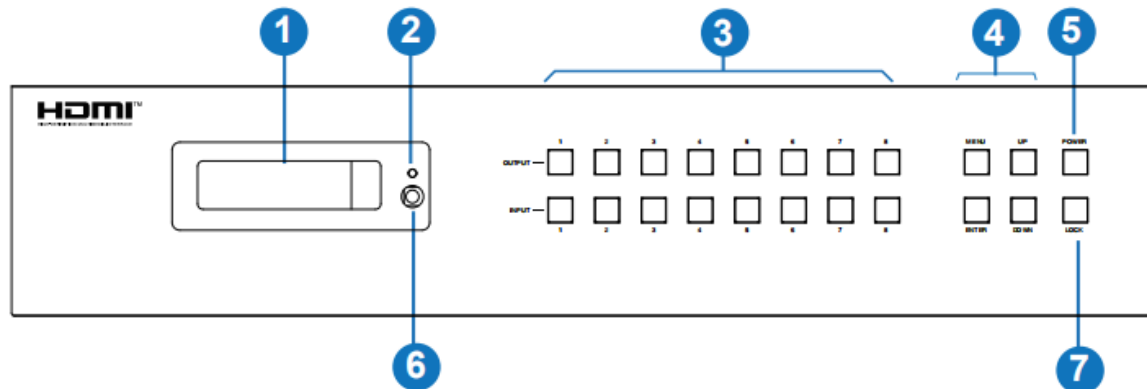
Description: 8x8 Matrix Switch over HDBaseT™ w/8x HDBaseT Receiver Box
150m 18Gbps 4K2K@60Hz 4:4:4

Temperature			
Storage Temperature	-20°C ~ 60°C / -4°F ~ 140°F		
Relative Humidity	20~90% RH (non-condensing)		
Resolution / Distance	4K60 - Feet / Meters		
CAT5e/6/7	492ft / 150M		
Resolution / Cable length	4K60 - Feet / Meters	4K30 - Feet / Meters	1080P60 - Feet / Meters
HDMI IN / OUT	16ft / 5M	32ft / 10M	50ft / 15M
The use of "Premium High Speed HDMI" cable is highly recommended.			

Operation Controls and Functions

Matrix Panel

Front Panel:



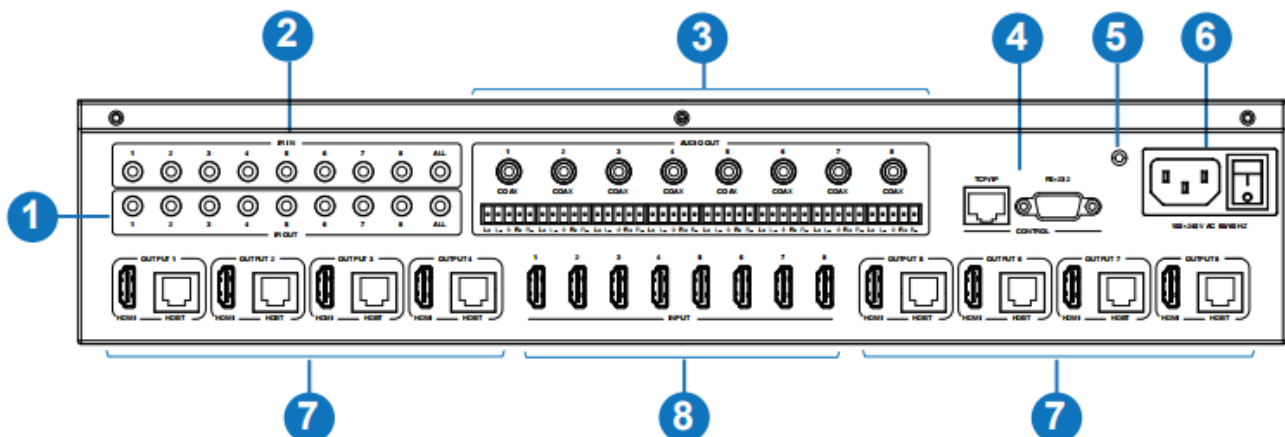
No.	Name	Function Description
1	OLED screen	Display matrix switching status, input / output port, EDID, Baud rate, IP Address.
2	Power LED	The LED will illuminate in green when the product is working normally, and red when the product is on standby.
3	OUTPUT / INPUT buttons	You need to press an output button (1~8) firstly and then press an input button (1~8) to select the corresponding input source for the output port.

Model : ATZ HDMI-V2-88HE150

Description: 8x8 Matrix Switch over HDBaseT™ w/8x HDBaseT Receiver Box
150m 18Gbps 4K2K@60Hz 4:4:4

4	MENU / ENTER / UP / DOWN	<p>① EDID setting: On the initial OLED display screen, press “MENU” button to enter “Select EDID” interface, press “UP/DOWN” button to select the required EDID, and press the “ENTER” button to enter “Copy to Input:” interface. Then press “UP/DOWN” button to select the input port you need to set, and press “ENTER” button again to confirm.</p> <p>② Baud rate setting: On the initial OLED display screen, press “MENU” button twice to enter “SELECT BAUD” interface, and press “UP/DOWN” button to select the required Baud rate, finally press the “ENTER” button to confirm the setting.</p> <p>③ IP Address Check: On the initial OLED display screen, press “MENU” button three times to enter the IP interface and check the current IP address, then press “UP/DOWN” button to switch DHCP ON/OFF, finally press the “ENTER” button to confirm the setting. Pressing the “MENU” button again will return to the initial OLED display status.</p>
5	POWER button	Press and hold the POWER button for 3 seconds to enter the standby mode, then press the button again to wake up the device.
6	IR Window	IR receiver window, it only receives the IR remote signal from this product.
7	LOCK button	Press the LOCK button to lock front panel buttons (Except the power button); Press the button again to unlock.

Rear Panel:



No.	Name	Function Description
1	IR OUT (1-8/ ALL) ports	Connect to IR blaster cable, the IR emit signal is from the “IR IN” port of the HDBaseT Receiver.
2	IR IN (1-8/ALL)	Connect to IR receiver cable, the IR receive signal will emit to the “IR

pg. 5

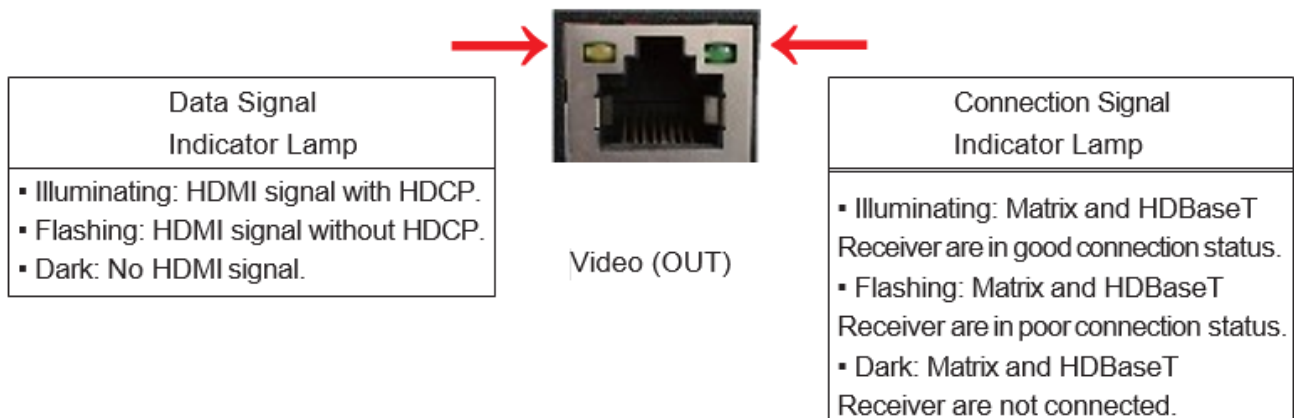
Notes: - All brand names and trademarks are properties of their respective holders and are referred to here for descriptive purpose only. Photo attached is for reference only, it may be slightly varied in items of colour, shape from the actual item delivered from time to time.

All specifications are subject to change without prior notice.
© Copyright ATZ

Model : ATZ HDMI-V2-88HE150

Description: 8x8 Matrix Switch over HDBaseT™ w/8x HDBaseT Receiver Box
150m 18Gbps 4K2K@60Hz 4:4:4

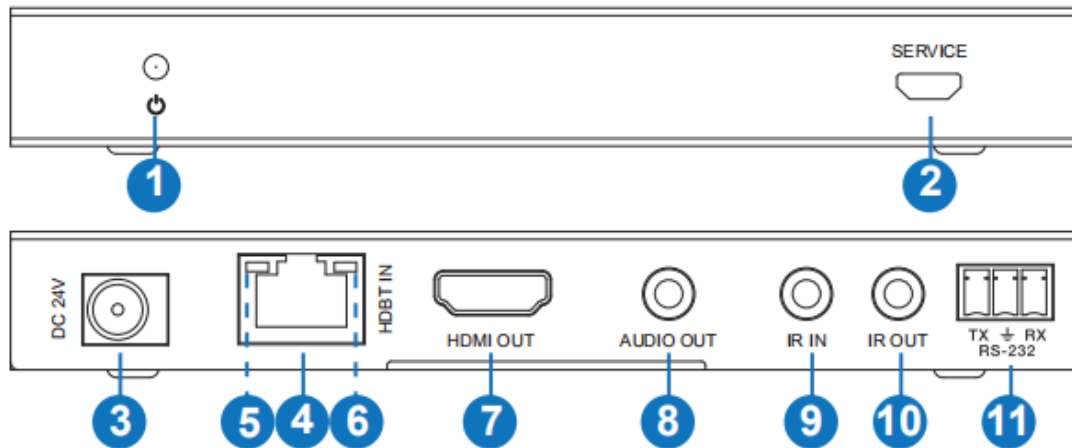
	ports	OUT” port of the HDBaseT Receiver.
3	AUDIO OUT (1-8) ports	8 groups of coaxial and balanced analog audio mirrored output ports. AUDIO OUT (1-8) follows the video output of OUTPUT (1-8) ports.
4	CONTROL ports	TCP/IP: The link port for TCP/IP control. Connect to an active Ethernet link with an RJ45 cable. RS-232: Command control port. Connect to a PC or control system with a D-Sub 9-pin cable to control the Matrix.
5	GND	Connect the housing to the ground.
6	POWER input	Power port: Connect to 100~240V AC 50/60Hz power cable. Power switch: Press the switch to turn on/off the power.
7	OUTPUT (1-8) ports	HDMI output ports, connect to HDMI display device such as TV or monitor with an HDMI cable. HDBT mirrored output ports, connect to HDBaseT Receiver via CAT cable.
8	INPUT (1-8) ports	HDMI input ports, connect to HDMI source device such as DVD or PS4 with an HDMI cable.



Model : ATZ HDMI-V2-88HE150

Description: 8x8 Matrix Switch over HDBaseT™ w/8x HDBaseT Receiver Box
150m 18Gbps 4K2K@60Hz 4:4:4

HDBaseT Receiver Panel

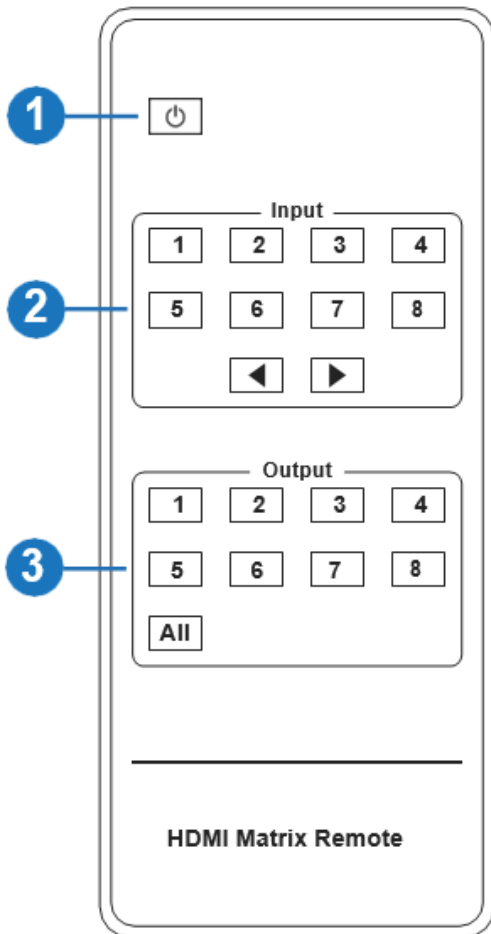


No.	Name	Function Description
1	Power LED	Red LED will be on when the receiver is powered on.
2	SERVICE port	Firmware update port.
3	DC 24V	DC 24V/1A power supply input port. Note: The Matrix supports POC function, it means that either transmitter or receiver is powered on by 24V/1A power adapter, the other one doesn't need power supply.
4	HDBT IN	RJ45 connector for connecting the HDBT OUTPUT port of Matrix with a CAT cable.
5	Connection Signal Indicator lamp	<ul style="list-style-type: none"> ▪ Illuminating: Matrix and Receiver are in good connection status. ▪ Flashing: Matrix and Receiver are in poor connection status. ▪ Dark: Matrix and Receiver are not connected.
6	Data Signal Indicator	<ul style="list-style-type: none"> ▪ Illuminating: HDMI signal with HDCP. ▪ Flashing: HDMI signal without HDCP. ▪ Dark: No HDMI signal.
7	HDMI OUT	HDMI output port, connect to HDMI display device such as TV or monitor with HDMI cable.
8	AUDIO OUT	Analog audio output port. The audio is extracted from HDMI signal.
9	IR IN	Connect to IR receiver cable, the IR receive signal will emit to the "IR OUT" port of the Matrix.
10	IR OUT	Connect to IR blaster cable, the IR emit signal is from the "IR IN" port of the Matrix.
11	RS-232	Connect to a PC or control system with a 3-pin phoenix connector cable to transmit command between the Matrix and HDBaseT Receiver.

Model : ATZ HDMI-V2-88HE150

Description: 8x8 Matrix Switch over HDBaseT™ w/8x HDBaseT Receiver Box
150m 18Gbps 4K2K@60Hz 4:4:4

IR Remote



① **Power on or Standby:** Power on the Matrix or set it to standby mode.

② **Input 1/2/3/4/5/6/7/8:** Select input source button. ◀ ▶: Select the last or next input source button.

③ **Output 1/2/3/4/5/6/7/8 button:** Select output source button.

All: Select all output source simultaneously. For example, when you press the “All” button and then press input “1” button, at this time the input “1” source will output to all display devices.

Operation instruction: You need to press the output button firstly and then press input button to select the corresponding input source. For example, Press Output-X

(X means output button from 1 to 8, including “All” button)
Then press Input-Y

(Y means input button from 1 to 8)

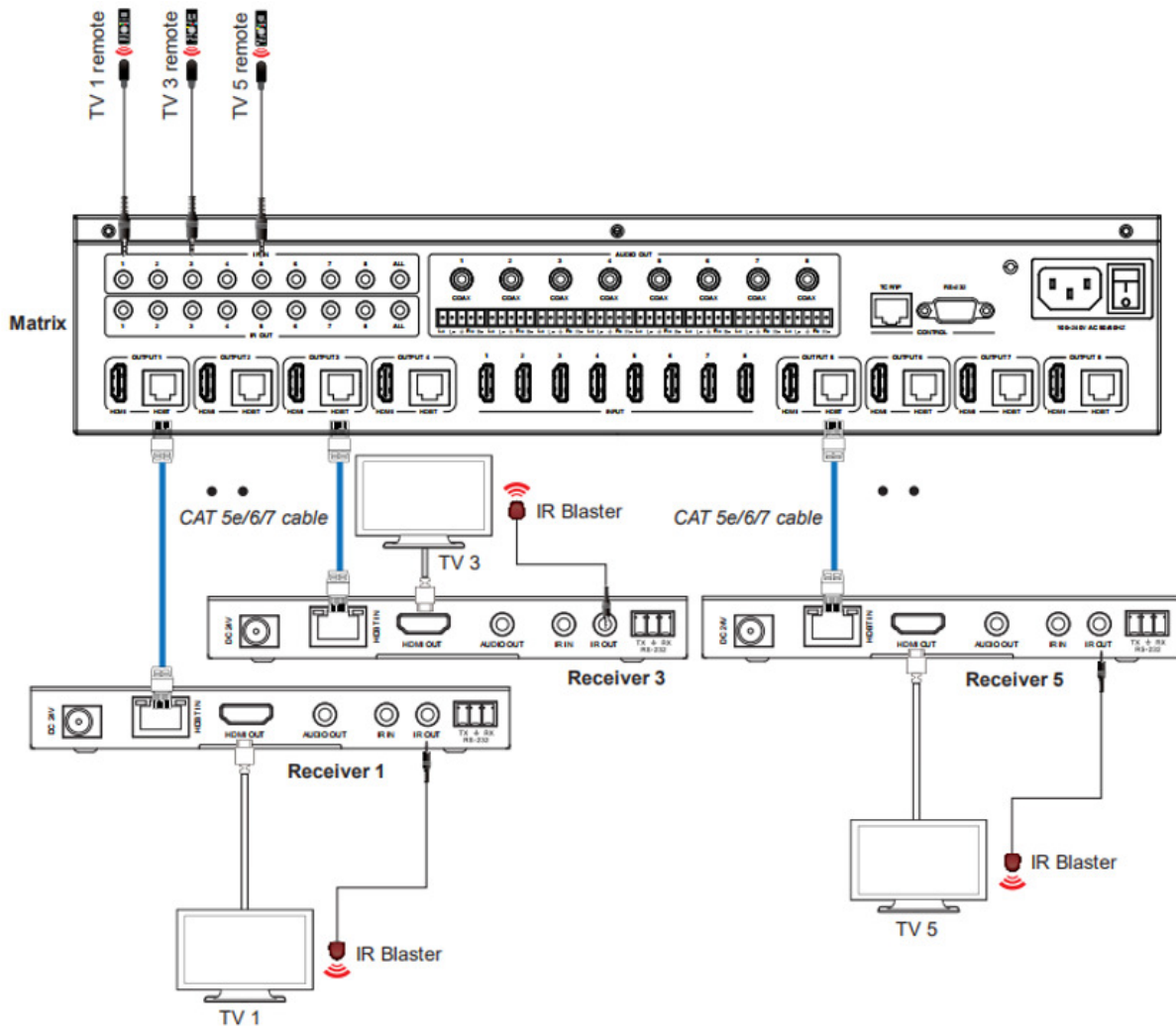
IR Control System

The product is not only a matrix switch but also an extender. It supports bi-directional IR control. When Matrix is connected to HDBaseT Receiver through Cat 5e/6/7 cable, you can control remote display device (HDBaseT) or input source device (Matrix) through IR signal transmission. But you must note that the IR signal transmission method is different from the method from Matrix (local) to HDBaseT Receiver (remote) and from HDBaseT Receiver (remote) to Matrix (local).

At the Matrix end (Local end): the IR signal is one-to-one transmission. For example, the IR IN 1 port signal of the Matrix will emit to IR OUT port of the HDBaseT Receiver 1, and the IR IN 3 port signal of the Matrix will emit to IR OUT port of the HDBaseT Receiver 3. It doesn't follow the video switch to change. IR IN ALL port signal of the Matrix will emit to all IR OUT ports of HDBaseT receivers simultaneously. Please see the following connection diagram

Model : ATZ HDMI-V2-88HE150

Description: 8x8 Matrix Switch over HDBaseT™ w/8x HDBaseT Receiver Box
150m 18Gbps 4K2K@60Hz 4:4:4



IR connection diagram (Matrix end)

Model : ATZ HDMI-V2-88HE150

Description: 8x8 Matrix Switch over HDBaseT™ w/8x HDBaseT Receiver Box
150m 18Gbps 4K2K@60Hz 4:4:4

At HDBaseT receiver (Remote end): IR signal follows video switch to change. For example, the HDMI output signal on the HDBaseT Receiver 1 is from the HDMI INPUT 2 port, so IR input signal of the HDBaseT Receiver 1 will emit to IR OUT 2 port of the Matrix. The HDMI output signal on the HDBaseT Receiver 5 is from the HDMI INPUT 4 port. Then, IR input signal of the HDBaseT Receiver 5 will emit to IR OUT 4 port of the Matrix etc. Any of HDBaseT Receiver's IR IN signal can output from IR OUT ALL port of the Matrix and the IR OUT ALL signal of the Matrix depends on your IR remote of source device. Please see the following connection diagram.

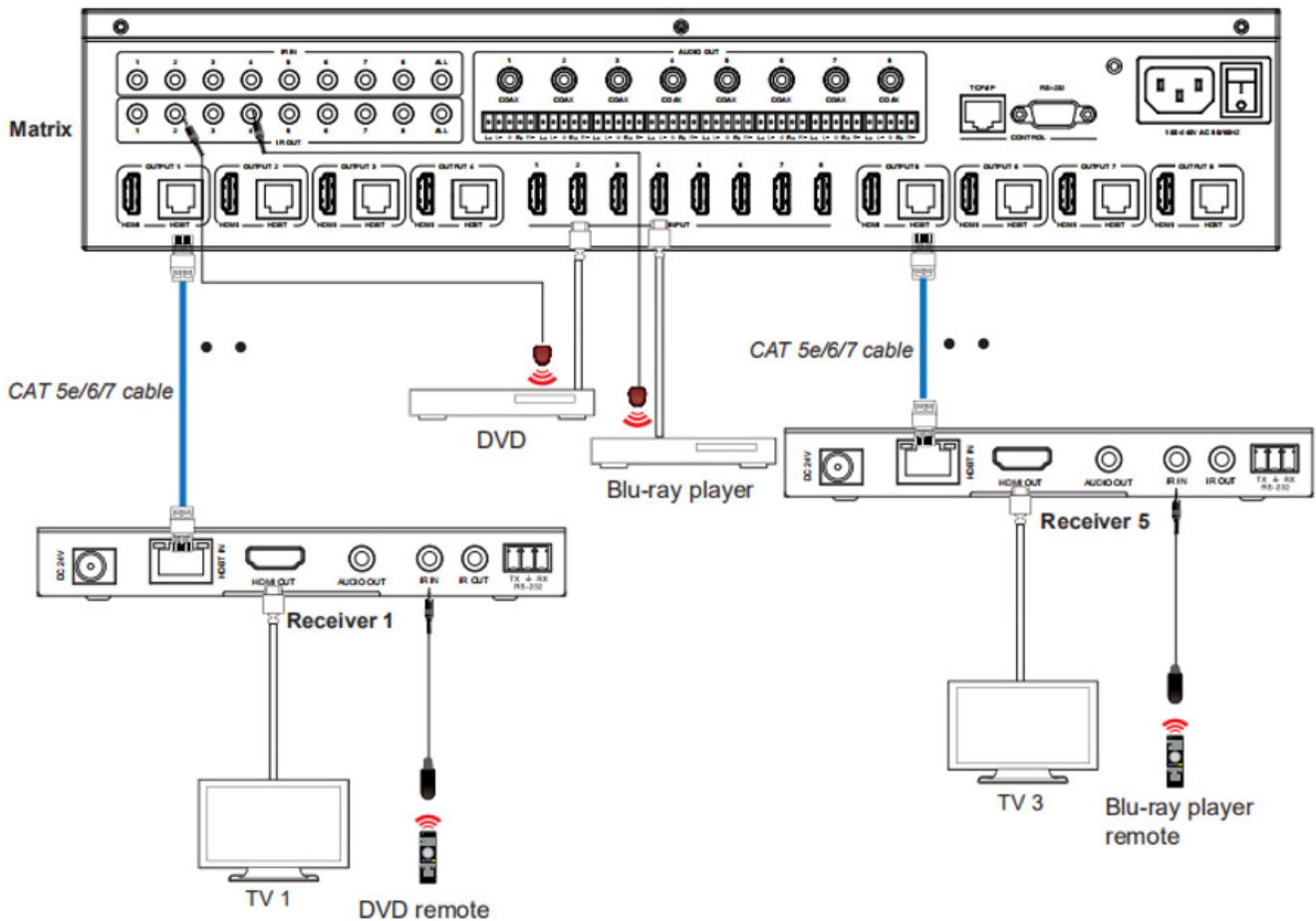
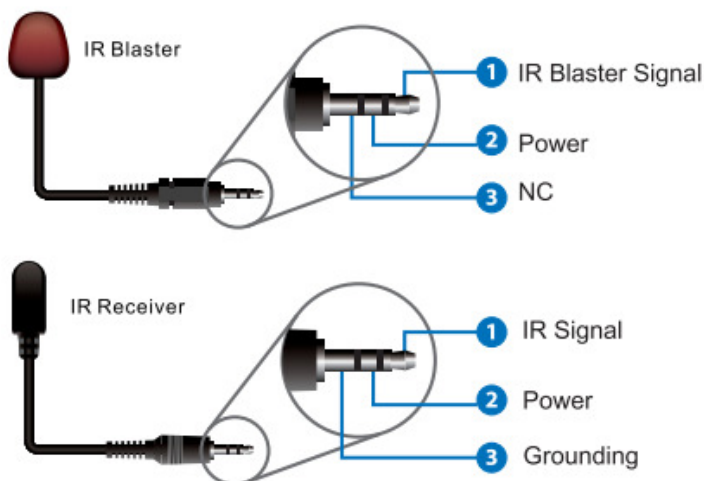


Figure 2: IR connection diagram (HDBaseT Receiver end)

Model : ATZ HDMI-V2-88HE150

Description: 8x8 Matrix Switch over HDBaseT™ w/8x HDBaseT Receiver Box
150m 18Gbps 4K2K@60Hz 4:4:4

IR Cable Pin Assignment



EDID Management

This Matrix has 21 factory defined EDID settings, 2 user-defined EDID modes and 16 copy EDID modes. You can select defined EDID mode or copy EDID mode to input port through on-panel button, RS-232 control or Web GUI.

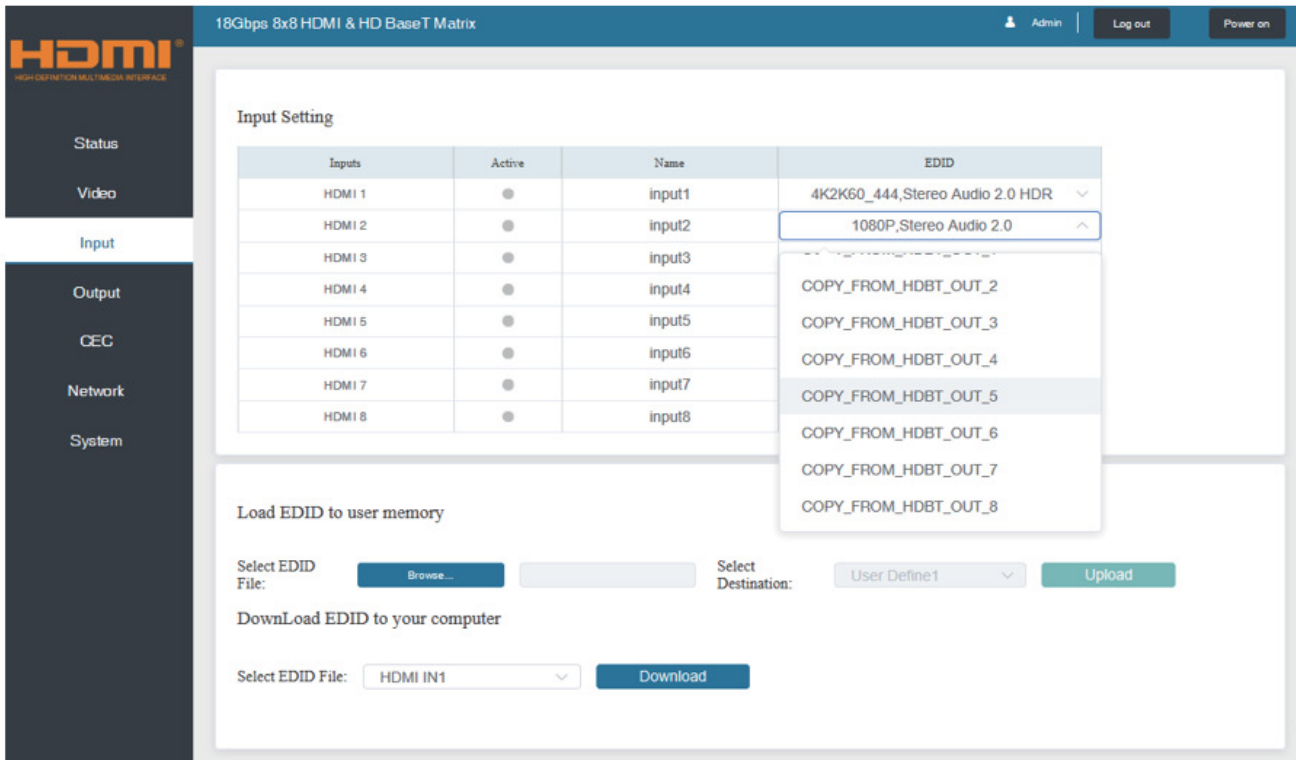
On-panel button operation: On the initial OLED display screen, press “MENU” button to enter the EDID setting interface, press “UP/DOWN” button to select the required EDID, and press the “ENTER” button to enter “Copy to Input:” interface. Then press “UP/DOWN” button to select the input port you need to set, and press “ENTER” button again to confirm this operation.

Model : ATZ HDMI-V2-88HE150

Description: 8x8 Matrix Switch over HDBaseT™ w/8x HDBaseT Receiver Box
150m 18Gbps 4K2K@60Hz 4:4:4

RS-232 control operation: Connect the Matrix to PC with a serial cable, then open a Serial Command tool on PC to send ASCII command “s EDID in x from z!” to set EDID. For details, please refer to “EDID Setting” in the ASCII command list of “11. RS-232 Control Command”.

Web GUI Operation: Please check the EDID management in the “Input page” of “Web GUI User Guide”.



The defined EDID setting list of the product is shown as below:

EDID Mode	EDID Description
1	1080p, Stereo Audio 2.0
2	1080p, Dolby/DTS 5.1
3	1080p, HD Audio 7.1
4	1080i, Stereo Audio 2.0
5	1080i, Dolby/DTS 5.1
6	1080i, HD Audio 7.1
7	3D, Stereo Audio 2.0
8	3D, Dolby/DTS 5.1
9	3D, HD Audio 7.1

Model : ATZ HDMI-V2-88HE150

Description: 8x8 Matrix Switch over HDBaseT™ w/8x HDBaseT Receiver Box
150m 18Gbps 4K2K@60Hz 4:4:4

10	4K2K30_444, Stereo Audio 2.0
11	4K2K30_444, Dolby/DTS 5.1
12	4K2K30_444, HD Audio 7.1
13	4K2K60_420, Stereo Audio 2.0
14	4K2K60_420, Dolby/DTS 5.1
15	4K2K60_420, HD Audio 7.1
16	4K2K60_444, Stereo Audio 2.0
17	4K2K60_444, Dolby/DTS 5.1
18	4K2K60_444, HD Audio 7.1
19	4K2K60, Stereo Audio 2.0 HDR
20	4K2K60, Dolby/DTS 5.1 HDR
21	4K2K60, HD Audio 7.1HDR
22	User define1
23	User define2
24~31	Copy from HDMI OUTPUT 1~8
32~39	Copy from HDBT OUTPUT 1~8

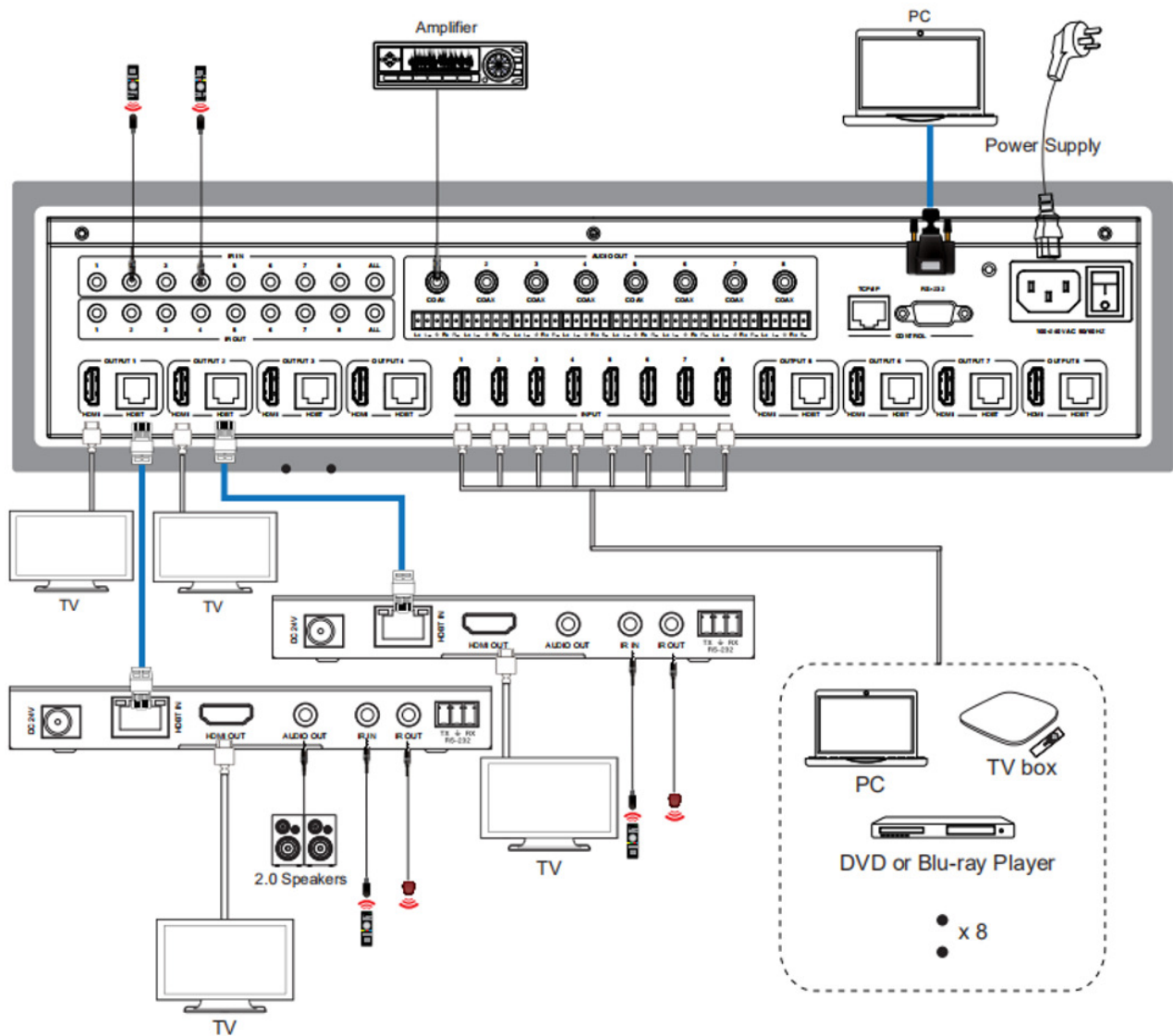
Package Includes:

- 1 x 18Gbps 8x8 HDBaseT (150M) Matrix
- 8 x HDBaseT Receiver
- 1 x Matrix IR Remote
- 1 x 100~240V AC 50/60Hz Power cable
- 1 x RS-232 serial cable (1.5 meters, male to female head)
- 8 x 3-pin Phoenix Connector & 8 x 5-pin Phoenix Connector
- 9 x IR Blaster cable (1.5 meters)
- 9 x IR Receiver cable (1.5 meters)
- 18 x Mounting Ear (Matrix and Receiver)
- 1x User Manual

Model : ATZ HDMI-V2-88HE150

Description: 8x8 Matrix Switch over HDBaseT™ w/8x HDBaseT Receiver Box
150m 18Gbps 4K2K@60Hz 4:4:4

Product Diagram:



Warranty: 2 Years

Warranty is effective from the date of original delivery.

This warranty shall be void if a serial number has been removed from the prod