

**Model** : ATZ FO-HDMI-V2-E1000IR

**Description:** HDMI™ Extender over Optical Fiber 18Gbps 4K2K@60Hz 4:4:4 w/Audio Extraction



### Transmitter

### Receiver



This HDMI Extender can extend HDMI signal up to 3300 feet/1000 meters (over single-mode fiber cable) or 1000 feet/300 meters (over multi-mode fiber cable). Video resolution is up to 4K2K@60Hz 4:4:4. Transmitter supports loop output, audio embedding and EDID management function. Receiver supports audio extracting function. In addition, the extender supports bidirectional IR control and RS-232 signal pass-through. It can allow you to easily control the display device on the signal source side or control the signal source device on the display side when using this extender.

**Model** : ATZ FO-HDMI-V2-E1000IR

**Description:** HDMI™ Extender over Optical Fiber 18Gbps 4K2K@60Hz 4:4:4  
w/Audio Extraction

## Features:

- HDMI 2.0b, HDCP 2.2 and DVI 1.0 compliant
- Support 18Gbps video bandwidth
- Video resolution up to 4k2k@50/60Hz 4:4:4
- HDMI audio formats: LPCM2/5.1/7.1CH, Dolby Digital/Plus/EX, Dolby True HD, DTS, DTS-EX, DTS-96/24, DTS High Res, DTS-HD Master Audio, DSD
- Support 3D and HDR format video, does not support CEC control
- Transmission distance up to 3300 feet/1000 meters (over single-mode fiber cable) or 1000 feet/300 meters (over multi-mode fiber cable) (50/125um/OM3)
- Support bidirectional IR control, RS-232 pass-through and EDID management for simple and convenient control
- Transmitter supports loop output (sharing local HD video and audio) and audio embedding function
- Receiver supports audio extraction output function
- Compact design for easy and flexible installation

## Specifications:

Technical	
HDMI Compliance	HDMI 2.0b
HDCP Compliance	HDCP 2.2
Video Bandwidth	18Gbps
Video Resolution	480i ~1080p50/60Hz, 4Kx2K@24/30Hz, 4k2k@60Hz
Color Space	RGB, YCbCr 4:4:4 / 4:2:2, YUV 4:2:0
Color Depth	8/10/12-bit (1080P60Hz)
	8-bit (4K60Hz)
HDMI Audio Formats	LPCM2/5.1/7.1CH, Dolby Digital/Plus/EX, Dolby True HD,
	DTS, DTS-EX, DTS-96/24, DTS High Res, DTS-HD
	Master Audio, DSD
Transmission Distance	Up to 3300 feet/1000 meters over single-mode fiber cable
	Up to 1000 feet/300 meters over multi-mode fiber cable
IR Frequency	20KHz-60KHz
RS-232 Baud Rate	4800-115200bps

**Model** : ATZ FO-HDMI-V2-E1000IR

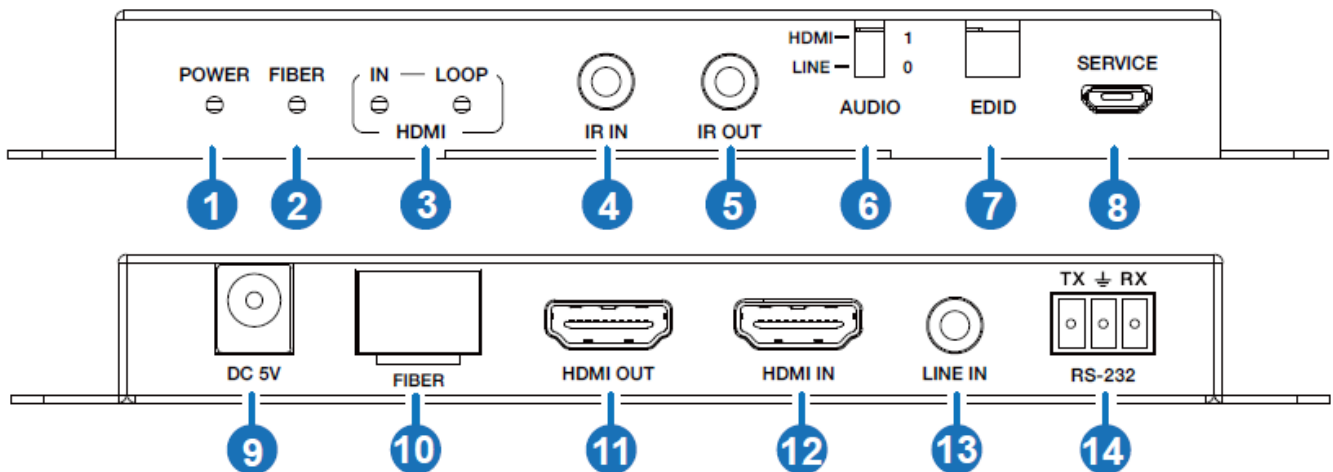
**Description:** HDMI™ Extender over Optical Fiber 18Gbps 4K2K@60Hz 4:4:4  
w/Audio Extraction

ESD Protection	Human body model - ±8kV (Air-gap discharge) & ±4kV (Contact discharge)
<b>Connection</b>	
Transmitter	Input: 1 x HDMI IN [Type A 19-pin female] 1 x LINE IN [3.5mm Stereo Mini-jack] 1 x IR IN [3.5mm Stereo Mini-jack] 1 x RS-232 [3.81mm □ Phoenix connector] 1 x SERVICE [Micro USB, Update port] Output: 1 x HDMI OUT [Type A 19-pin female] 1 x Optical Fiber Out [LC female] 1 x IR OUT [3.5mm Stereo Mini-jack]
Receiver	Input: 1 x Optical Fiber In [LC female] 1 x IR IN [3.5mm Stereo Mini-jack] 1 x SERVICE [Micro USB, Update port] Output: 1 x HDMI OUT [Type A 19-pin female] 1 x RS-232 [3.81mm □ Phoenix connector] 1 x IR OUT [3.5mm Stereo Mini-jack] 1 x AUDIO OUT [3.5mm Stereo Mini-jack]
<b>Mechanical</b>	
Housing	Metal Enclosure
Color	Black
Dimensions	Transmitter / Receiver: 134mm [W] x 68mm [D] x 18mm [H]
Weight	Transmitter: 280g, Receiver: 278g
Power Supply	Input: AC 100 - 240V 50/60Hz Output: DC 5V/1A (US/EU standards, CE/FCC/UL certified)
Power Consumption	Transmitter: 3.85 W (Max), Receiver: 2.7 W (Max)
Operating Temperature	32 - 104°F / 0 - 40°C
Storage Temperature	-4 - 140°F / -20 - 60°C
Relative Humidity	20 - 90% RH (no condensation)

**Model** : ATZ FO-HDMI-V2-E1000IR

**Description:** HDMI™ Extender over Optical Fiber 18Gbps 4K2K@60Hz 4:4:4  
w/Audio Extraction

## Operation Controls and Functions Transmitter Panel:



No.	Name	Description
1	Power LED	The power indicator is always on when the Transmitter is powered on.
2	FIBER LED	The optical fiber connection indicator is always on when the Transmitter and Receiver establish a normal optical fiber signal connection.
3	HDMI LED	<b>IN:</b> The HDMI signal input indicator is always on when there is signal input on the HDMI IN port. <b>LOOP:</b> The HDMI loop output indicator is always on when the HDMI OUT port of the Transmitter outputs signals to the HDMI display device
4	IR IN	Connect to IR Receiver cable. The IR signal will send to the IR OUT port of the Receiver.
5	IR OUT	Connect to IR Blaster cable. The IR signal is from the IR IN port of the Receiver.
6	AUDIO switch	Switch to select audio signal source (HDMI IN or LINE IN). When there is no video signals input, audio signals can be transmitted separately.

**Model** : ATZ FO-HDMI-V2-E1000IR

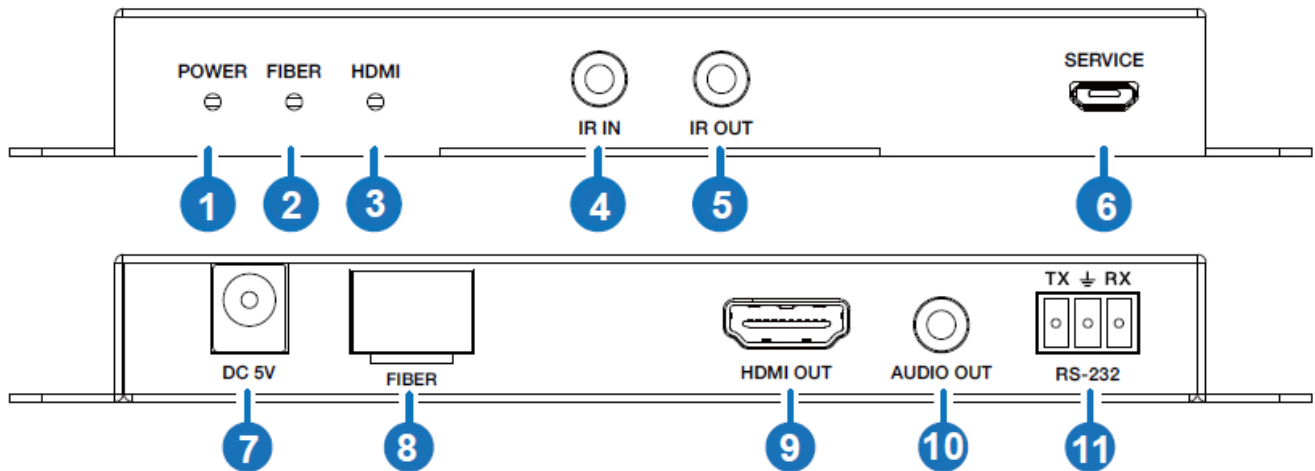
**Description:** HDMI™ Extender over Optical Fiber 18Gbps 4K2K@60Hz 4:4:4  
w/Audio Extraction

<b>7</b>	EDID DIP switch	Dial the switch to set EDID. 11: Copy RX HDMI OUT 10: Copy TX HDMI LOOP OUT 01: 4K60_2CH 00: 1080P_2CH
<b>8</b>	SERVICE port	Firmware update port
<b>9</b>	DC 5V	DC 5V/1A power supply port
<b>10</b>	FIBER	Connect the Transmitter optical fiber module, and transmit signals to the Receiver via an optical fiber cable
<b>11</b>	HDMI OUT	HDMI video loop output port, connect to HDMI display device such as TV or Projector with an HDMI cable.
<b>12</b>	HDMI IN	HDMI signal input port, connect to HDMI source device such as DVD or PC with an HDMI cable
<b>13</b>	LINE IN	Audio signal input port, connect to audio source device such as MP3.
<b>14</b>	RS-232	RS-232 signal pass-through port for transmitting RS-232 command signals between the Transmitter and Receiver

**Model** : ATZ FO-HDMI-V2-E1000IR

**Description:** HDMI™ Extender over Optical Fiber 18Gbps 4K2K@60Hz 4:4:4 w/Audio Extraction

## Receiver Panel:



No.	Name	Description
1	Power LED	The power indicator is always on when the Receiver is powered on.
2	FIBER LED	The optical fiber connection indicator is always on when the Transmitter and Receiver establish a normal optical fiber signal connection.
3	HDMI LED	The HDMI signal output indicator is always on when the HDMI OUT port of the Receiver outputs signals to the HDMI display device.
4	IR IN	Connect to IR Receiver cable. The IR signal will send to the IR OUT port of the Transmitter.
5	IR OUT	Connect to IR Blaster cable. The IR signal is from the IR IN port of the Transmitter.
6	SERVICE port	Firmware update port
7	DC 5V	DC 5V/1A power supply port
8	FIBER	Connect the Receiver optical fiber module, and receive signals from the Transmitter via an optical fiber cable
9	HDMI OUT	HDMI signal output port, connect to HDMI display device such as HDTV or Projector with an HDMI cable.
10	AUDIO OUT	Audio signal extractor output port (extracts HDMI OUT audio signal to audio output device such as amplifier or speaker.
11	RS-232	RS-232 signal pass-through port for transmitting RS-232 command signals between the Transmitter and Receiver

**Model** : ATZ FO-HDMI-V2-E1000IR

**Description:** HDMI™ Extender over Optical Fiber 18Gbps 4K2K@60Hz 4:4:4 w/Audio Extraction

### IR Pin Definition:

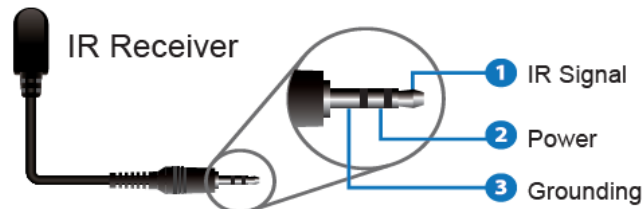
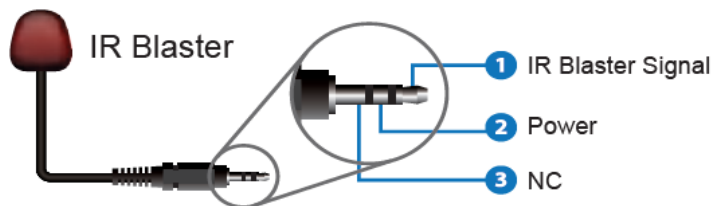
IR Receiver and Blaster pin's definition as below:



IR RECEIVER



IR BLASTER



### Optical Fiber Module:



1



2

1 SFP-BL23TG-10DC (Transmitter)

2 SFP-BL32TG-10DC (Receiver)

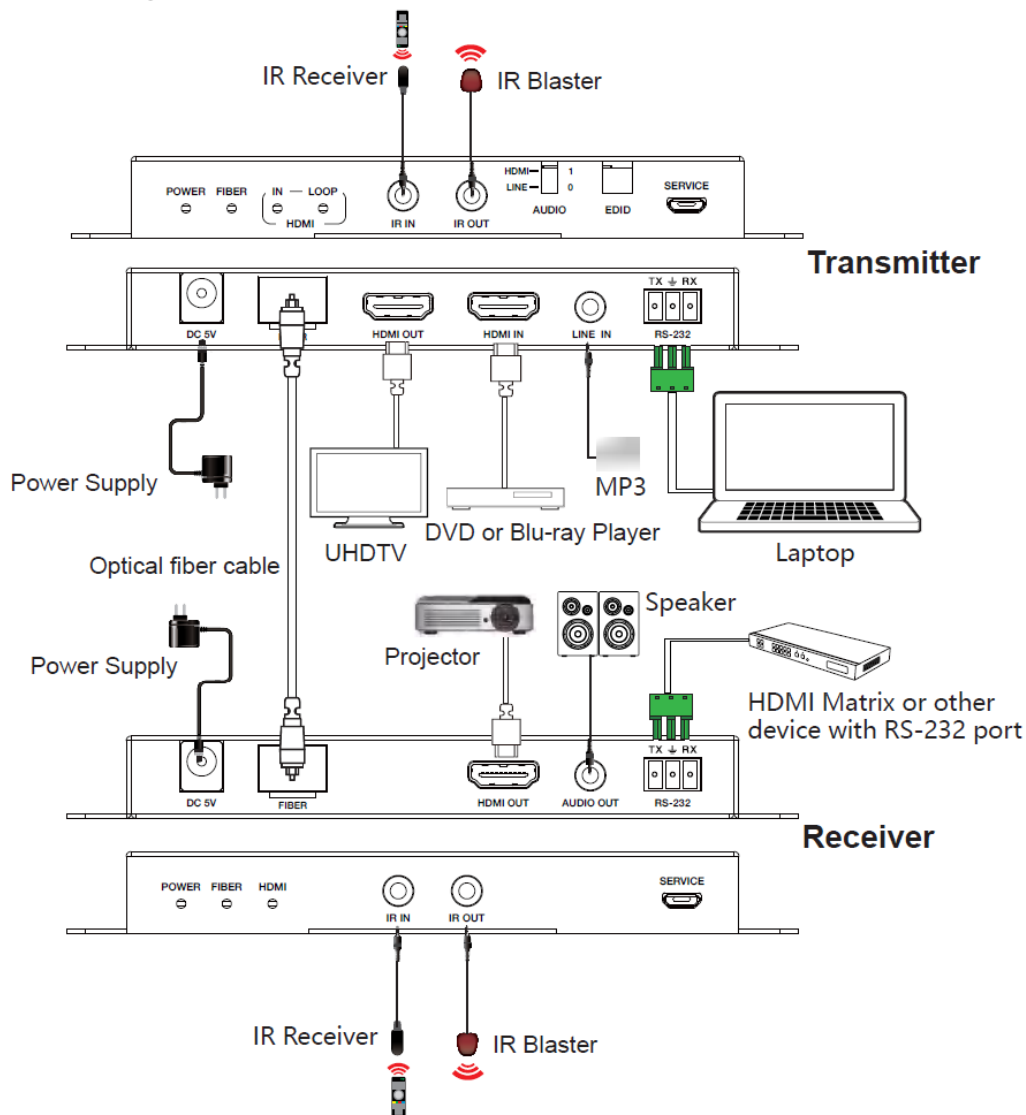
**Model** : ATZ FO-HDMI-V2-E1000IR

**Description:** HDMI™ Extender over Optical Fiber 18Gbps 4K2K@60Hz 4:4:4 w/Audio Extraction

### Package Includes:

- 1× 18Gbps HDMI over Optical Fiber Extender (Transmitter)
- 1× 18Gbps HDMI over Optical Fiber Extender (Receiver)
- 1× IR Blaster cable (1.5 meters)
- 1× IR Receiver cable (1.5 meters)
- 2× 5V/1A Power adapter
- 2× 3-pin 3.81mm Phoenix connector
- 1× User Manual

### Product Diagram:





**Model** : ATZ FO-HDMI-V2-E1000IR

**Description:** HDMI™ Extender over Optical Fiber 18Gbps 4K2K@60Hz 4:4:4  
w/Audio Extraction

---

---

### **Warranty: 2 Year**

Warranty is effective from the date of original delivery.

This warranty shall be void if a serial number has been removed from the product.



HIGH DEFINITION MULTIMEDIA INTERFACE

The terms HDMI and HDMI High-Definition Multimedia interface, and the HDMI Logo are trademarks or registered trademarks of HDMI Licensing LLC in the United States and other countries