

Model : ATZ HDMI-18E70

Description: 1x8 HDMI1.4 Splitter over Cat.6 Extender, w/8x receiver units
(70m@1080P60/40m@4K30)



This HDMI 1x8 Splitter can distribute 1 HDMI source signal to any 8 display devices. Support video resolution up to 4K2K@30Hz 4:4:4. It is designed with 1 HDMI input, 1 HDMI loop output and 8 CAT outputs. The HDMI signal transmission distance can be extended up to 131ft / 40 meters at the resolution of 4K30Hz, or 230ft / 70 meters at 1080P@60Hz via a single CAT6 cable. The product supports one-way IR control signal pass-through and advanced EDID management. It also supports one-way POC function.

Features:

- HDMI 1.4 and HDCP 1.4 compliant
- Video resolution up to 4K2K@30Hz(4:4:4) 8-bit
- Support audio formats: LPCM 7.1CH, Dolby True HD, and DTS-HD Master Audio
- Extend the signal transmission distance up to 131ft / 40 meters at the resolution of 4K30Hz, or 230ft / 70 meters at 1080P@60Hz via a single CAT6 cable
- Support 1 HDMI input, 1 HDMI loop output and 8 CAT outputs.
- Advanced EDID management
- Support 12V POC function (only from transmitter to receiver)
- Compact design for easy and flexible installation

Model : ATZ HDMI-18E70

Description: 1x8 HDMI1.4 Splitter over Cat.6 Extender, w/8x receiver units
(70m@1080P60/40m@4K30)

Specifications:

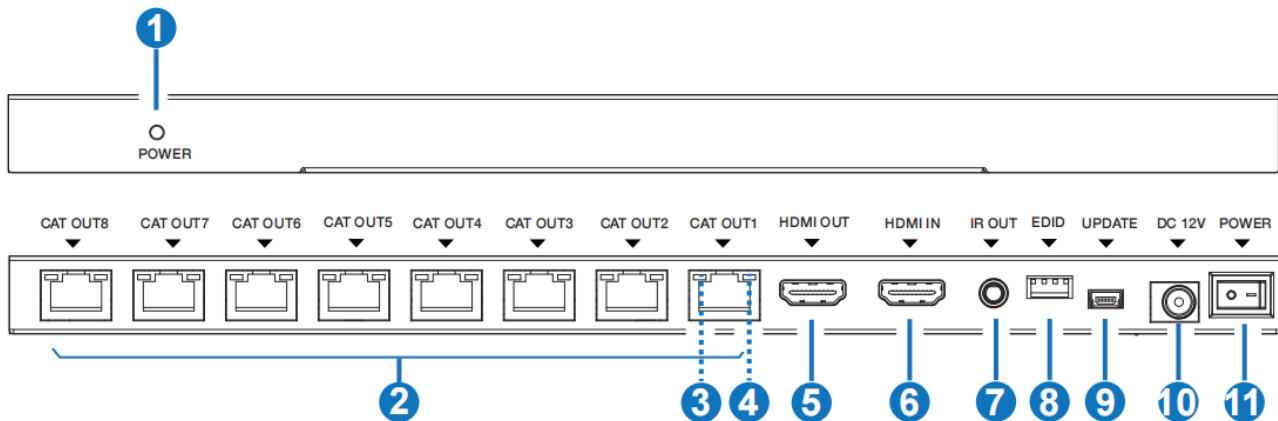
Technical	
HDMI Compliance	HDMI 1.4
HDCP Compliance	HDCP 1.4
Video Bandwidth	297MHz/10.2Gbps
Video Resolution	480i ~1080p50/60Hz, 4Kx2K@30Hz (4: 4: 4)
Color Depth	8-bit,10-bit,12-bit (1080p@60Hz); 8-bit (4K30Hz)
Color Space	RGB, YCbCr_4:4:4/4:2:2. YUV_4:2:0
Audio Formats	LPCM 7.1CH, Dolby True HD, and DTS-HD Master Audio
Transmission Distance	1080P@60--70M, 4K30 --40M
ESD Protection	Human body model—±8kV (Air-gap discharge) & ±4kV (Contact discharge)
Connection	
Transmitter	Input :1xHDMI IN [Type A, 19-pin female] Outputs:1xHDMI OUT [Type A, 19-pin female] 8x CAT OUT [RJ45] Controls:1x IR OUT [3.5mm Stereo Mini-jack] 1x EDID DIP switch [4-pin] 1x Update [Micro USB]
Receiver	Inputs : 1x IR IN [3.5mm Stereo Mini-jack] 1x CAT IN [RJ45, 8-pin female] Output: 1x HDMI OUT [Type A, 19-pin female]
Mechanical	
Housing	Metal Enclosure
Color	Black
Dimensions	Transmitter: 295mm (W) × 82mm (D) × 18mm (H) Receiver: 79.5mm (W) × 69mm (D) × 16.5mm (H)
Weight	Transmitter: 628g; Receiver: 130g
Power Supply	12V/2.5A DC Power (US/EU standards, CE/FCC/RoHs certificated)
Power Consumption	19.2W
Operation Temp.	0°C ~ 40°C / 32°F ~ 104°F
Storage Temperature	-20°C ~ 60°C / -4°F ~ 140°F
Relative Humidity	20~90% RH (non-condensing)

Model : ATZ HDMI-18E70

Description: 1x8 HDMI1.4 Splitter over Cat.6 Extender, w/8x receiver units
(70m@1080P60/40m@4K30)

Operation Controls and Functions

Transmitter Panel:

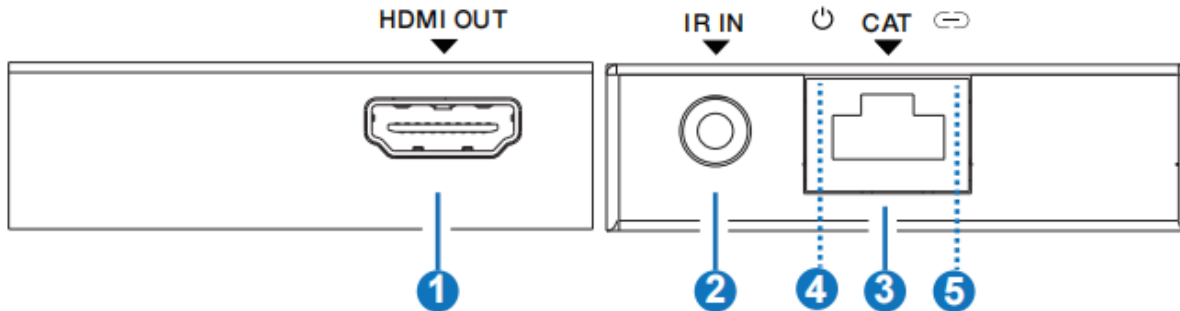


No.	Name	Function Description
1	POWER LED	When the Transmitter is powered on, the red power LED will be on.
2	CAT OUT (1~8)	Connect to the CAT port of the Receiver with a CAT6 cable.
3	Power LED (Green)	Transmitter supports one-way POC function. When it supplies power to the Receiver through a CAT cable, the Power LED will be on.
4	Data Signal Indicator (Yellow)	<ul style="list-style-type: none"> • Illuminating: HDMI signal with HDCP. • Flashing: HDMI signal without HDCP. • Dark: No HDMI signal.
5	HDMI OUT	HDMI loop output port, connect to the HDMI display device such as TV or Monitor with an HDMI cable.
6	HDMI IN	HDMI input port, connect to HDMI source device such as DVD or set-top box with an HDMI cable.
7	IR OUT	Connect to IR blaster cable, the IR signal is from "IR IN" port of the Receiver.
8	EDID DIP Switch	Used to set EDID mode. Please refer to Section "6. EDID Mode" for details.
9	UPDATE	Mini USB update port. Connect to PC for firmware updating.
10	DC 12V	DC 12V Power input port.
11	POWER Switch	Press the switch to power on/off the device ("-" for on, "o" for off).

Model : ATZ HDMI-18E70

Description: 1x8 HDMI1.4 Splitter over Cat.6 Extender, w/8x receiver units
(70m@1080P60/40m@4K30)

Receiver Panel:



No.	Name	Function Description
1	HDMI OUT	HDMI signal output port. Connect to HDMI display device such as HDTV.
2	IR IN	Connect to IR receiver cable, the IR signal will emit to the IR OUT port of the transmitter.
3	CAT	CAT input port. Connect to the CAT output port of the transmitter with a CAT6 cable.
4	Power LED (Green)	When the Receiver is powered on, the LED will be on. The device supports POC function, so the Receiver is powered by the Transmitter through a CAT cable.
5	Data Signal Indicator (Yellow)	<ul style="list-style-type: none"> • Illuminating: HDMI signal with HDCP. • Flashing: HDMI signal without HDCP. • Dark: No HDMI signal.

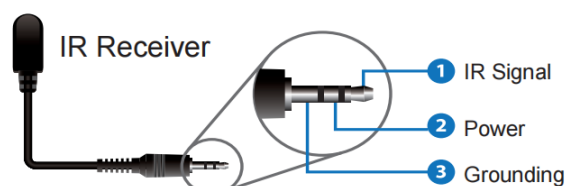
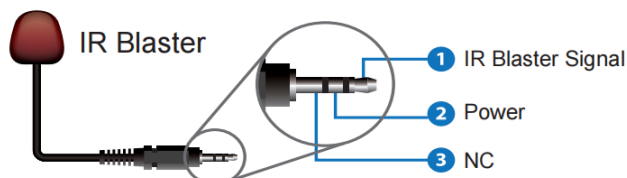
IR Pin Definition:



IR Receiver



IR Blaster



Model : ATZ HDMI-18E70

Description: 1x8 HDMI1.4 Splitter over Cat.6 Extender, w/8x receiver units
(70m@1080P60/40m@4K30)

EDID Mode:

The defined EDID setting list of the product is shown as below:

EDID Mode	EDID Description
0000	1080P, 2CH AUDIO
0001	1080P, DOLBY/DTS5.1
0010	1080P, HD AUDIO
0011	1080i, 2CH AUDIO
0100	1080i, DOLBY/DTS5.1
0101	1080i, HD AUDIO
0110	3D,1080P, 2CH AUDIO
0111	3D,1080P, DOLBY/DTS5.1
1000	3D,1080P, HD AUDIO
1001	4K30, 2CH AUDIO
1010	4K30, DOLBY/DTS5.1
1011	4K30, HD AUDIO
1100	Copy Loop Out
1101	720p, 2CH AUDIO
1110	720p, DOLBY/DTS5.1
1111	720p, HD AUDIO

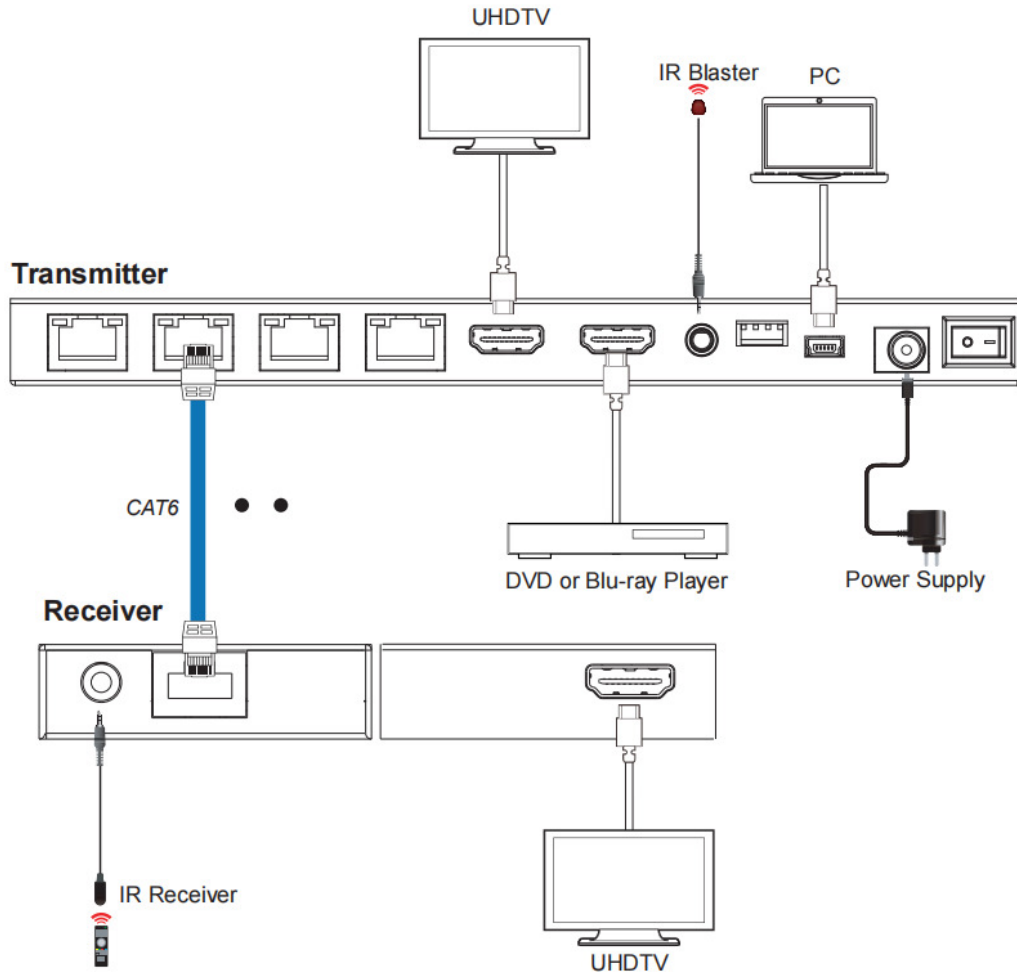
Package Includes:

- 1× HDMI 1×8 Splitter
- 8× CAT Receiver
- 1× IR Blaster Cable (1.5 meters)
- 8× IR Receiver Cable (1.5 meters)
- 2× Mounting Ear
- 1× 12V/2.5A DC Locking Power Adapter
- 8× Machine Screw (KM3*4)
- 1× User Manual

Model : ATZ HDMI-18E70

Description: 1x8 HDMI1.4 Splitter over Cat.6 Extender, w/8x receiver units
(70m@1080P60/40m@4K30)

Product Diagram:



Warranty: 2 Years

Warranty is effective from the date of original delivery.
This warranty shall be void if a serial number has been removed from the product.



The terms HDMI and HDMI High-Definition Multimedia interface, and the HDMI Logo are trademarks or registered trademarks of HDMI Licensing LLC in the United States and other countries