

Model : ATZ NET-RJP-C8-SHB

Description: Cat.8 RJ45 Shielded plug w/load bar+tail



Cat.8 RJ45 connector is developed for Cat.8 Ethernet cable in maintaining ultra-high speed of 25G/40G Base-T speeds with bandwidths of up to 2 GHz.

It provides a strong crimp, and ensures long-life when frequently connected.

Gold plated shield provide protection from interference, and features two piece design with load bar to make installation easier.

Features:

- High quality plug for 40G/2000Mhz performance
- The hole of the load bar is 4 up / 4 down. Load diameter is 1.5mm
- Gold Plated body shielding prevents corrosion & anti-interference
- 50μ" Gold plating contact with three prong design
- Cat.8 shielded modular plug for wire up to OD 1.5mm
- Complies with EIA/TIA-568-B.2-2002, ISO/IEC11801-2002
- Compatible to standard sockets, Standard RJ45 connector, 8P8C wiring
- Application: 10/100M/1G/10G/25G/40G Gigabit Ethernet

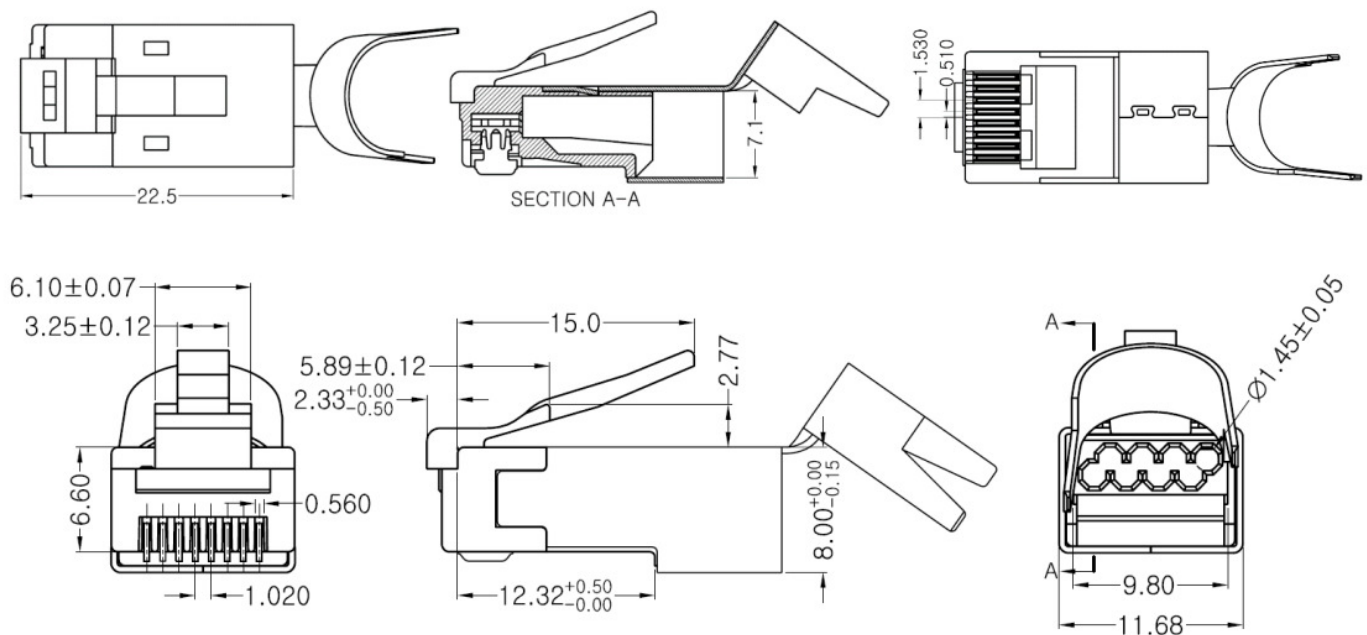
Model : ATZ NET-RJP-C8-SHB

Description: Cat.8 RJ45 Shielded plug w/load bar+tail

Specifications:

- Operation Temperature: -40°C~+85°C.
- Electrical Characteristics:
 - Rated Current: 125VAC, 1.5A @ 25°C.
 - Contact Resistance: 20mΩ Max.
 - Insulation: 500MΩ Min, 100VDC/min.
 - Dielectric: 1000VAC/1min no breakdown.
- Mechanical Characteristics:
 - Insertion Force: 30N Max.
 - Withdrawal Force: 30N Max
 - Durability: 750 cycles Min.
- Environmental compliance:
 - Compliant with the RoHS and REACH.
- CAT8 shielded 2-part modular plug
 - 50U gold-plated pin contacts
 - Gold-plated RJ-45 housing

Product Diagram:



Model : ATZ NET-RJP-C8-SHB

Description: Cat.8 RJ45 Shielded plug w/load bar+tail

