

Model : ATZ HDBT-E70B-ARC

Description: HDBaseT™ Extender over Cat5e/Cat6, 18Gbps 4K@60 with ARC (70m)



This 18Gbps HDBaseT Extender can extend HDMI signal, bi-directional IR control signal, ARC signal and RS-232 control signal to a distance up to 70m / 230ft via a single CAT5e/6 cable. This product converts HDMI signal to standard HDBaseT signal and transmits it through LAN cable. It can easily control signal source device or display device from the remote end through bi-directional IR signal pass-through function. Video resolution up to 4K2K @60Hz. It supports ARC and POC function.

The extender can be widely used in other fields such as video conference system, multimedia signal broadcasting, HDMI signal extension, etc.

Features:

- HDMI2.0b and HDCP 2.2 compliant.
- Support 18Gbps video bandwidth.
- Support video resolution up to 4K2K@60Hz RGB/YCBCR 4:4:4
- The transmission distance can be extended up to 70m / 230ft via a single CAT5e/6 cable.
- Support bi-directional IR and RS-232 control signal pass-through.
- Support ARC function, audio formats support Dolby 5.1, DTS 5.1, PCM2.0, etc.
- Advanced EDID management.
- Support POC (Power over Cable) function.
- Compact design for easy and flexible installation.

Model : ATZ HDBT-E70B-ARC

Description: HDBaseT™ Extender over Cat5e/Cat6, 18Gbps 4K@60 with ARC (70m)

Specifications:

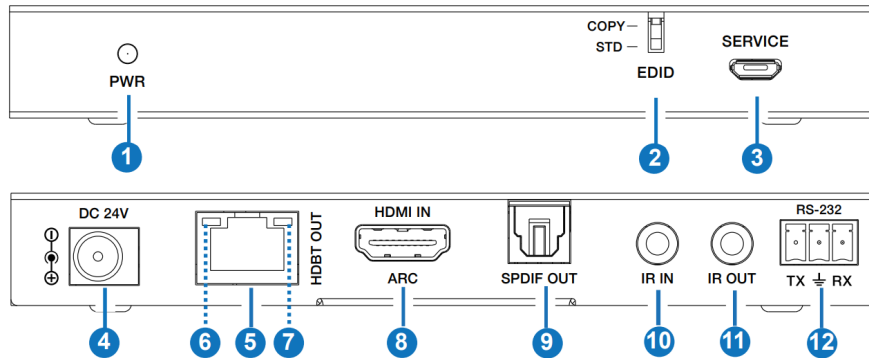
Connection	
Transmitter	Input: 1×HDMI IN [Type A, 19-pin female] Output: 1×HDBT OUT [RJ45] 1×SPDIF OUT Control: 1×RS-232 [3pin-3.81mm Phoenix connector] 1×SERVICE [Micro-USB jack] 1×IR IN [3.5mm Stereo Mini-jack] 1×IR OUT [3.5mm Stereo Mini-jack]
Receiver	Input: 1×HDBT IN [RJ45] 1×SPDIF IN Output: 1×HDMI OUT [Type A, 19-pin female] Control: 1×RS-232 [3pin-3.81mm Phoenix connector] 1×SERVICE [Micro-USB jack] 1×IR IN [3.5mm Stereo Mini-jack] 1×IR OUT [3.5mm Stereo Mini-jack]
Mechanical	
Housing	Metal Enclosure
Color	Black
Dimensions	Transmitter / Receiver: 140mm (W)×65mm (D)×18mm (H)
Weight	Transmitter: 235 g, Receiver: 239 g
Power Supply	DC 24V/1A; Support bi-directional POC function
Power Consumption	9.6 W (max)
Operating Temperature	0°C ~ 40°C / 32°F ~ 104°F
Storage Temperature	-20°C ~ 60°C / -4°F ~ 140°F
Relative Humidity	20~90% RH (non-condensing)

Model : ATZ HDBT-E70B-ARC

Description: HDBaseT™ Extender over Cat5e/Cat6, 18Gbps 4K@60 with ARC (70m)

Operation Controls and Functions

Transmitter Panel:

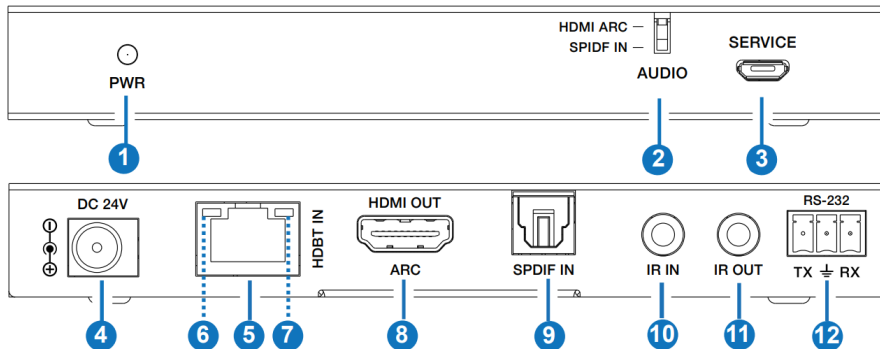


No.	Name	Function Description
1	Power LED	The red LED is on when the Transmitter is powered on.
2	EDID DIP switch	Used for audio EDID setting (dial to COPY by default). COPY: Copy the EDID of the HDMI OUT port of Receiver. STD: Default 1080P 2CH
3	SERVICE	Firmware update port.
4	DC 24V	DC 24V/1A power input port. <i>Note that the extender supports POC function, it means that either Transmitter or Receiver is connected to 24V/1A power supply, the other doesn't need power supply.</i>
5	HDBT OUT	RJ45 connector for connecting the HDBT IN port of the Receiver with CAT5e/6 cable.
6	Link Signal Indicator (Green)	<ul style="list-style-type: none"> • Illuminating: Transmitter and Receiver are in good connection status. • Flashing: Transmitter and Receiver are in poor connection status. • Dark: Transmitter and Receiver are not connected.
7	Data Signal Indicator (Orange)	<ul style="list-style-type: none"> • Illuminating: HDMI signal with HDCP. • Flashing: HDMI signal without HDCP. • Dark: No HDMI signal.
8	HDMI IN	HDMI signal input port. Connect to HDMI source device with HDMI cable.
9	SPDIF OUT	Optical fiber audio signal output port.
10	IR IN	Connect to IR receiver cable, the IR receive signal will emit to the IR OUT port of the Receiver.
11	IR OUT	Connect to IR blaster cable, the IR emit signal is from the IR IN port of the Receiver.
12	RS-232	3-pin Phoenix connector for RS-232 command transmission. The RS-232 command will pass-through between the Transmitter and Receiver.

Model : ATZ HDBT-E70B-ARC

Description: HDBaseT™ Extender over Cat5e/Cat6, 18Gbps 4K@60 with ARC (70m)

Receiver Panel:



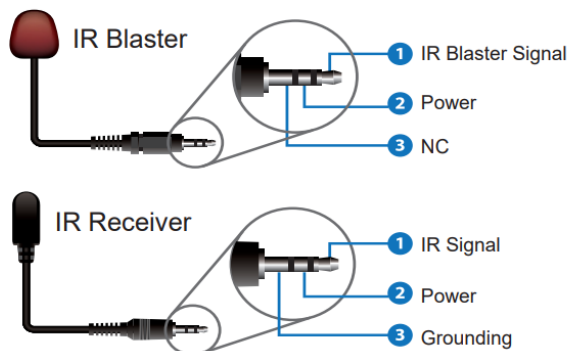
No.	Name	Function Description
1	Power LED	The red LED is on when the Transmitter is powered on.
2	AUDIO DIP switch	<ul style="list-style-type: none"> When the HDMI IN port is connected to a signal source device with ARC function (e.g. Amplifier or Soundbar), the ARC function of the Extender is enable: <ul style="list-style-type: none"> Switch to "HDMI ARC": the audio returned from the HDMI OUT port of Receiver will be output through the HDMI IN port and SPDIF OUT port of the Transmitter. Switch to "SPDIF IN": the audio returned from the SPDIF IN port of Receiver will be output through the HDMI IN port and SPDIF OUT port of the Transmitter. When the HDMI IN port is connected to a common signal source device, the ARC function of the Extender is disable, the audio from the SPDIF IN port of the Receiver will be output through the SPDIF OUT port the Transmitter.
3	SERVICE	Firmware update port.
4	DC 24V	DC 24V/1A power input port. <i>Note that the extender supports POC function, it means that either Transmitter or Receiver is connected to 24V/1A power supply, the other doesn't need power supply.</i>
5	HDBT IN	RJ45 connector for connecting the HDBT OUT port of Transmitter with CAT6/6a cable.
6	Link Signal Indicator (Green)	<ul style="list-style-type: none"> • Illuminating: Transmitter and Receiver are in good connection status. • Flashing: Transmitter and Receiver are in poor connection status. • Dark: Transmitter and Receiver are not connected.
7	Data Signal Indicator (Orange)	<ul style="list-style-type: none"> • Illuminate: HDMI signal with HDCP. • Flash: HDMI signal without HDCP. • Dark: No HDMI signal.
8	HDMI OUT	HDMI signal output port. Connect to HDMI display devices with HDMI cable.
9	SPDIF IN	Optical fiber audio signal input port.
10	IR IN	Connect to the IR receiver cable. The IR signal will send to the IR OUT port of the Transmitter.
11	IR OUT	Connect to the IR blaster cable, the IR signal is from IRIN port of the Transmitter.
12	RS-232	3-pin Phoenix connector for RS-232 command transmission. The RS-232 command will pass-through between the Transmitter and Receiver.

Model : ATZ HDBT-E70B-ARC

Description: HDBaseT™ Extender over Cat5e/Cat6, 18Gbps 4K@60 with ARC (70m)

IR Pin Definition

IR Receiver and Blaster pin's definition is as below:



Note:

When the angle between the IR receiver and the remote control is $\pm 45^\circ$, the transmission distance is 0-5 meters;
When the angle between the IR receiver and the remote control is $\pm 90^\circ$, the transmission distance is 0-8 meters

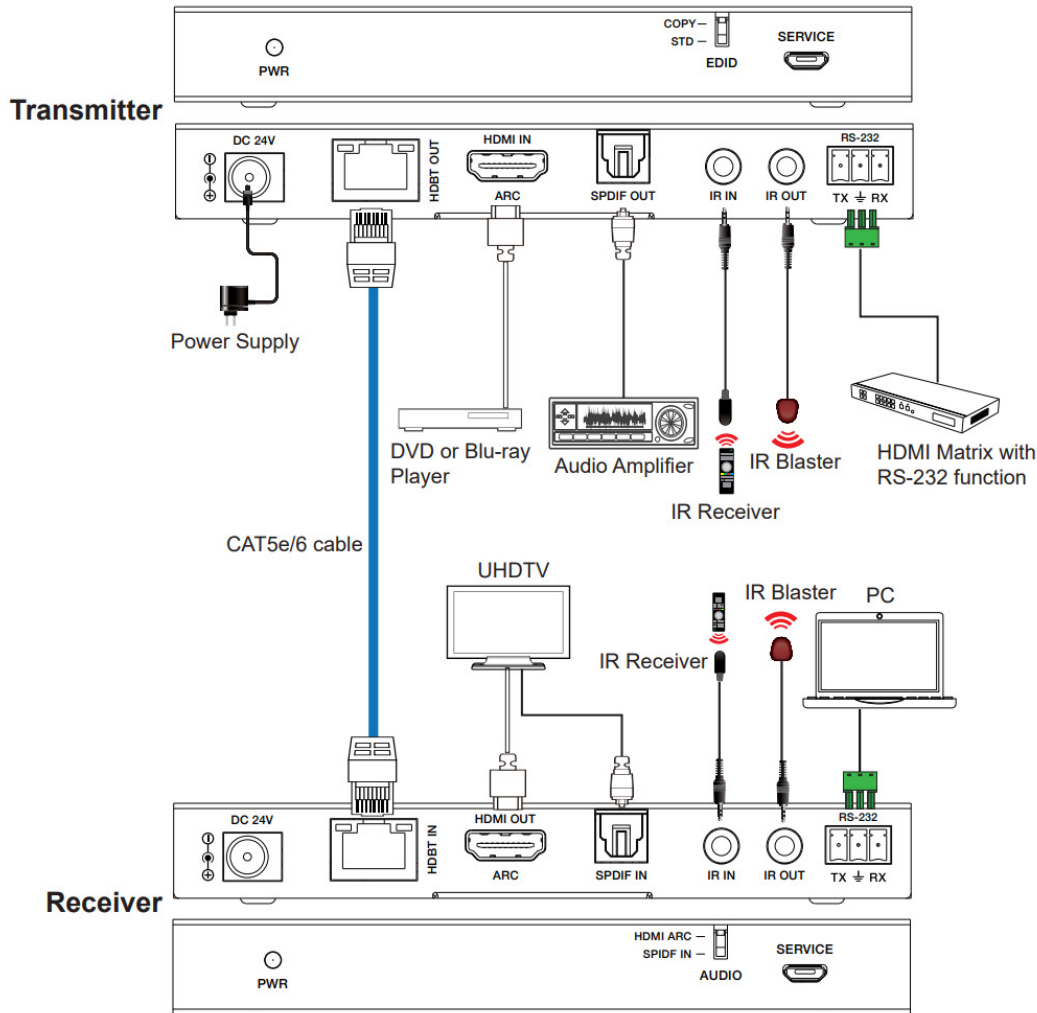
Package Includes:

- 1x 18Gbps HDBaseT Extender (Transmitter)
- 1x 18Gbps HDBaseT Extender (Receiver)
- 1x IR Blaster cable (1.5 meters)
- 1x IR Wideband Receiver cable (1.5 meters)
- 2x 3pin-3.81mm Phoenix Connectors (male)
- 4x Mounting Ears
- 8x Machine Screws
- 1x 24V/1A Locking Power Adapter
- 1x User Manual

Model : ATZ HDBT-E70B-ARC

Description: HDBaseT™ Extender over Cat5e/Cat6, 18Gbps 4K@60 with ARC (70m)

Product Diagram:



Warranty: 2 Years

Warranty is effective from the date of original delivery.

This warranty shall be void if a serial number has been removed from the product.



The terms HDMI and HDMI High-Definition Multimedia interface, and the HDMI Logo are trademarks or registered trademarks of HDMI Licensing LLC in the United States and other countries