

**Model** : ATZ HDMI-V2-E50C-TWRB-UCP

**Description:** HDMI Extender Wall plate (US Style) 18G 4K60 HDMI+USB-C, PD, w/Receiver box (50m)



This wall plate is a 2x1 switcher and CAT transmitter with HDMI and USB-C inputs. It features a US one-gang enclosure for Decora-style wall plate. Supports video resolution up to 4K2K@50/60Hz 4:4:4.

CAT6 output can extend video transmission distance up to 164ft / 50m. The product is remotely powered by the receiver or other CAT-equipped devices via POC.

## Features:

- Compliant with HDMI 2.0b, HDCP 2.2 and Display Port 1.2a
- HDMI input supports 18Gbps video bandwidth;
- USB-C input supports 5.4Gbps video bandwidth
- Video resolution up to 4K2K@50/60Hz 4:4:4
- CAT6 output can extend video transmission distance up to 164ft / 50m for 4K@24 or 115ft / 35m for 4K@60 444 via a single CAT5e/6 cable
- Support 3D, HDR10 and Dolby Vision
- HDMI audio formats support LPCM, Dolby Digital/Plus/EX, Dolby True HD, DTS, DTS-EX, DTS-96/24, DTS High Res, DTS-HD Master Audio, DSD
- Support HDMI and USB-C input

**Model** : ATZ HDMI-V2-E50C-TWRB-UCP

**Description:** HDMI Extender Wall plate (US Style) 18G 4K60 HDMI+USB-C, PD, w/Receiver box (50m)



- With USB-C charging port
- US one-gang enclosure for Decora-style wall plate openings
- Input signal selection supports automatic mode and manual mode
- Support POC function (only from Receiver to Transmitter)

## Specifications:

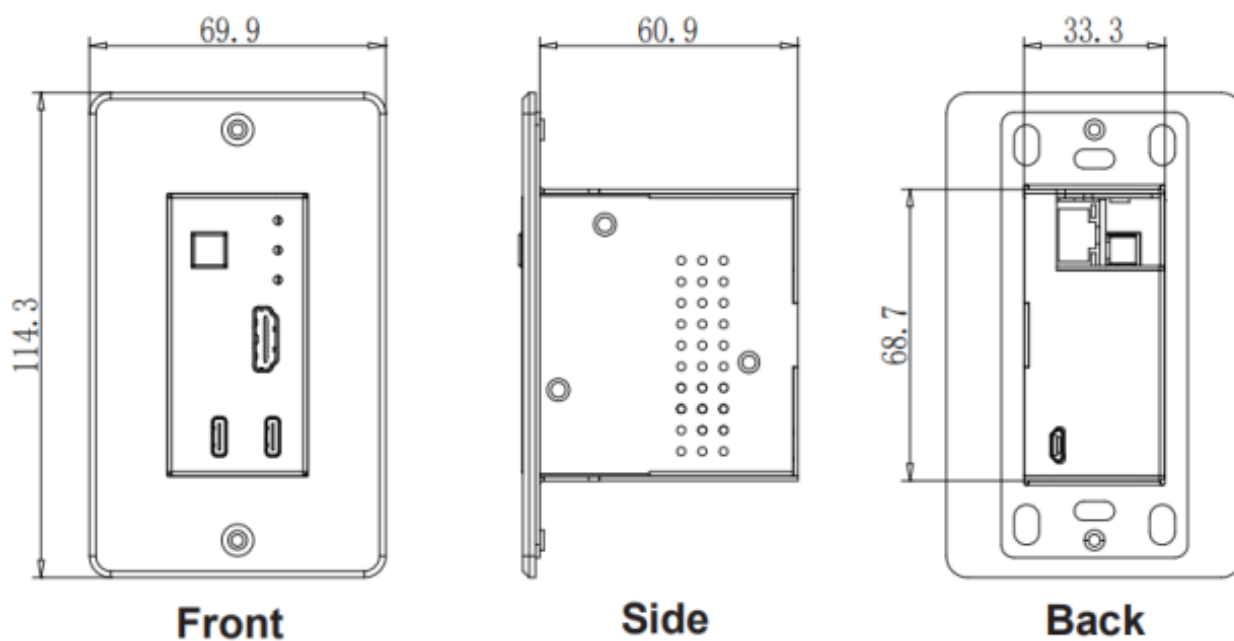
Technical	
HDMI Compliance	HDMI 2.0b
HDCP Compliance	HDCP 2.2
DP Compliance	Display Port 1.2a
Video Bandwidth	USB-C: 5.4 Gbps
	HDMI: 18 Gbps
Video Resolution	480i~1080p50/60Hz, 4Kx2K@24/30Hz, 4k2k@60Hz
Color Space	RGB, YCbCr 4:4:4 / 4:2:2, YUV 4:2:0
Color Depth	8/10/12-bit (1080P@60Hz) 8-bit (4K@60Hz)
HDR	Support
HDMI Audio Formats	LPCM, Dolby Digital/Plus/EX, Dolby True HD, DTS, DTS-EX, DTS-96/24, DTS High Res, DTS-HD Master Audio, DSD
Transmission Distance	Max distance (4K@24) : 164ft / 50m over CAT5e/6 Max distance (4K@60) : 115ft / 35m over CAT5e/6
ESD Protection	Human body model — ±8kV (Air-gap discharge) & ±4kV (Contact discharge)
Connection	
Transmitter	<b>Inputs:</b> 1 x HDMI Type A [19-pin female] 1 x USB-C <b>Outputs:</b> 1 x CAT6 OUT [RJ45, 8-pin female] 1x USB-C (only for charging) <b>Control:</b> 1x FW [Micro USB, Update port]
Receiver	<b>Input:</b> 1x CAT IN [RJ45, 8-pin female] <b>Output:</b> 1x HDMI OUT [Type A, 19-pin female] <b>Controls:</b> 1x IR IN [3.5mm Stereo Mini-jack] 1x SERVICE [Micro USB, Update port]
Mechanical	
Housing	Metal Enclosure

**Model** : ATZ HDMI-V2-E50C-TWRB-UCP

**Description:** HDMI Extender Wall plate (US Style) 18G 4K60 HDMI+USB-C, PD, w/Receiver box (50m)

Color	White / Black
Dimensions	<b>Wall plate:</b> 33.3mm [W] x 65.7mm [D] x 68.7mm [H] <b>Faceplate:</b> 69.9mm [W] x 3mm [D] x 114.3mm [H] <b>Receiver:</b> 88mm (W) x 61mm (D) x 18mm (H)
Weight	Wall plate: 195g, Receiver: 155g
Power Supply	POC (only from Receiver to Transmitter)
Power Consumption	Wall plate: 3W (Max), Receiver: 3.72W (Max)
Operating Temp	32 - 104°F / 0 - 40°C
Storage Temperature	-4 - 140°F / -20 - 60°C
Relative Humidity	20- 90% RH (no condensation)

## Product Dimensions

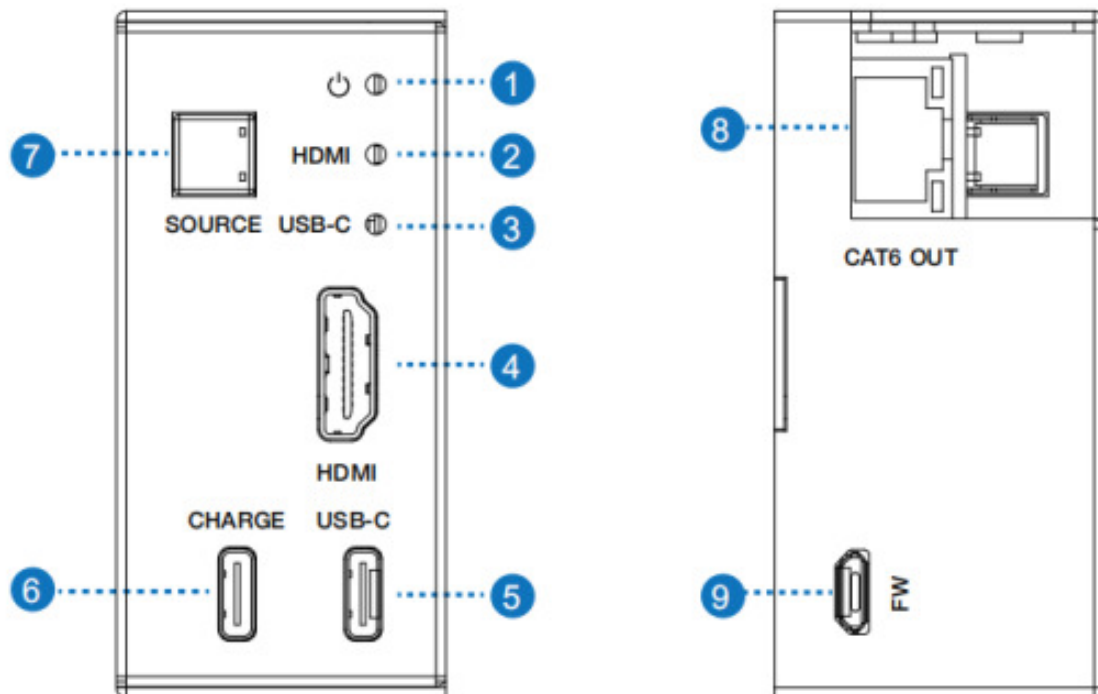


**Model** : ATZ HDMI-V2-E50C-TWRB-UCP

**Description:** HDMI Extender Wall plate (US Style) 18G 4K60 HDMI+USB-C, PD, w/Receiver box (50m)

## Operation Controls and Functions

### Transmitter Panel:

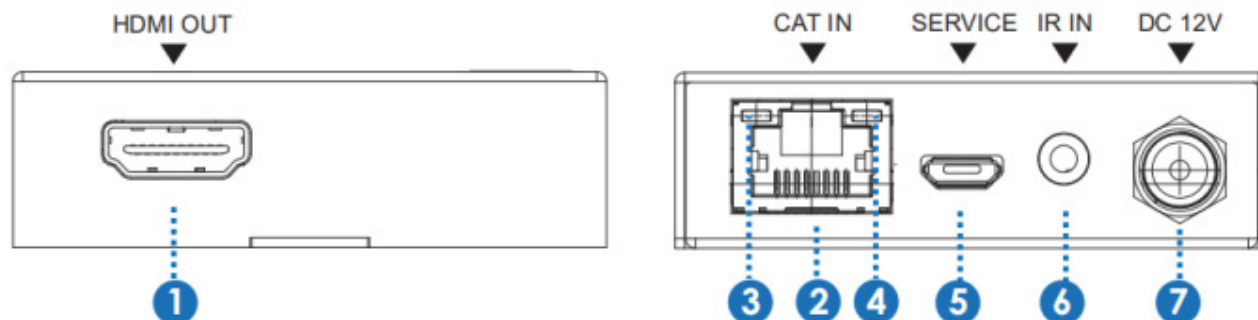


No.	Name	Function Description
1	Power LED	The power LED indicator will illuminate in green when the product is powered on, and red when the product is on standby.
2	HDMI LED	When the HDMI input port is active and the HDMI signal is detected, the green LED will be on.
3	USB-C LED	When the USB-C input port is active and USB-C signal is detected, the green LED will be on.
4	HDMI port	HDMI input port, connect to HDMI source device.
5	USB-C port	(1) USB-C signal input port. (2) Charging port for devices with USB-C port.
6	CHARGE port	Connect this port to power supply, then the USB-C port will power the connected device.
7	SOURCE button	Used to switch HDMI / USB-C input signal.
8	CAT6 OUT	Connect to the CAT IN port of Receiver with a CAT5e/6 cable.
9	FW port	Firmware update port.

**Model** : ATZ HDMI-V2-E50C-TWRB-UCP

**Description:** HDMI Extender Wall plate (US Style) 18G 4K60 HDMI+USB-C, PD, w/Receiver box (50m)

## Receiver Panel



No.	Name	Function Description
1	HDMI OUT	HDMI output port, connect to HDMI display device such as TV or Projector with an HDMI cable.
2	CAT IN	Connect to the CAT6 OUT port on the transmitter with a CAT cable.
3	Power Indicator Lamp (Green)	When the receiver is powered on, the power indicator lamp will be on.
4	Data signal Indicator Lamp (Orange)	When there is signal transmission between the transmitter and the receiver, the lamp will be on.
5	SERVICE port	Used for firmware update.
6	IR IN	IR signal input port. Connect to the IR Receiver cable.
7	DC 12V	Plug DC 12V/1A power supply into the unit and connect the adapter to an AC outlet. (Note: The CAT receiver provides power for the transmitter via a CAT cable. )

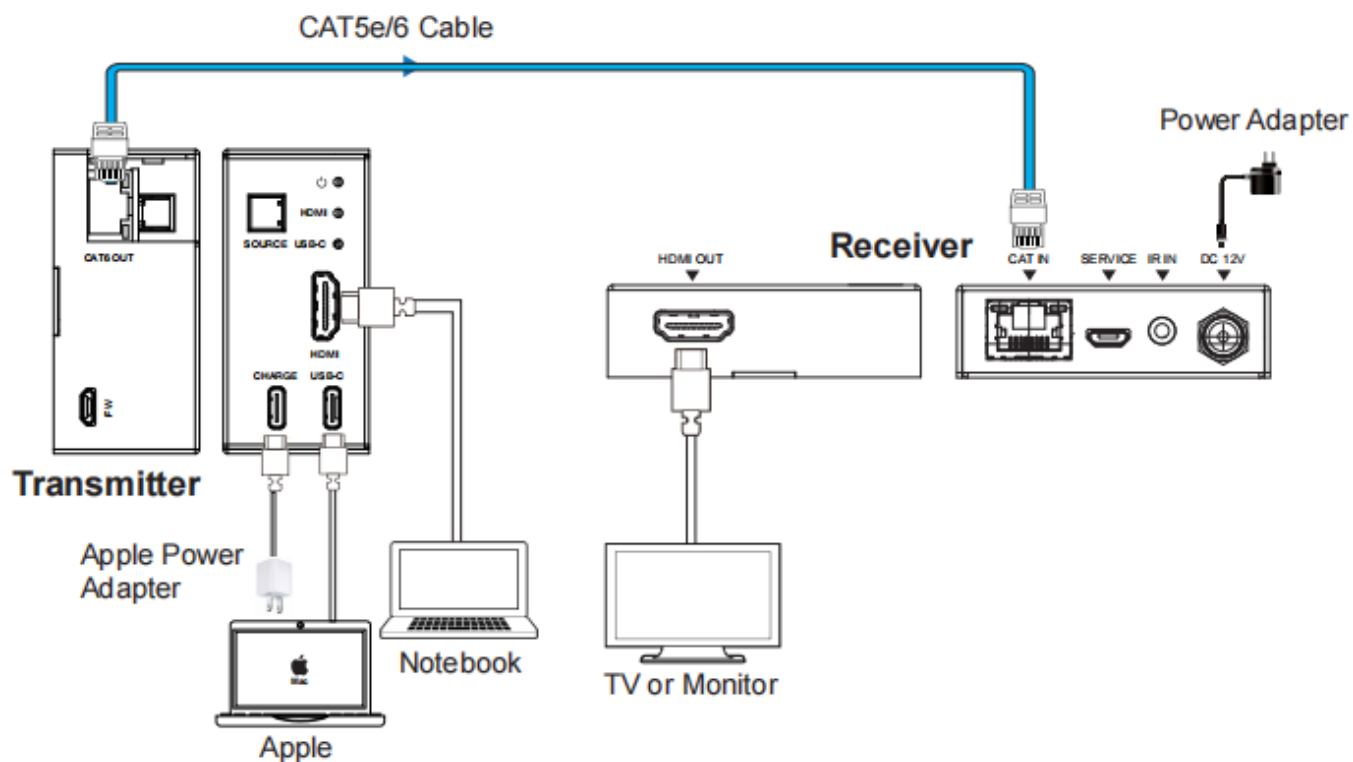
### Note:

This transmitter supports automatic/manual mode for source signal input. In manual switching mode, press the SOURCE button to select HDMI/ USB-C input source.

In automatic switching mode, the last connected or the currently connected source signal will be selected automatically; When both HDMI and USB-C ports are connected to active signal, HDMI signal input is preferred.

**Model** : ATZ HDMI-V2-E50C-TWRB-UCP  
**Description:** HDMI Extender Wall plate (US Style) 18G 4K60 HDMI+USB-C, PD, w/Receiver box (50m)

## Application Example



## Package Contents :

- 1x 18Gbps CAT 50M with USB-C/HDMI Wall Plate Transmitter
- 1x Receiver box
- 1x User Manual

## Warranty: 2 Years

Warranty is effective from the date of original delivery.

This warranty shall be void if a serial number has been removed from the product.

**HDMI**<sup>™</sup>

The terms HDMI and HDMI High-Definition Multimedia interface, and the HDMI Logo are trademarks or registered trademarks of HDMI Licensing LLC in the United States and other countries