

Model(s) : ATZ UCE201-IND (1-Port)
ATZ UCE202-IND (2-Port)
ATZ UCE204-IND (4-Port)

Description: 1/2/4-Ports USB 2.0 Cat 5e/6/7 POC Extender Kit 50m, Industrial Metal Case, 24V/0.5A Power Adapter.

ATZ UCE201-IND (1-Port)



ATZ UCE202-IND (2-Port)



Model(s) : ATZ UCE201-IND (1-Port)
ATZ UCE202-IND (2-Port)
ATZ UCE204-IND (4-Port)

Description: 1/2/4-Ports USB 2.0 Cat 5e/6/7 POC Extender Kit 50m, Industrial Metal Case, 24V/0.5A Power Adapter.

ATZ UCE204-IND (4-Port)



This ATZ USB 2.0 Cat.6 Extender can be used to extend the distance between a USB peripheral device and the host computer by up to 50m.

The ATZ USB 2.0 Cat 6 Extender provides true USB 2.0 extension at up to 480Mbps over Cat.5 cable or higher, a true plug-and-play solution without the need of additional software drivers. The compact size and integrated wall mounting enable space-saving installation.

A standard, low cost Ethernet network cable (not included) is used to bridge the connection between the transmitter and the receiver unit. For best performance and compatibility, we recommend the use of solid core patched cables.

The Receiver Unit allows the connections of up to 1, 2 or 4 USB devices, providing the access to webcams, hard drives, flash drive, printers, scanners, cameras, keyboard, mouse and so on.

The Extender features Power over Cable {POC}, which requires a single power supply only to be connected to the transmitter unit. This handy feature allows the receiver unit and connected devices to be located more freely as no power supply is required. With robust metal housing and integrated mounting brackets this Extender is the ideal solution for all environments up to industrial setting.

Model(s) : ATZ UCE201-IND (1-Port)
ATZ UCE202-IND (2-Port)
ATZ UCE204-IND (4-Port)



Description: 1/2/4-Ports USB 2.0 Cat 5e/6/7 POC Extender Kit 50m, Industrial Metal Case, 24V/0.5A Power Adapter.

Features:

- Supports data transfer rates of true USB 2.0 speed 1.5Mb/s, 12Mb/s, 480Mb/s
- Support USB 2.0 devices directly
- Support USB 1.1 device with a USB 2.0 hub at the device side
- Build-in noise reduction and cancellation for reliable connection
- Product consists of two electronic modules, a "Transmitter unit" and a "Receiver unit".
- Receiver unit is built in 1 / 2 / 4 port hub to connect 1 / 2 / 4 USB 2.0 devices.
- Units can be connected by a standard Cat.5 cable or higher, which extend USB devices up to 50m
- Wall mounting Industrial-grade metal housings to withstand harsh factory environments.
- Support Hot Plug and Play & no software driver is required
- AC coupled signal for long distance communication
- Proprietary signaling and link protocol over long distance cables
- Single 5V power drive
- Power over Cable (PoC) provides power to the Receiver via Cat5/6 cable
- Power supply for transmitter unit included
- Reduce power consumption

Model(s) : ATZ UCE201-IND (1-Port)
 ATZ UCE202-IND (2-Port)
 ATZ UCE204-IND (4-Port)



Description: 1/2/4-Ports USB 2.0 Cat 5e/6/7 POC Extender Kit 50m, Industrial Metal Case, 24V/0.5A Power Adapter.

Specifications:

		ATZ UCE201-IND	ATZ UCE202-IND	ATZ UCE-204-IND
Transmitter Unit	Upstream Port	USB 2.0 Type B Female		
	Downstream Port	RJ45 Jack		
	Power	Self-Powered 24V / 0.5A (Transmitter)		
		Power-Over-Cable (POC Receiver)		
Dimension	66 x 60 x 24 (mm)			
Receiver Unit	Upstream Port	RJ45 Jack		
	Downstream Port	USB 2.0 Type-A Female 1 Port	USB 2.0 Type-A Female 2- Ports	USB 2.0 Type-A Female 4-Ports
	Dimension	66 x 60 x 23 (mm)	66 x 60 x 25 (mm)	66 x 110 x 25 (mm)
Enclosure Material:	Anodized Steel (Cold rolled)			
Interconnection Cable	Standardized Ethernet Lan Cable			
Cable Length Max	50m			
Compliance	USB 1.0 / USB 1.1 / USB 2.0 Devices			
Data Transfer Rate	1.5Mbps, 12Mbps, 480Mbps			
Humidity	0 - 90% RH (non-condensing)			
Power	DC 24V/0.5A input			
Operating Temperature	0°C to 125°C			
Storage Temperature	-40°C to 125°C			
ESD protection	±8KV HBM (Contact) / ±15KV Air Electrostatic Discharge			
Product Compliance	RoHS; CE (Europe); REACH; FCC (USA); Trade Agreements Act (TAA)			

Certifications

This equipment has been tested and found to comply with FCC and CE Rules. Operation is subject to the following two conditions:

- (1) This device may not cause harmful interference
- (2) This device must accept any interference received. Including interference that may cause undesired operation.

WEEE Information

For EU (European Union) member users:

According to the WEEE Directive, do not dispose of this product as household waste or commercial waste. Waste electrical and electronic equipment should be appropriately collected and recycled as required by practices established for your country. For information on recycling of this product, please contact your local authorities, your household waste disposal service or the shop where you purchased the product.

Model(s) : ATZ UCE201-IND (1-Port)
ATZ UCE202-IND (2-Port)
ATZ UCE204-IND (4-Port)



Description: 1/2/4-Ports USB 2.0 Cat 5e/6/7 POC Extender Kit 50m, Industrial Metal Case, 24V/0.5A Power Adapter.



Verification :

Test item	Normative References	Test Result
Conducted Emission	EN 55022:2010 / AC:2011	CLASS B
Radiated Emission	EN 55022:2010 / AC:2011	CLASS B
Harmonics	EN 61000-3-2:2014	CLASS A
Voltage Fluctuations	EN 61000-3-3:2014	PASS
ESD	IEC 61000-4-2:2008	Criterion B
RS	IEC 61000-4-3:2006+A1:2007+A2:2010	Criterion A
EFT	IEC 61000-4-4:2012	Criterion B
Surge Immunity Test	IEC61000-4-5:2014	PASS
Conduction Disturbances induced by Radio-Frequency Field	IEC61000-4-6:2013	Criterion A
Power Frequency Magnetic Field Immunity Test	IEC61000-4-8:2009	Criterion A
Voltage Dips and Voltage Interruptions Immunity Test	IEC61000-4-11:2004	PASS

System Requirement:

Windows XP / Vista / 7 / 8 / 10 / 11, Linux, Mac OS and above.

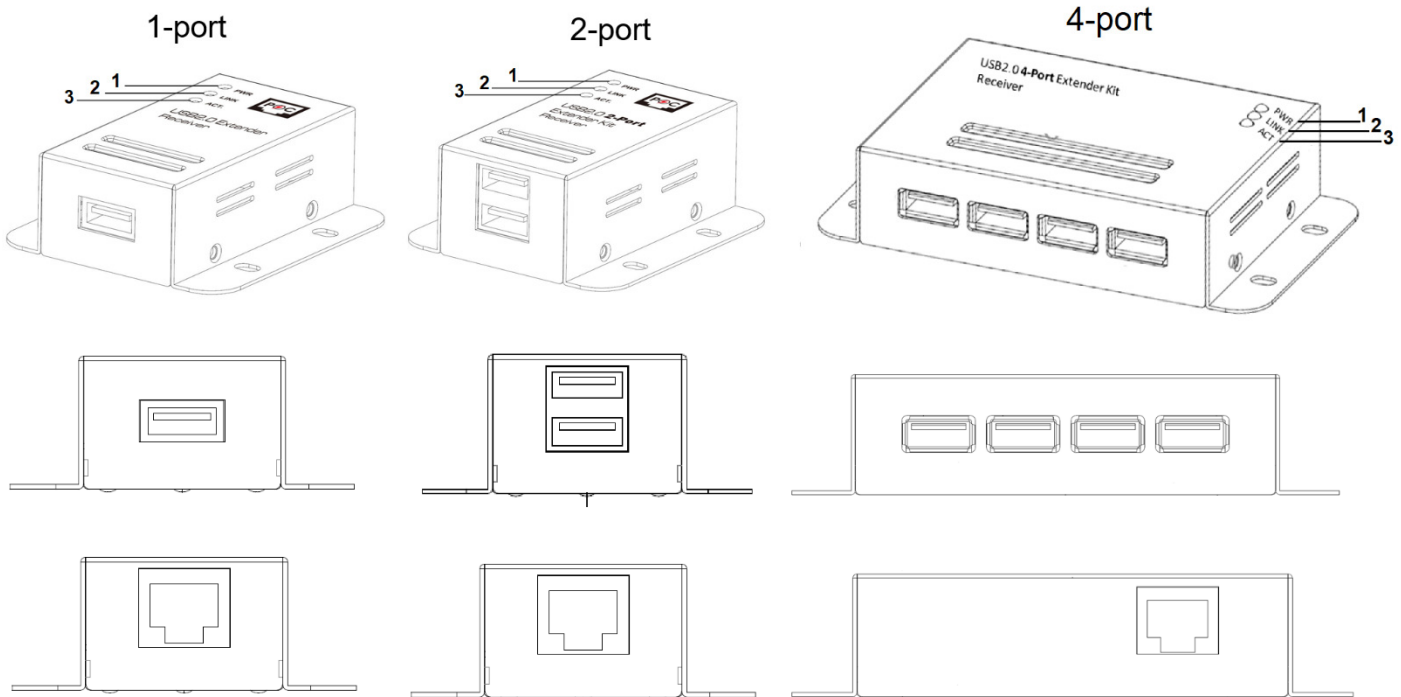
Model(s) : ATZ UCE201-IND (1-Port)
 ATZ UCE202-IND (2-Port)
 ATZ UCE204-IND (4-Port)

Description: 1/2/4-Ports USB 2.0 Cat 5e/6/7 POC Extender Kit 50m, Industrial Metal Case, 24V/0.5A Power Adapter.

Installation:

1. Connect the Transmitter Unit to the Host System (PC) via USB Cable A-male to B-male
2. Plug the 24V / 0.5A-DC power supply into the USB 2.0 Extender Transmitter Unit
3. Connect the USB 2.0 Extender Unit to Receiver Unit together using a ethernet lan cable.
 (Not supplied)
4. Connect the USB Device(s) to the Receiver Unit
5. Check for LED on USB 2.0 Extended Receiver Unit. Make sure that the Act. LED is flashing which mean the extenders are powered and well communicated

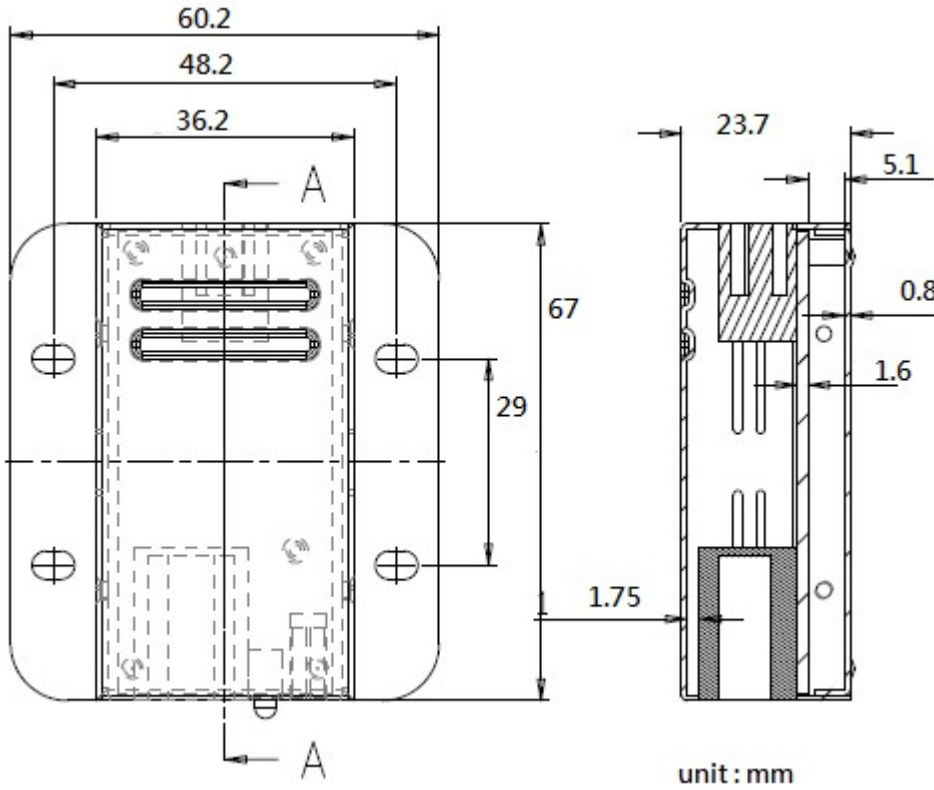
Item	Indicator	Description
1	PWR LED (Red)	LED turns on when power supply is from Transmitter unit. Off when no power is supplied.
2	LINK LED (Green)	Indicates a valid interconnection between Transmitter unit and Receiver unit is established via ethernet lan cables
3	ACT LED (Amber)	The LED flashes mean this Extender links to PC / Notebook properly and devices plug in to downstream port



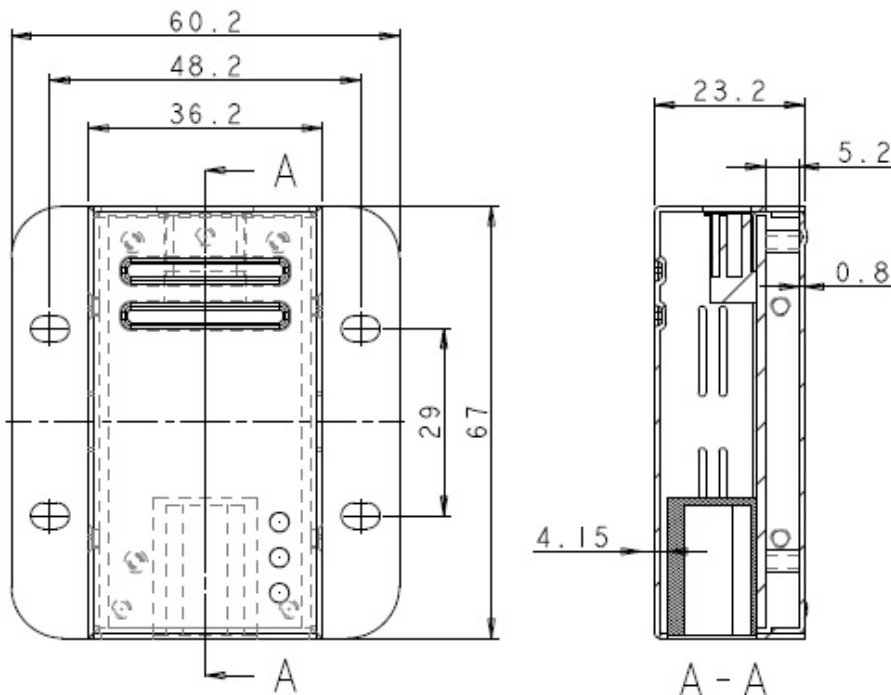
Model(s) : ATZ UCE201-IND (1-Port)
ATZ UCE202-IND (2-Port)
ATZ UCE204-IND (4-Port)

Description: 1/2/4-Ports USB 2.0 Cat 5e/6/7 POC Extender Kit 50m, Industrial Metal Case, 24V/0.5A Power Adapter.

Transmitter Unit (ATZ UCE201/202/204-IND)



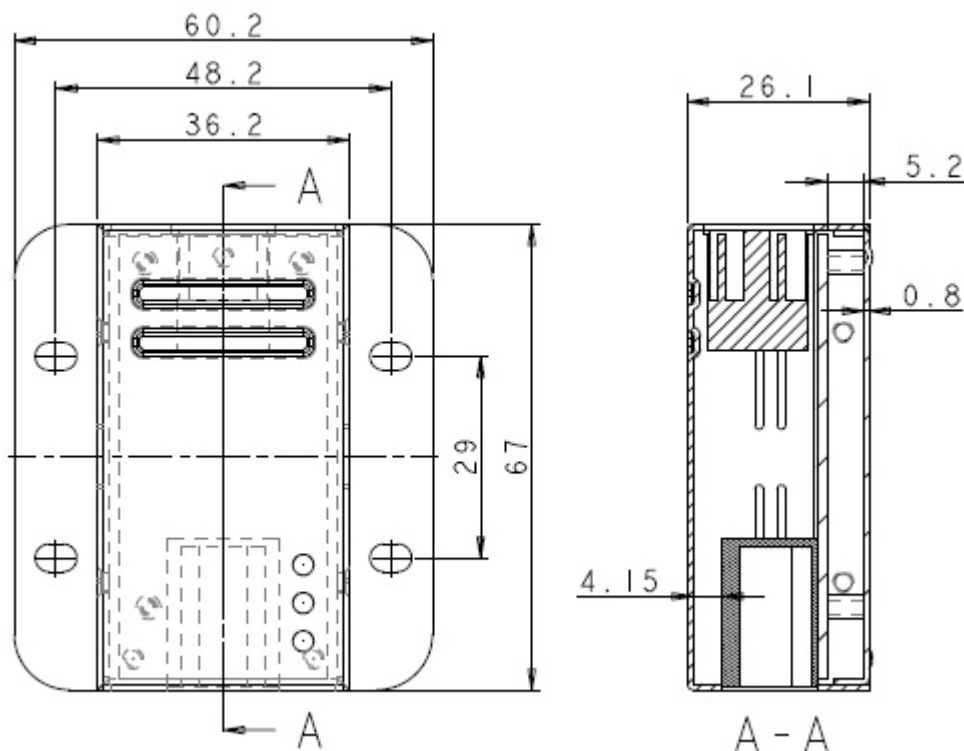
Receiver Unit (ATZ UCE201-IND (1-Port))



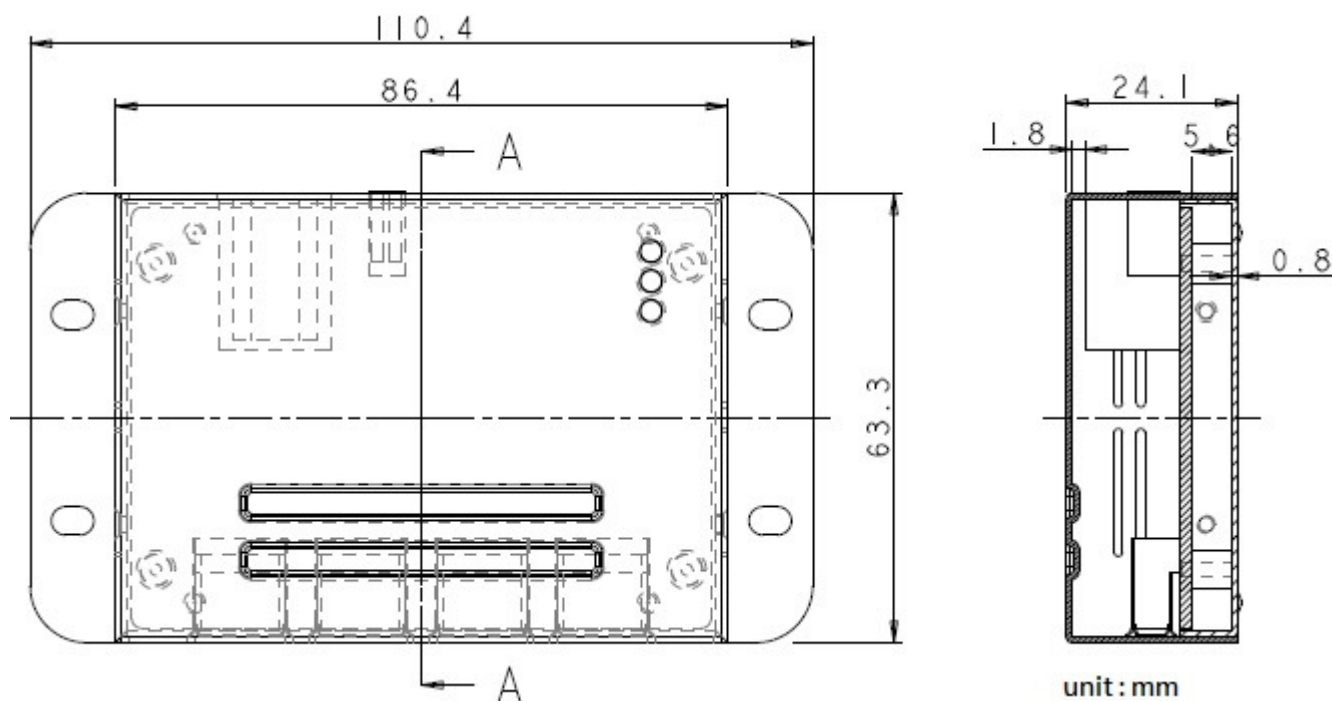
Model(s) : ATZ UCE201-IND (1-Port)
ATZ UCE202-IND (2-Port)
ATZ UCE204-IND (4-Port)

Description: 1/2/4-Ports USB 2.0 Cat 5e/6/7 POC Extender Kit 50m, Industrial Metal Case, 24V/0.5A Power Adapter.

Receiver Unit (ATZ UCE202-IND (2-Ports))



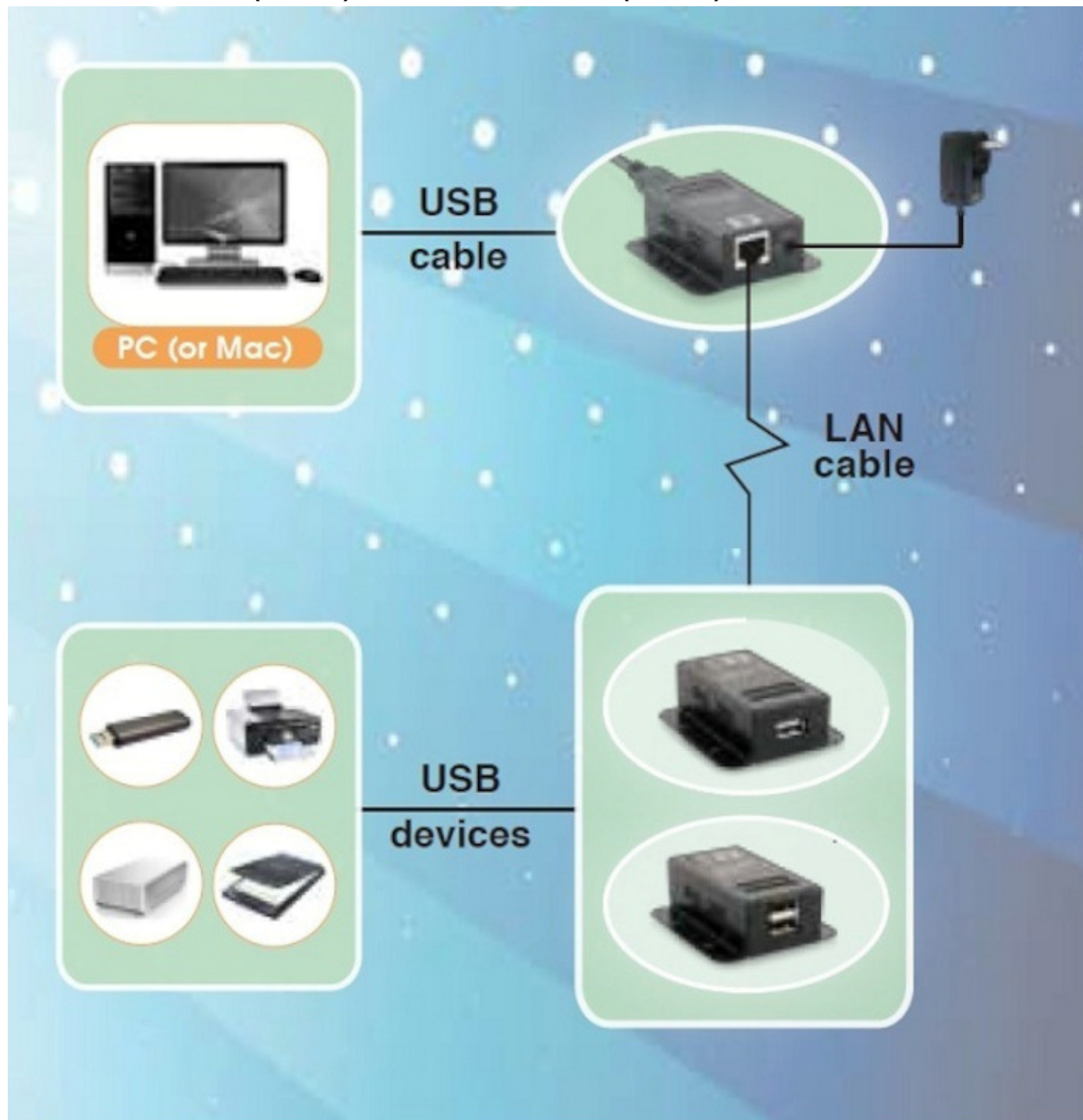
Receiver Unit (ATZ UCE204-IND (4-Ports))



Model(s) : ATZ UCE201-IND (1-Port)
ATZ UCE202-IND (2-Port)
ATZ UCE204-IND (4-Port)

Description: 1/2/4-Ports USB 2.0 Cat 5e/6/7 POC Extender Kit 50m, Industrial Metal Case, 24V/0.5A Power Adapter.

Application Diagram:
ATZ UCE201-IND (1 Port) / ATZ UCE202-IND (2-Port)



Model(s) : ATZ UCE201-IND (1-Port)
ATZ UCE202-IND (2-Port)
ATZ UCE204-IND (4-Port)

Description: 1/2/4-Ports USB 2.0 Cat 5e/6/7 POC Extender Kit 50m, Industrial Metal Case, 24V/0.5A Power Adapter.

ATZ UCE204-IND (4-Port)



Model(s) : ATZ UCE201-IND (1-Port)
ATZ UCE202-IND (2-Port)
ATZ UCE204-IND (4-Port)



Description: 1/2/4-Ports USB 2.0 Cat 5e/6/7 POC Extender Kit 50m, Industrial Metal Case, 24V/0.5A Power Adapter.

Package Contents :

- 1 x ATZ Transmitter Unit
- 1 x ATZ 1 Port / 2 Port / 4 Port Receiver Unit
- 1 x USB A-male to USB B-male Cable
- 1 x User Manual
- 1 x Power Adapter 24V / 0.5A

Warranty: 2 Years

Warranty is effective from the date of original delivery.

This warranty shall be void if a serial number has been removed from the product.