

Model : ATZ UH304C-IND

Description: 4-ports USB3.1 Gen 2 Type-C Combo Industrial Hub, 2*Type-C + 2*Type-A, Surge protection, Dual power.



This ATZ UH304C-IND - provide 4-ports of additional 2x USB Type-A + 2x USB Type-C port to a USB C computer.

These industrial graded hub supports simultaneous operation of any combination of SuperSpeed Plus (SS+), SuperSpeed (SS), High-Speed (HS), Full-Speed (FS), and Low-Speed (LS) devices. It is backward compatible with USB1.1, 2.0, USB 3.2 Gen 1 legacy devices.

It provide reliable performance in demanding operating environments at USB 3.1 Gen 2 speeds up to 10Gbps.

It features a rugged, all-metal chassis providing excellent EMC protection. With robust metal housing and integrated mounting brackets this hub is the ideal solution for industrial environments. This hub's USB-C ports, including the host port, support USB cables with locking connectors that can prevent devices and peripherals from accidentally coming loose, which are compliant with USB-IF Type-C locking specification.

Allow connection of industrial printers, sensor and other USB device / peripherals in a harsh environment.

Model : ATZ UH304C-IND

Description: 4-ports USB3.1 Gen 2 Type-C Combo Industrial Hub, 2*Type-C + 2*Type-A, Surge protection, Dual power.

Features:

- Connect up to 4 USB devices or peripherals
- Supports data transfer rates up to 10 Gbps
- Support USB Type C reversible plugging / locking connector
- Compliant with USB 3.1 Gen 2 specifications and USB Type C Specification
- Supports simultaneous USB 3.2 SuperSpeed+, USB 3.0 SuperSpeed, USB 2.0 High Speed, USB 1.1 Full Speed and USB 1.0 Low Speed devices
- Built in port status Indicator LED for each port
- Support over-current protection $\pm 2.5\text{kV}$ -per-port overcurrent protection to safeguard your connected devices against damage and data loss from power surges.
- Support ESD surge protection $\pm 15\text{KV}$ helps prevent potential static damage to connected devices.
- Two self-powered sources choice (1) DC DIM of 2-wire terminal block with screw to draw power from a power terminal input, OR (2) External power adapter.
- Mount to wall or Din rail in harsh environment
- Supports USB Battery Charging BC1.2 Specification at 1.5A
(provide additional power of up to 2A for fast-charging an iPad®, smart phones, tablet or similar products)
- Type C receptacle with Locking Screw and 0.6m Type C to Type C cable included



Model : ATZ UH304C-IND

Description: 4-ports USB3.1 Gen 2 Type-C Combo Industrial Hub, 2*Type-C + 2*Type-A, Surge protection, Dual power.



Specifications:

	ATZ UH304C-IND	ATZ UH307C-IND
Upstream Port	1 x USB Type C / Thunderbolt 3 and above	
Downstream Port	2 x USB Type-A 2 x USB Type-C	4 x USB Type-A 3 x USB Type-C
USB Compliant	USB 3.1 Gen 2	
Data Transfer Rate	Up to 10 Gps	
Housing Material	Steel (Cold rolled)	
Dimension (W x D x H)	106.5 x 63.4 x 24.6mm	164.5 x 64.3 x 20mm
USB Fast Charge	USB Battery Charging Specification Rev. 1.2	
Over-current Protection	±2.5KV per port	
ESD Surge Protection	±15KV (air) ±8KV (contact)	
Power DC terminal block	DC 5V / 4A above with screw	DC 12~24V / 3A above with screw
Power Adapter Input	100 – 240V, 50~60hz	
Power Adapter Output	5V / 4A power supply	16V / 3A power supply
Humidity	0 - 90% RH (non-condensing)	
Operating Temperature	0°C to 70°C	
Storage Temperature	-20°C to 85°C	
MTBF	120,000 Hours	
Product Compliance	RoHS; CE (Europe); REACH; FCC (USA); Trade Agreements Act (TAA)	

System Requirement:

Windows XP / Vista / 7 / 8 / 10 / 11 and above, Mac OS 10.7 and above and Linux

Installation:

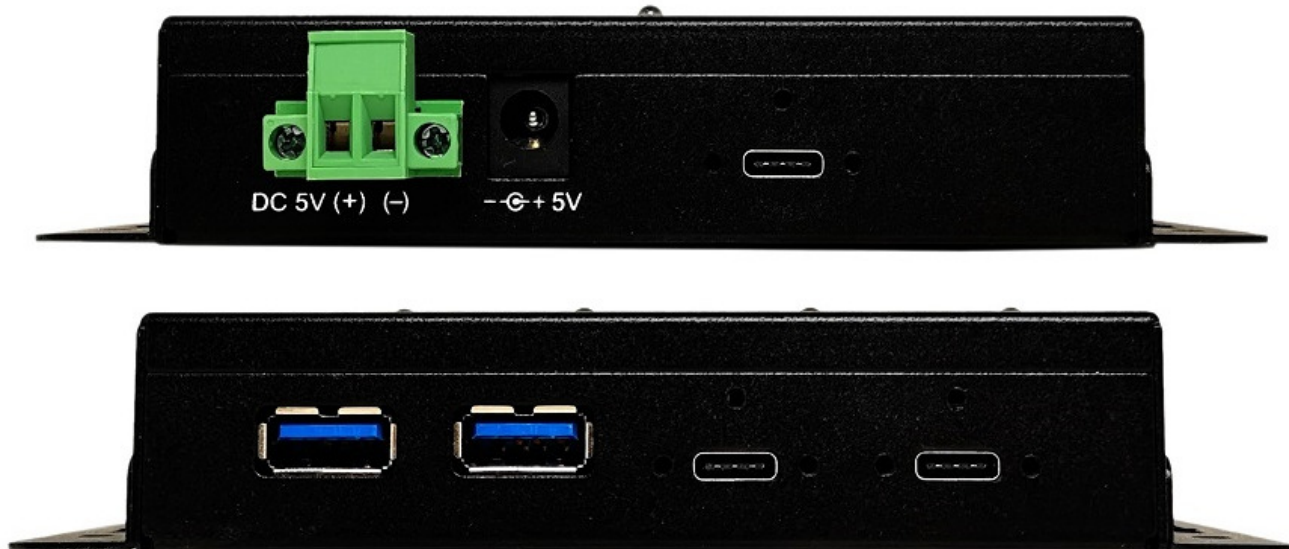
1. Connect the Transmitter Unit to the Host System (PC) via USB Cable A-male to B-male
2. Connect the USB Gen 2 to a free USB port on your computer. Depending on your computer's USB port, you will need a USB Type C to C cable.
3. Your computer will recognize the new hardware and install any required drivers automatically.
4. Now you can attach up to 4 USB devices as well as a power adapter via the DC socket. The HUB can also be powered via the terminal block.

Model : ATZ UH304C-IND

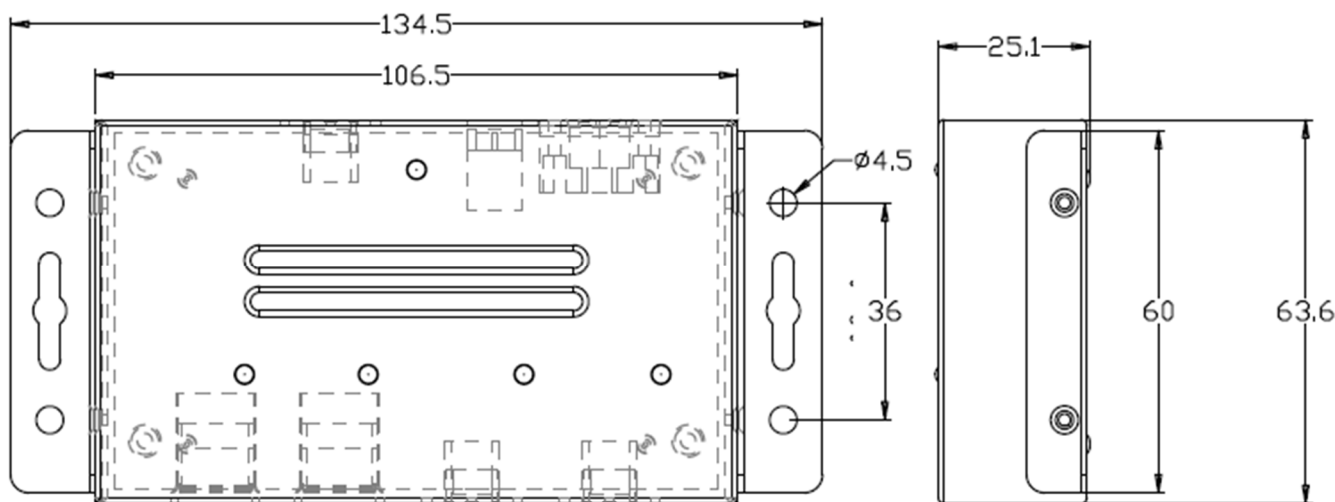
Description: 4-ports USB3.1 Gen 2 Type-C Combo Industrial Hub, 2*Type-C + 2*Type-A, Surge protection, Dual power.



Product Diagram:



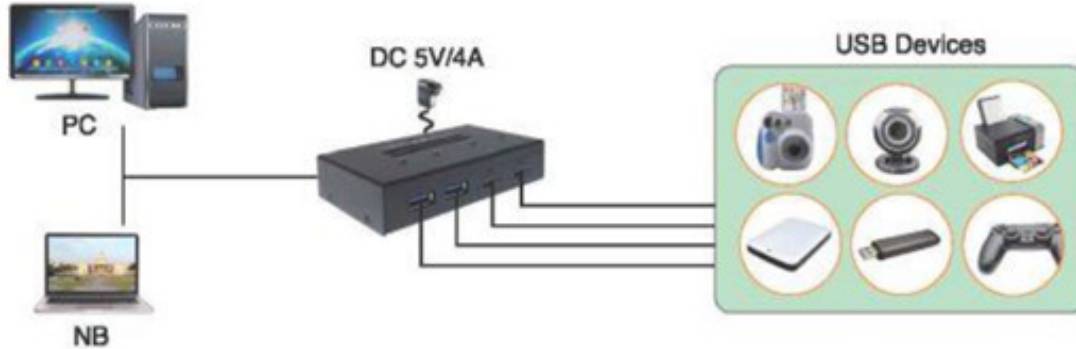
2 Port Type A	2 Port Type C	20W	USB 3.1 Gen 2 10Gbps
----------------------	----------------------	------------	---



Model : ATZ UH304C-IND

Description: 4-ports USB3.1 Gen 2 Type-C Combo Industrial Hub, 2*Type-C + 2*Type-A, Surge protection, Dual power.

Application Diagram:



Package Contents :

- 1 x ATZ 4 Ports USB 3.1 Gen 2 Type-C Combo Industrial Hub, Type C + Type A, Surge protection, Dual power.
- 1 x USB C male to USB C male with locking screw
- 1 x User Manual
- 1 x Power Adapter

Warranty: 2 Years

Warranty is effective from the date of original delivery.

This warranty shall be void if a serial number has been removed from the product.