

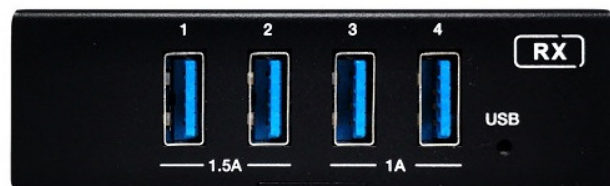
**Model** : ATZ UCE304

**Description:** 4-Ports USB3.2 Gen1 Extender over Cat.6a, RS232 / FSYSNC/  
POC (100m)



**TX**

**RX**



The USB 3.0 Extender can extend USB signal to a distance up to 100m/328ft via a single CAT6a cable. Transmitter features with one USB 3.0 Type B input, one FSYSNC GPIO input and one RS-232 pass-through. Receiver features with four USB 3.0 Type A outputs, one FSYSNC GPIO output and one RS-232 pass-through. Bi-directional 24V PoC is also supported. The product can be widely used for long distance signal transmission between a PC and USB devices.

**Model** : ATZ UCE304

**Description:** 4-Ports USB3.2 Gen1 Extender over Cat.6a, RS232 / FSYNC/  
POC (100m)



## Features:

- Extension of USB 3.2 up to 100m (CAT6a/7 & above). Use of Cat.6 (UTP) will result in shorter transmission distance
- USB 3.2 Gen1 connectivity with data transfer rate up to 5Gbps
- Backwards compatible with USB 2.0 and 1.1 (USB 3.2 Gen 1 is also known as USB 3.0 (5Gbps).
- Hardware acceleration for isochronous and bulk transfer
- This Extender is built with durable extruded aluminum construction for high wear & tear environments with mounting brackets included; provides 8kV/15kV Contact/Air Electrostatic Discharge (ESD) extended protection
- USB-A port 1 and 2 support 5V/1.5A, port 3 and 4 support 5V/1A on the Receiver
- Support RS-232 pass-through and FSYNC GPIO pass-through (for industry camera use)
- Support bi-directional 24V PoC
- Simple plug and play, no driver and setting installation required

## Specifications:

Technical	
USB Protocol	USB 3.2 Gen 1 also known as USB 3.0
Transmission Rate	Up to 5Gbps
Network Bandwidth	10G
Transmission Distance	CAT6a (F/FTP) cable - 100m/328ft over
ESD Protection	IEC 61000-4-2: <b>±8kV (Air-gap discharge), ±4kV (Contact discharge)</b>
Connections	
Transmitter	Input: 1x USB HOST [USB-B, 9pin Female] Output: 1x HDBT OUT [RJ45, Female] Control: 1x RS-232 [3pin-3.5mm Phoenix Connector] 1x FSYNC [1pin-3.5mm Phoenix Connector] 1x SERVICE [USB-C, Update Port]
Receiver	Input: 1x HDBT IN [RJ45, Female] Output: 4x USB Devices [USB-A, 9pin Female] Control: 1x RS-232 [3pin-3.5mm Phoenix Connector] 1x FSYNC [1pin-3.5mm Phoenix Connector] 1x SERVICE [USB-C, Update Port]
Mechanical	
Housing	Metal Enclosure
Color	Black
Dimensions	Transmitter / Receiver: 85mm [W] × 100mm [D] × 25.5mm [H]
Weight	Transmitter: 253g, Receiver: 260g
Power Supply	Input: AC 100~240V 50/60Hz Output: DC 24V/2A

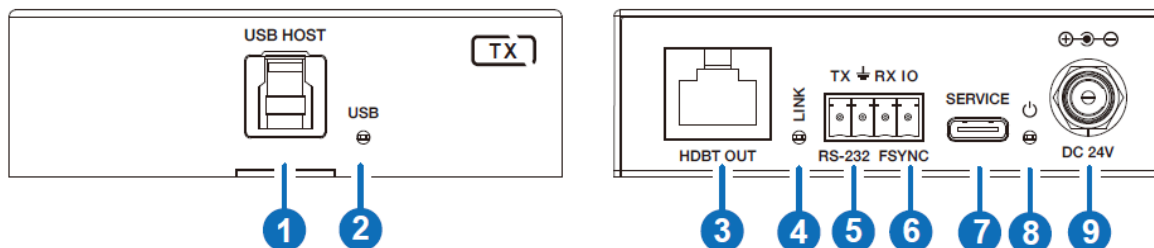
**Model** : ATZ UCE304

**Description:** 4-Ports USB3.2 Gen1 Extender over Cat.6a, RS232 / FSYNC/ POC (100m)

Power Consumption	PoC Power Supply: 40W (Max)
Operating Temperature	0°C ~ 40°C / 32°F ~ 104°F
Storage Temperature	-20°C ~ 60°C / -4°F ~ 140°F
Relative Humidity	20~90% RH (non-condensing)

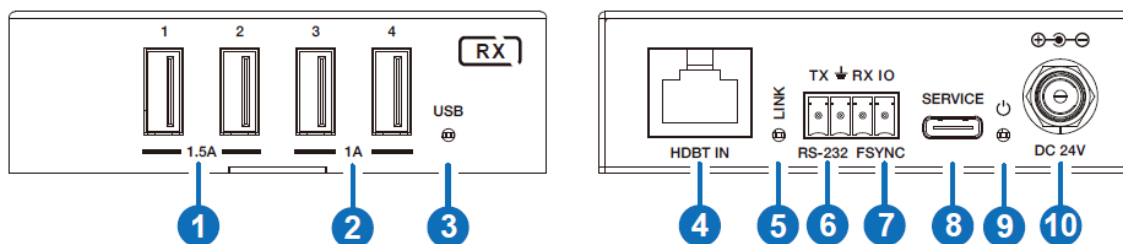
## Operation Controls and Functions

### Transmitter Panel:



No.	Name	Function Description
1	USB HOST	Host port, supporting USB 3.0. Connects to a PC or host.
2	USB LED	USB signal indicator. <ul style="list-style-type: none"> <li>• <b>On:</b> USB signal is detected.</li> <li>• <b>Off:</b> USB signal is not detected.</li> </ul>
3	HDBT OUT	Connects to the HDBT IN port on Receiver with CAT cable.
4	LINK LED	Connection signal indicator. <ul style="list-style-type: none"> <li>• <b>On:</b> Transmitter and Receiver are connected and linked.</li> <li>• <b>Flashing:</b> Transmitter and Receiver link is off due to USB low power mode.</li> <li>• <b>Off:</b> Transmitter and Receiver are not connected.</li> </ul>
5	RS-232	3pin phoenix connector, connected to a PC or control system for RS-232 command pass-through.
6	FSYNC	FSYNC port, used for level pass-through to the Receiver, and synchronizing the external devices. The default level is 3.3V.
7	SERVICE	Firmware update port.
8	POWER LED	The LED will be on when the Transmitter is powered on.
9	DC 24V	DC 24V/2A power input port.

### Receiver Panel:



No.	Name	Function Description
1	USB 1/2	Connect to USB devices, and max output power is up to 5V/1.5A.

**Model** : ATZ UCE304

**Description:** 4-Ports USB3.2 Gen1 Extender over Cat.6a, RS232 / FSYNC/  
POC (100m)

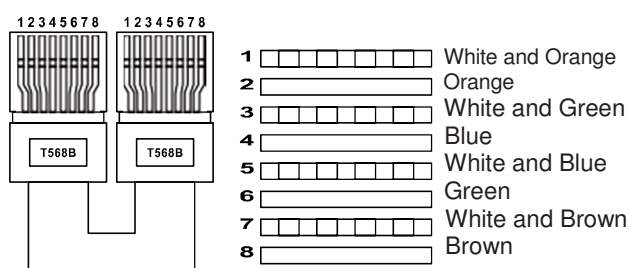
2	USB 3/4	Connect to USB devices, and max output power is up to 5V/1A.
3	USB LED	USB signal indicator. • <b>On:</b> USB signal is detected. • <b>Off:</b> USB signal is not detected.
4	HDBT IN	Connects to the HDBT OUT port on Transmitter with CAT cable.
5	LINK LED	Connection signal indicator. • <b>On:</b> Transmitter and Receiver are connected and linked. • <b>Flashing:</b> Transmitter and Receiver link is off due to USB low power mode. • <b>Off:</b> Transmitter and Receiver are not connected.
6	RS-232	3pin phoenix connector, connected to a PC or control system for RS-232 command pass-through.
7	FSYNC	FSYNC port, receiving level pass-through from the Transmitter, and synchronizing the external devices. Default level is 3.3V.
8	SERVICE	Firmware update port.
9	POWER LED	The LED will be on when the Receiver is powered on.
10	DC 24V	DC 24V/2A power input port.

## Surge protection device recommended

This product contains sensitive electrical components that may be damaged by electrical spikes, surges, electric shock, lightning strikes, etc. Use of surge protection systems is highly recommended in order to protect and extend the life of your equipment.

### Caution

The product requires the use of UTP connectors. Please connect in direct interconnection method and do not cross connect.



Direct Interconnection Method

## System Requirement:

Windows XP / Vista / 7 / 8 / 10 / 11, Mac OS and above

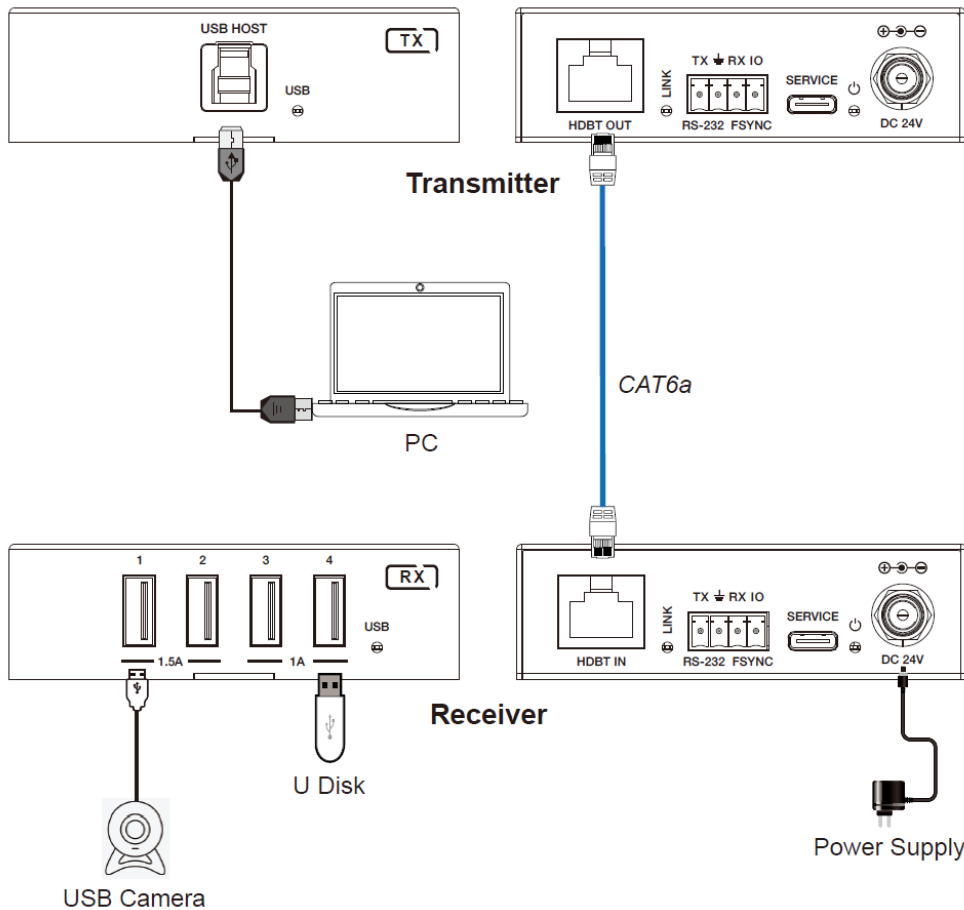
**Model** : ATZ UCE304

**Description:** 4-Ports USB3.2 Gen1 Extender over Cat.6a, RS232 / FSYNC/  
POC (100m)

## Package Contents :

- 1x USB 3.0 Extender (Transmitter)
- 1x USB 3.0 Extender (Receiver)
- 1x 24V/2A Locking Power Supply
- 2x 4pin-3.5mm Phoenix Connector (Male)
- 4x Mounting Ear
- 8x Machine Screw (KM3\*4)
- 1x User Manual

## Application Diagram:



## Warranty: 2 Years

Warranty is effective from the date of original delivery.

This warranty shall be void if a serial number has been removed from the product.