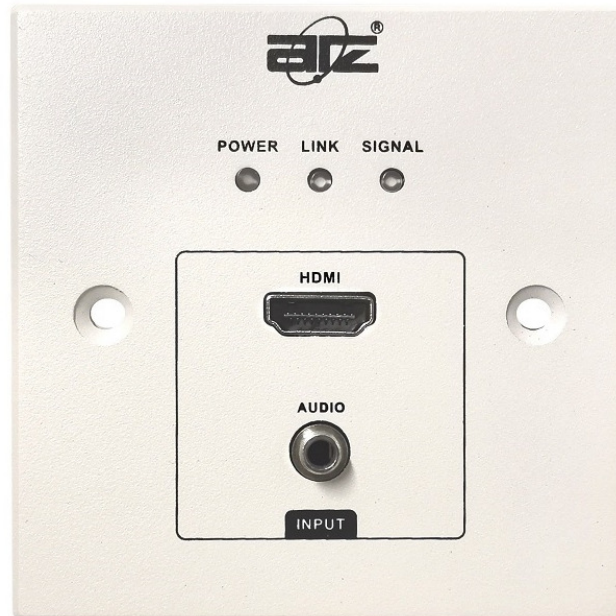


Model : ATZ HDBT-E100-TW-A

Description: HDBaseT™ Sender Wall Plate (100m)+Audio Embedder (100m @1080p60/
70m @4K60 4:2:0)



ATZ HDBT-E100-TW-A is a newly developed HDBaseT transmitter. It supports both input EDID management (with 7 built-in EDIDs), and external display's EDID. It supports 1080p60Hz up to 100m, 4K30Hz/ 4K60Hz(4:2:0) up to 70m over Cat5E/6 cable.

With POC (power over cable) function, user only needs to supply power to either HDBaseT Receiver or Transmitter. Power can be jumper select to either 12V or 24V as required. It supports audio embedding function to alternate between HDMI input native audio and external audio input. This product is widely used in video conferencing, large-screen display, multimedia display control systems, medical image display, projection system; and suitable for long-distance video and information signage systems at airports, railway stations, and sports centers.

Features:

- Support EDID management
- Support 1080P 3D, 4K30, 4K60 resolution
- Support audio embedding
- Support HDCP2.2
- Transmission distance 1080P60 resolution at (320ft) 100m, 4K30, 4K60 resolution at (220ft) 70m
- Supports POC (Power Over Cable)
- LED working indicator

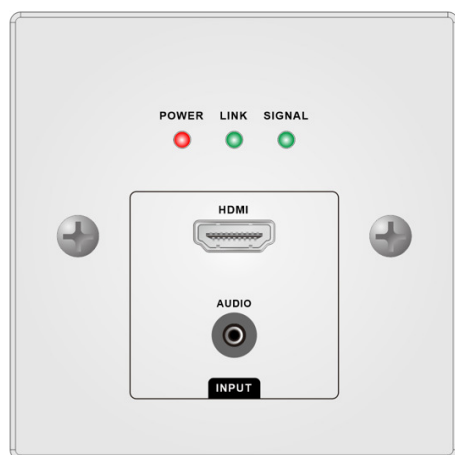
Model : ATZ HDBT-E100-TW-A

Description: HDBaseT™ Sender Wall Plate (100m)+Audio Embedder (100m @1080p60/70m @4K60 4:2:0)

Specifications:

Description	HDMI HDBaseT 100m transmitter with audio embedding function
Input	1× HDMI 1× 3.5mm Audio
Output	1× HDBaseT (RJ 45)
Protocol	HDMI2.0 HDCP2.2
Resolution	3840*2160P60、3840*2160P30、1920*1200P60、1920*1080P60
Transmission distance	Transmit 1080p60Hz up to 100m, 4K30Hz/ 4K60Hz up to 70m over a CAT5E/CAT6 cable
Power	DC 12V 1.5A
Measure	88x88x38mm
Weight	189g
Working temperature	-10 ~ +40°C
Storage temperature	-20°C ~55°C
Power consumption	24W

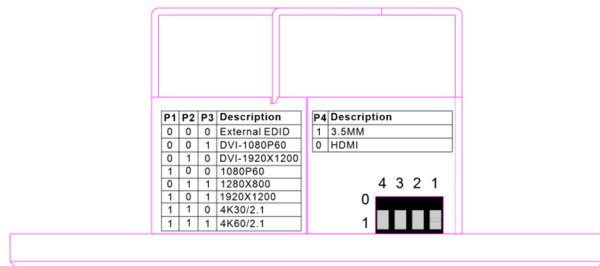
Panel Introduction



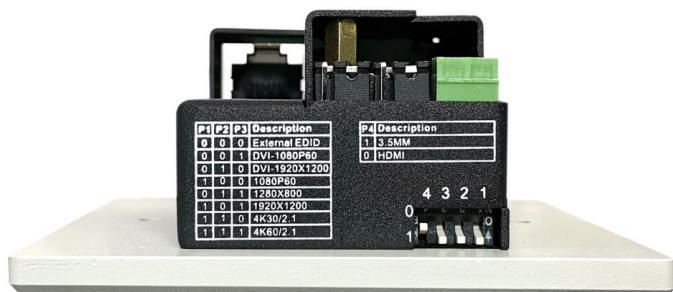
	Name	Function
LED Indicator	SIGNAL	HDMI signal indicator: Flashing - Connected Stable light - Selected
	LINK	Stable light - Connected with Receiver successfully
	POWER	Light up – power supplied from adapter or POC (RX)

Model : ATZ HDBT-E100-TW-A

Description: HDBaseT™ Sender Wall Plate (100m)+Audio Embedder (100m @1080p60/70m @4K60 4:2:0)



IN	12V Power supply
POC 12V	12V POC jumper
POC 24V	24V POC jumper



When using the internal EDID, plug the HDMI cable of the display into the input port, then select code to 000, wait for 2 seconds then connect normally.

P1	P2	P3	Description	P4	
0	0	0	External EDID	1	3.5MM
0	0	1	DVI-1080P60	0	HDMI
0	1	0	DVI-1920*1200P60		
1	0	0	1080P60		
0	1	1	1280*800		
1	0	1	1920*1200		
1	1	0	4K30/2.1		
1	1	1	4K60/2.1		

Model : ATZ HDBT-E100-TW-A

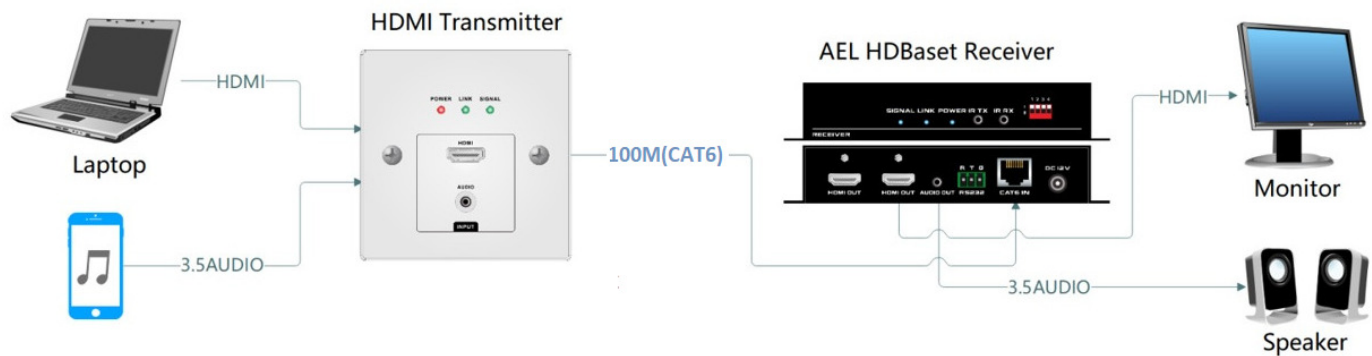
Description: HDBaseT™ Sender Wall Plate (100m)+Audio Embedder (100m @1080p60/
70m @4K60 4:2:0)

Package Includes:

1x HDMI Transmitter

1x power adapter 12V 1.5A

Product Diagram:



Warranty: 2 Years

Warranty is effective from the date of original delivery.

This warranty shall be void if a serial number has been removed from the product.



The terms HDMI and HDMI High-Definition Multimedia interface, and the HDMI Logo are trademarks or registered trademarks of HDMI Licensing LLC in the United States and other countries.