

**Model** : ATZ CR-312\_ CR-391)

**Description:** Mobile Cable Reel with winder

---



This rugged plastic unbreakable cable reel is environmental friendly and suitable for various types of long extension cables. The frame is made from a robust PC (Polycarbonate) integrated with handle and parking brake. The drum is made from special PE composite materials with detachable cable winder.

It is lightweight, shatterproof, and built to withstand rugged conditions for indoor/ outdoor tactical cable deployment for any events or temporary setup.

---

### Features:



- Lightweight
- Shatterproof
- Ergonomic grip
- Cable winding drum
- Parking brake
- Detachable cable management

**Model** : ATZ CR-312\_ CR-391)

**Description:** Mobile Cable Reel with winder

### Specifications:

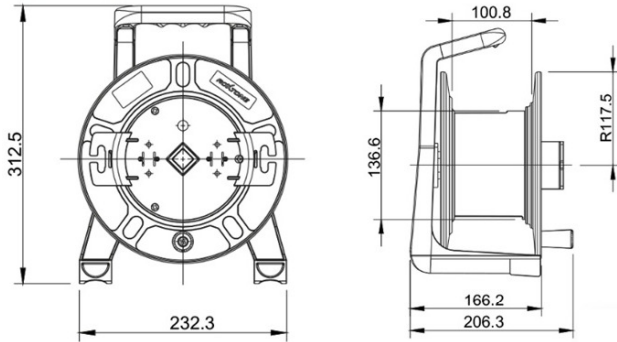
- Frame Material: Robust PC ( PolyCarbonate)
- Drum Material: PE Composite
- Base Material: PP
- Colour: black

Cable Diameter	ATZ CR-312	ATZ CR-391
		
	Cable length	Cable length
Ø3.0mm	265m	625m
Ø5.0mm	95m	255m
Ø6.0mm	65m	155m
Ø6.5mm	55m	135m
Ø7.0mm	45m	115m
Ø8.0mm	35m	85m
Ø9.0mm		70m
Ø10.0mm		55m
Ø11.0mm		45m
Ø14.0mm		29m

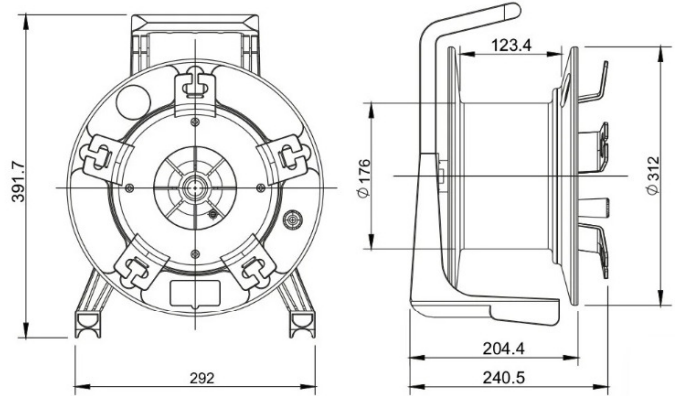
**Model** : ATZ CR-312\_ CR-391)

**Description:** Mobile Cable Reel with winder

**ATZ CR-312**



**ATZ CR-391**



**Warranty: NA**