

**Model** : ATZ HDMI-V2.1-12BA

**Description** : 2 ports HDMI v2.1 8K@60 Splitter w/Audio Extractor+Downscaler



**Model** : ATZ HDMI-V2.1-12BA

**Description** : 2 ports HDMI v2.1 8K@60 Splitter w/Audio Extractor+Downscaler



---

This 1x2 splitter can distribute one HDMI source signal to any two display devices. Video resolution is up to 8K@60Hz 4:2:0 12bit. It supports data rates up to 48Gbps to comply with HDMI 2.1 and HDCP 2.3 requirements. It also has advanced EDID management and audio de-embedding function (output through the optical and analog port).

This multi-functional product can work well with xbox or PS5 to achieve 4K@120Hz video resolution on your TVs or relative monitors.

---

## Features:

- HDCP 2.3 compliant
  - Support 48Gbps FRL and 18Gbps TMDS video bandwidth
  - Support video resolution up to 8K@60Hz 4:2:0 12bit, 4K@120Hz 4:4:4 12bit, as specified in HDMI 2.1
  - HDMI 2.1 protocols: VRR, FVA, ALLM are supported
  - Support HDR, HDR 10, HDR 10+, Dolby Vision, HLG pass-through
  - Support HDMI audio formats: LPCM 7.1CH, Dolby TrueHD, Atmos, DTS-HD Master Audio
  - Support audio de-embedding function (output through the optical and analog port)
  - Support resolution auto downscaling on each output
  - Support auto converting of HDR to SDR on each output
-

**Model** : ATZ HDMI-V2.1-12BA

**Description** : 2 ports HDMI v2.1 8K@60 Splitter w/Audio Extractor+Downscaler



## Specifications:

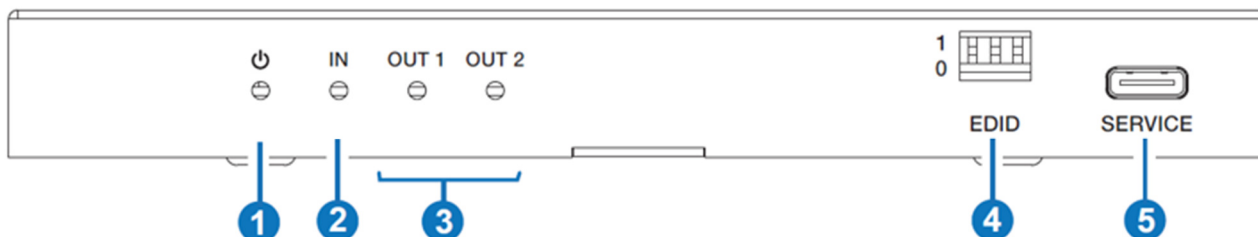
Technical:				
HDMI Compliance	HDMI 2.1			
HDCP Compliance	HDCP 2.3, HDCP1.4			
Video Bandwidth	48Gbps FRL and 18Gbps TMDS			
Video Resolution	Up to 8K@60Hz 4:2:0 12bit, 4K@120Hz 4:4:4 12bit			
Color Depth	8/10/12bit			
Color Space	RGB, YCbCr 4:4:4, YCbCr 4:2:2, YCbCr 4:2:0			
Audio Formats	<b>HDMI input/output:</b> LPCM, Dolby Digital/ Plus/ EX, Dolby True HD, Dolby Atmos, DTS, DTS-EX, DTS-96/ 24, DTS High Res, DTS-HD Master Audio, DSD <b>Audio de-embedding output:</b> Optical: LPCM/ Dolby/ DTS 5.1CH Analog: LPCM 2CH			
HDR	HDR, HDR10, HDR10+, Dolby Vision, HLG			
ESD Protection	IEC 61000-4-2: ±8kV (Air-gap discharge), ±4kV (Contact discharge)			
Connection:				
Input ports	1 × HDMI IN [Type A, 19-pin female]			
Output ports	2 × HDMI OUT [Type A, 19-pin female] 1 × OPTICAL [S/PDIF] 1 × L/R [3.5mm Stereo Mini-jack]			
Control ports	1 × SERVICE [USB Type C, Update port]			
Mechanical:				
Housing	Metal Enclosure			
Color	Black			
Dimensions	145mm [W] × 68mm [D] × 17mm [H]			
Weight	260g			
Power Supply	Input: AC 100-240V 50/60Hz, Output: DC 5V/2A (US/EU standards, CE/FCC/UL certified)			
Power Consumption	4.5W (Max)			
Operating Temperature	0°C ~ 40°C / 32°F ~ 104°F			
Storage Temperature	-20°C ~ 60°C / -4°F ~ 140°F			
Relative Humidity	20 - 90% RH (no-condensing)			
Recommended HDMI Cable				
Video Resolution	8K	4K60	4K24	1080P
HDMI Cable Type	Ultra HDMI 2.1 cable	HDMI v2.0 cable	HDMI v2.0 cable	HDMI v2.0 cable
HDMI Cable Length (HDMI IN / OUT)	3m/10ft	8m/26ft	12m/39ft	15m/49ft
The use of "ATZ Premium High Speed HDMI" cable is highly recommended				

**Model** : ATZ HDMI-V2.1-12BA

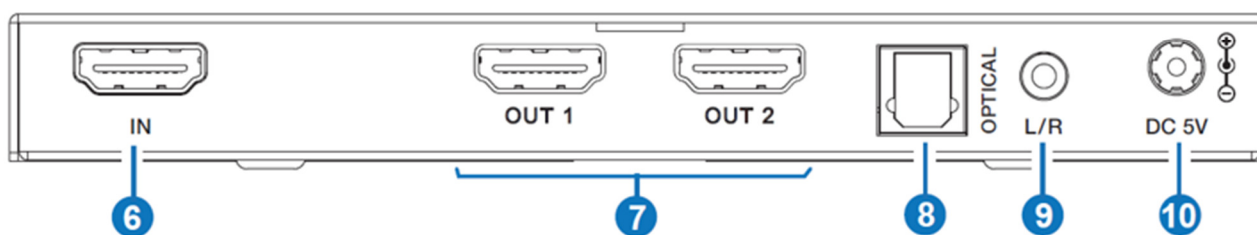
**Description** : 2 ports HDMI v2.1 8K@60 Splitter w/Audio Extractor+Downscaler

## Operation Controls and Functions:

### Front Panel



### Rear Panel



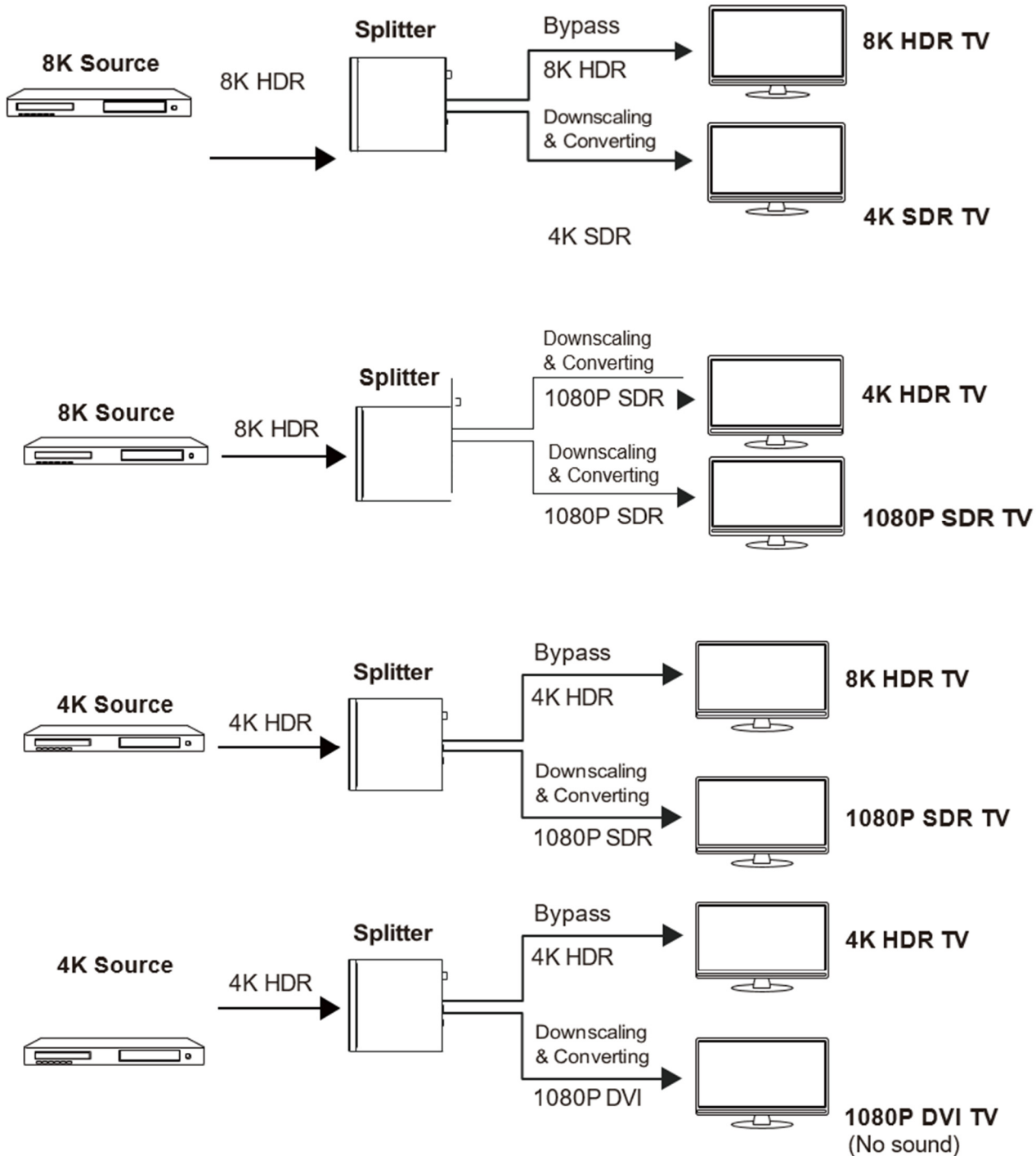
No.	Name	Function Description
1	Power LED	The power LED lights in red when the device is working.
2	IN LED	When the HDMI IN port connects to an active source device, the green LED will be on.
3	OUT LED (1~2)	When the HDMI OUT 1/2 port connects to a display device and outputs signal, the corresponding green LED will be on.
4	EDID DIP switch	Use the DIP switch to set EDID. [DIP]=111: Copy OUT 1 port sink EDID (as factory default) [DIP]=110: 4K60 (4:4:4), 2.0CH [DIP]=101: FRL12G_8K_HDR, 2.0CH [DIP]=100: FRL12G_8K_HDR, 5.1CH [DIP]=011: FRL12G_8K_HDR, 7.1CH [DIP]=010: FRL10G_8K_HDR, 2.0CH [DIP]=001: FRL10G_8K_HDR, 5.1CH [DIP]=000: FRL10G_8K_HDR, 7.1CH
5	SERVICE	Firmware update port.
6	IN port	HDMI signal input port, connected to HDMI source device such as DVD or PS5 with an HDMI cable.
7	OUT port (1~2)	HDMI signal output port, connected to HDMI display device such as TV or Monitor with an HDMI cable.
8	OPTICAL	Optical fiber audio output port.
9	L/R	Analog audio output port.
10	DC 5V	DC 5V/2A power input port.

**Model** : ATZ HDMI-V2.1-12BA

**Description** : 2 ports HDMI v2.1 8K@60 Splitter w/Audio Extractor+Downscaler

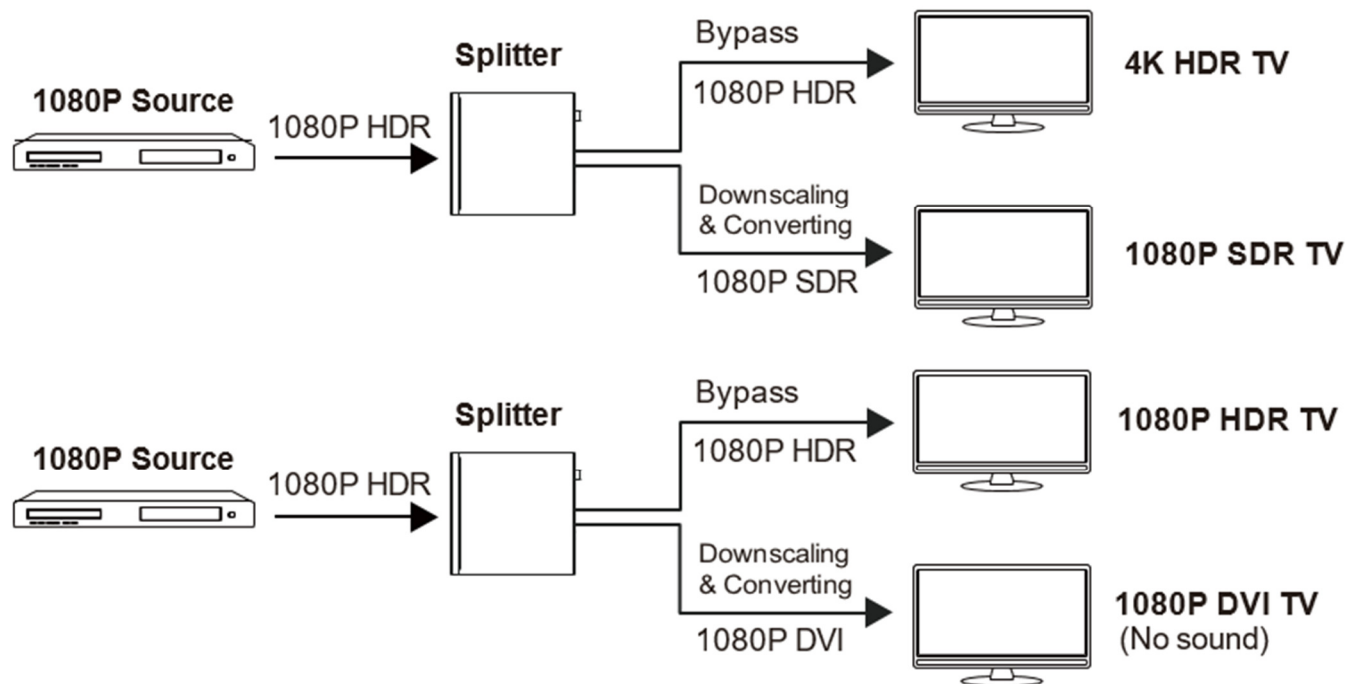
## Auto Downscaling & Auto Converting

This 1x2 splitter supports auto downscaling and auto converting on all outputs. Before downscaling it will compare all the EDID of the connected display devices and select the minimum resolution to downscale and output. For example



**Model** : ATZ HDMI-V2.1-12BA

**Description** : 2 ports HDMI v2.1 8K@60 Splitter w/Audio Extractor+Downscaler



**Note:** If the source resolution is downscaled and converted to **1080P DVI** according to the EDID of display devices, it will be output without sound on TV.

Downscaling will not work in the following conditions:

1. The input source is 8K DSC format.
2. The resolution of input source is not supported by the splitter.

**Model** : ATZ HDMI-V2.1-12BA

**Description** : 2 ports HDMI v2.1 8K@60 Splitter w/Audio Extractor+Downscaler



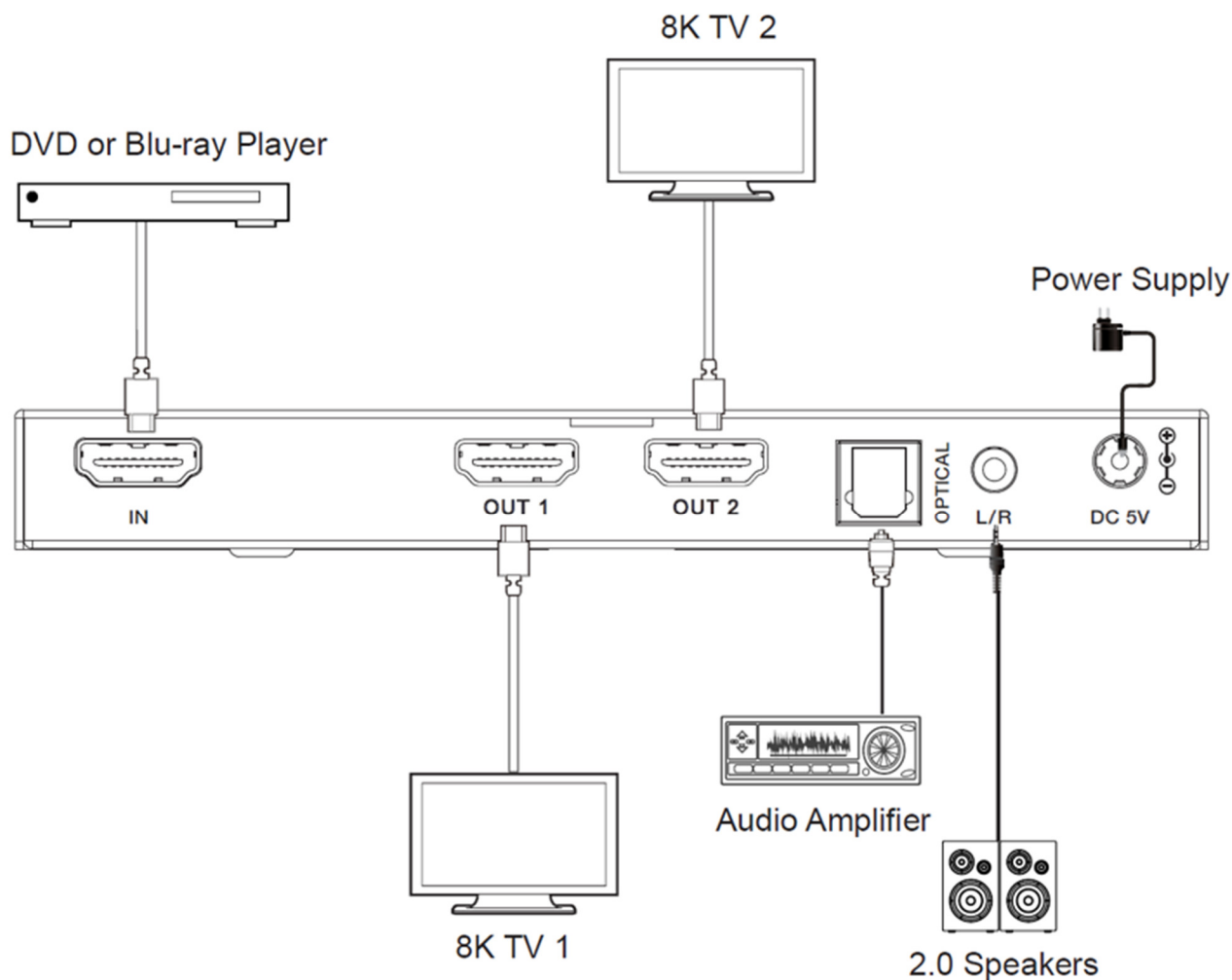
## Product Pictures:



**Model** : ATZ HDMI-V2.1-12BA

**Description** : 2 ports HDMI v2.1 8K@60 Splitter w/Audio Extractor+Downscaler

## Application Diagram:



## Package Contents :

- 1 × 2 ports HDMI v2.1 8K@60 Splitter w/Audio Extractor+Downscaler
- 1 × 5V/2A Multinational Power Supply
- 1 × User Manual

## Warranty: 2 Years

Warranty is effective from the date of original delivery.

This warranty shall be void if a serial number has been removed from the product.