

**Model** : ATZ HDMI-V2.1-14BA

**Description** : 4 ports HDMI v2.1 8K@60 Splitter w/Audio Extractor+Downscaler



**Model** : ATZ HDMI-V2.1-14BA

**Description** : 4 ports HDMI v2.1 8K@60 Splitter w/Audio Extractor+Downscaler



This 1x4 splitter can distribute one HDMI source signal to any four display devices. Video resolution is up to 8K@60Hz 4:2:0 12bit. It supports data rates up to 48Gbps to comply with HDMI 2.1 and HDCP 2.3 requirements. It includes several features for ease of integration, such as EDID management and cable equalization. Resolution downscaling is also supported. It is an easy-to-use solution for HDMI installation, and can transmit the audio signal to any sound system with 5.1/2.0CH.

This multi-functional product can be widely applied in scenarios of demonstration, video conference, multimedia teaching and other occasions.

## Features:

- HDCP 2.3 compliant
- Support 48Gbps FRL and 18Gbps TMDS video bandwidth
- Supports resolution up to 8K@60Hz 4:2:0 12bit, 4K@120Hz 4:4:4 12bit 8K@30Hz 4:4:4 12bit, as specified in HDMI 2.1
- HDMI 2.1 protocols: VRR, ALLM, QMS, QFT, SBTM supported
- Support HDR, HDR 10, HDR 10+, Dolby Vision, HLG pass-through
- Support HDMI audio formats: LPCM 7.1CH, Dolby TrueHD, Atmos, DTS-HD Master Audio
- Support audio de-embedding function (output through the optical and analog port)
- Supports resolution auto downscaling and converting on each output port
- Advanced EDID management

**Model** : ATZ HDMI-V2.1-14BA

**Description** : 4 ports HDMI v2.1 8K@60 Splitter w/Audio Extractor+Downscaler



## Specifications:

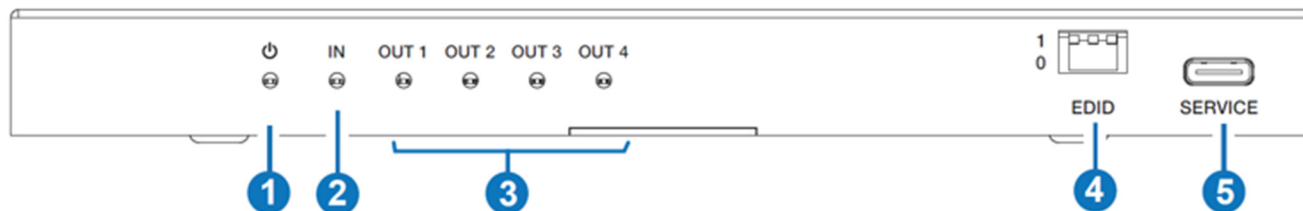
Technical:				
HDMI Compliance	HDMI 2.1			
HDCP Compliance	HDCP 2.3, HDCP1.4			
Video Bandwidth	48Gbps FRL and 18Gbps TMDS			
Video Resolution	Up to 8K@60Hz 4:2:0 12bit, 4K@120Hz 4:4:4 12bit, 8K@30Hz 4:4:4 12bit			
Color Depth	8/10/12bit			
Color Space	RGB, YCbCr 4:4:4, YCbCr 4:2:2, YCbCr 4:2:0			
Audio Formats	<b>HDMI input/output:</b> LPCM, Dolby Digital/ Plus/ EX, Dolby True HD, Dolby Atmos, DTS, DTS-EX, DTS-96/ 24, DTS High Res, DTS-HD Master Audio, DSD <b>Audio de-embedding output:</b> Optical: LPCM/ Dolby/ DTS 5.1CH Analog: LPCM 2CH			
HDR	HDR, HDR10, HDR10+, Dolby Vision, HLG			
ESD Protection	IEC 61000-4-2: ±8kV (Air-gap discharge), ±4kV (Contact discharge)			
Connection:				
Input ports	1 × HDMI IN [Type A, 19-pin female]			
Output ports	4 × HDMI OUT [Type A, 19-pin female] 1 × OPTICAL [S/PDIF] 1 × L/R [3.5mm Stereo Mini-jack]			
Control ports	1 × SERVICE [USB Type C, Update port]			
Mechanical:				
Housing	Metal Enclosure			
Color	Black			
Dimensions	176mm [W] × 68mm [D] × 18mm [H]			
Weight	295g			
Power Supply	Input: AC 100-240V 50/60Hz, Output: DC 5V/2A (US/EU standards, CE/FCC/UL certified)			
Power Consumption	6W (Max)			
Operating Temperature	0°C ~ 40°C / 32°F ~ 104°F			
Storage Temperature	-20°C ~ 60°C / -4°F ~ 140°F			
Relative Humidity	20 - 90% RH (no-condensing)			
Recommended HDMI Cable				
Video Resolution	8K	4K60	4K24	1080P
HDMI Cable Type	Ultra HDMI 2.1 cable	HDMI v2.0 cable	HDMI v2.0 cable	HDMI v2.0 cable
HDMI Cable Length (HDMI IN / OUT)	3m/10ft	8m/26ft	12m/39ft	15m/49ft
The use of "ATZ Premium High Speed HDMI" cable is highly recommended				

**Model** : ATZ HDMI-V2.1-14BA

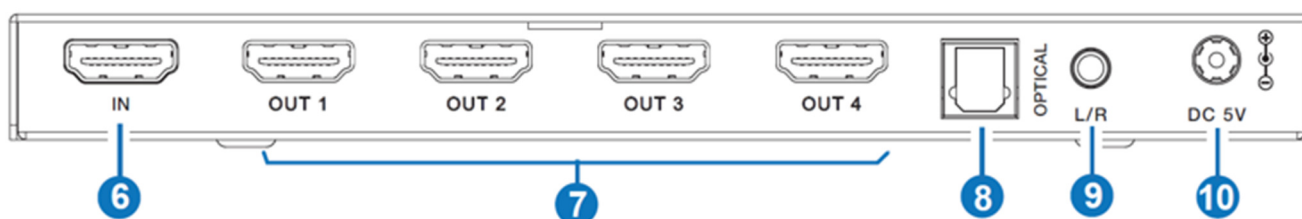
**Description** : 4 ports HDMI v2.1 8K@60 Splitter w/Audio Extractor+Downscaler

## Operation Controls and Functions:

### Front Panel



### Rear Panel



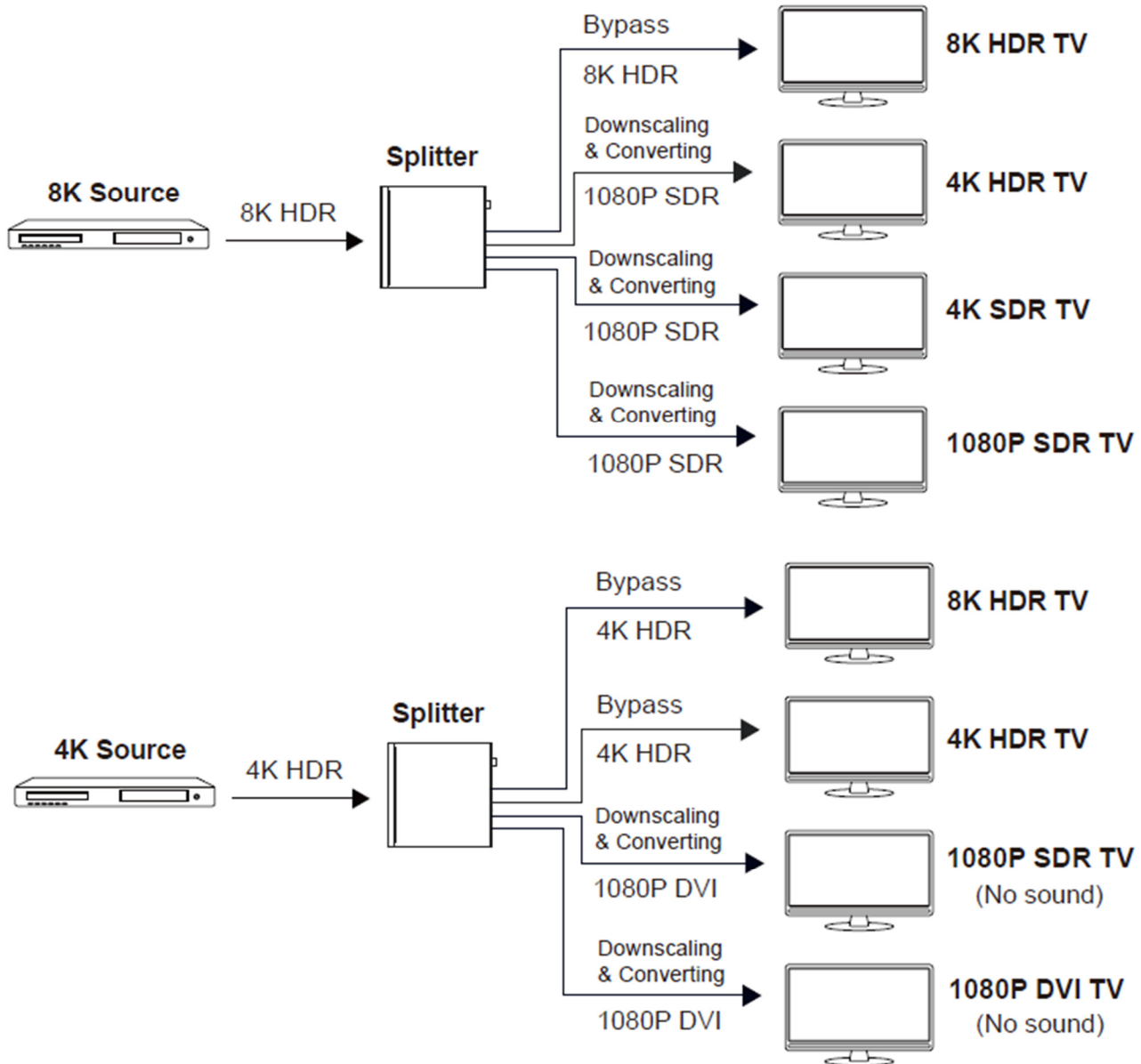
No.	Name	Function Description
1	Power LED	When the device is powered on, the red LED will be on.
2	IN LED	When the HDMI IN port connects an active source device, the green LED will be on.
3	OUT LED (1~4)	When the HDMI OUT 1/2/3/4 port connects a display device and outputs signal, the corresponding green LED will be on.
4	EDID DIP switch	Use the DIP switch to set EDID. [DIP]=111: Copy OUT 1 port sink EDID (as factory default) [DIP]=110: 4K60 (4:4:4), 2.0CH [DIP]=101: FRL12G_8K_HDR, 2.0CH [DIP]=100: FRL12G_8K_HDR, 5.1CH [DIP]=011: FRL12G_8K_HDR, 7.1CH [DIP]=010: FRL10G_8K_HDR, 2.0CH [DIP]=001: FRL10G_8K_HDR, 5.1CH [DIP]=000: FRL10G_8K_HDR, 7.1CH
5	SERVICE	Firmware update port.
6	IN port	HDMI signal input port, connected to HDMI source device such as DVD or PS5 with an HDMI cable.
7	OUT port (1~4)	HDMI signal output port, connected to HDMI display device such as TV or Monitor with an HDMI cable.
8	OPTICAL	Optical fiber audio output port.
9	L/R	Analog audio output port.
10	DC 5V	DC 5V/2A power input port.

**Model** : ATZ HDMI-V2.1-14BA

**Description** : 4 ports HDMI v2.1 8K@60 Splitter w/Audio Extractor+Downscaler

## Auto Downscaling & Auto Converting

This 8K HDMI splitter supports auto downscaling and auto converting on all outputs. It will automatically output the correct HDMI signal according to the EDID of the display device. As for this splitter, before downscaling it will compare all the EDID of the connected display devices and select the minimum resolution to downscale and output. For example:



**Note:** If the source resolution is downscaled and converted to **1080P DVI** according to the EDID of display devices, it will be output without sound on TV.

Downscaling will not work in the following conditions:

1. The input source is 8K DSC format.
2. The resolution of input source is not supported by the splitter.

**Model** : ATZ HDMI-V2.1-14BA

**Description** : 4 ports HDMI v2.1 8K@60 Splitter w/Audio Extractor+Downscaler



## Product Pictures:

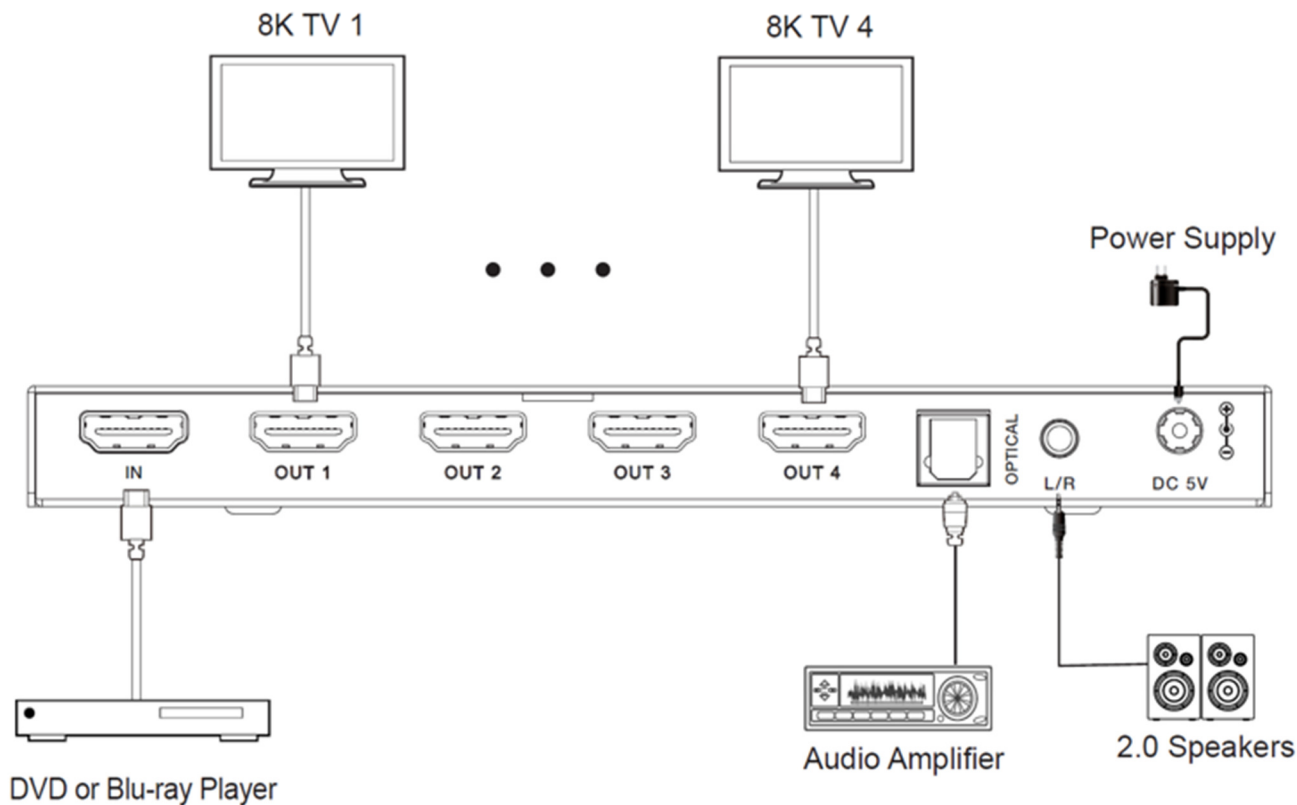


**Model** : ATZ HDMI-V2.1-14BA

**Description** : 4 ports HDMI v2.1 8K@60 Splitter w/Audio Extractor+Downscaler



## Application Diagram:



## Package Contents :

- 1 × 4 ports HDMI v2.1 8K@60 Splitter w/Audio Extractor+Downscaler
- 1 × 5V/2A Multinational Power Supply
- 1 × User Manual

## Warranty: 2 Years

Warranty is effective from the date of original delivery.

This warranty shall be void if a serial number has been removed from the product.