

Model : ATZ HDMI-V2.1-18B

Description : 8 ports HDMI v2.1 8K@60 48Gbps Splitter w/Downscaler



Model : ATZ HDMI-V2.1-18B

Description : 8 ports HDMI v2.1 8K@60 48Gbps Splitter w/Downscaler



This 1x8 splitter is an advanced solution for splitting single HDMI signal to 8 HDMI outputs synchronously, with video resolution up to 8K@60 4:2:0 12bit. It supports data rates up to 48Gbps, complying with HDMI 2.1 and HDCP 2.3 requirements. It includes several features for ease of integration, including EDID management, cable equalization.

This multi-functional product can work well with xbox or PS5 to achieve 4K@ 120Hz on your TVs or relative monitors.

Features:

- HDCP 2.3 compliant
 - Support 48Gbps FRL and 18Gbps TMDS video bandwidth
 - Support video resolution up to 8K@60Hz 4:2:0 12bit, 4K@120Hz 4:4:4 12bit, as specified in HDMI 2.1
 - HDMI 2.1 protocols: VRR, ALLM, QMS, QFT, SBTM are supported as specified in HDMI 2.1
 - Support HDR, HDR 10, HDR 10+, Dolby Vision, HLG pass-through
 - Support HDMI audio formats: LPCM 7.1CH, Dolby TrueHD, Atmos,
 - DTS-HD Master Audio
 - Support resolution auto downscaling on each output
 - ☆ Support auto converting of HDR to SDR on each output
 - Advanced EDID management
-

Model : ATZ HDMI-V2.1-18B

Description : 8 ports HDMI v2.1 8K@60 48Gbps Splitter w/Downscaler



Specifications:

Technical:				
HDMI Compliance	HDMI 2.1			
HDCP Compliance	HDCP 2.3, HDCP 1.4			
Video Bandwidth	48Gbps FRL and 18Gbps TMDS			
Video Resolution	Up to 8K@60Hz 4:2:0 12bit, 4K@120Hz 4:4:4 12bit			
Color Depth	8/10/12bit			
Color Space	RGB, YCbCr 4:4:4, YCbCr 4:2:2, YCbCr 4:2:0			
Audio Formats	HDMI Input/Output: LPCM, Dolby Digital/Plus/EX, Dolby True HD, Dolby Atmos, DTS, DTS-EX, DTS-96/24, DTS High Res, DTS-HD Master Audio, DSD			
HDR	HDR, HDR10, HDR10+, Dolby Vision, HLG			
ESD Protection	IEC 61000-4-2: ±8kV (Air-gap discharge), ±4kV (Contact discharge)			
Connection:				
Input ports	1 × HDMI IN [Type A, 19-pin female]			
Output ports	8 × HDMI OUT [Type A, 19-pin female]			
Control ports	1 × SERVICE [USB Type C, Update port]			
Mechanical:				
Housing	Metal Enclosure			
Color	Black			
Dimensions	250mm [W] × 104mm [D] × 30mm [H]			
Weight	743g			
Power Supply	12.2W (Max)			
Power Consumption	4.3W (Max)			
Operating Temperature	0°C ~ 40°C / 32°F ~ 104°F			
Storage Temperature	-20°C ~ 60°C / -4°F ~ 140°F			
Relative Humidity	20 - 90% RH (no-condensing)			
Recommended HDMI Cable				
Video Resolution	8K	4K60	4K24	1080P
HDMI Cable Type	Ultra HDMI 2.1 cable	HDMI v2.0 cable	HDMI v2.0 cable	HDMI v2.0 cable
HDMI Cable Length (HDMI IN / OUT)	3m/10ft	8m/26ft	12m/39ft	15m/49ft
The use of "ATZ Premium High Speed HDMI" cable is highly recommended				

Model : ATZ HDMI-V2.1-18B

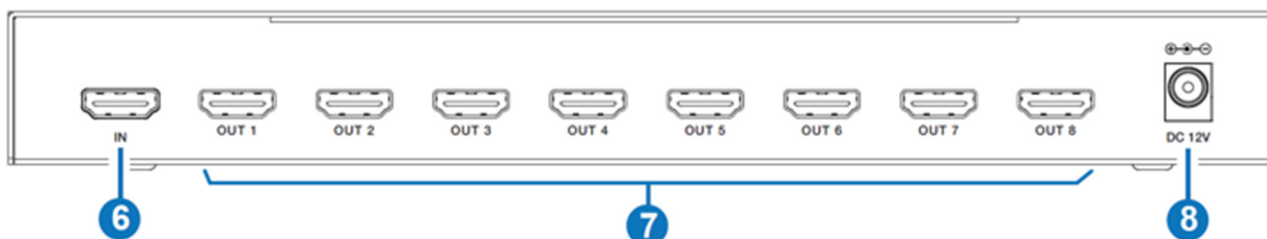
Description : 8 ports HDMI v2.1 8K@60 48Gbps Splitter w/Downscaler

Operation Controls and Functions:

Front Panel



Rear Panel



No.	Name	Function Description
1	Power LED	When the device is powered on, the red LED will be on.
2	IN LED	When the HDMI IN port connects to an active source device, the green LED will be on.
3	OUT LED (1~8)	When the HDMI OUT 1/2/3/4/5/6/7/8 port connects to a display device and outputs signal, the corresponding green LED will be on.
4	EDID DIP switch	Use the DIP switch to set EDID. [DIP]=111: Copy OUT 1 port sink EDID (as factory default) [DIP]=110: 4K60 (4:4:4), 2.0CH [DIP]=101: FRL12G_8K_HDR, 2.0CH [DIP]=100: FRL12G_8K_HDR, 5.1CH [DIP]=011: FRL12G_8K_HDR, 7.1CH [DIP]=010: FRL10G_8K_HDR, 2.0CH [DIP]=001: FRL10G_8K_HDR, 5.1CH [DIP]=000: FRL10G_8K_HDR, 7.1CH
5	SERVICE	Firmware update port.
6	IN port	HDMI signal input port, connected to HDMI source device such as DVD or PS5 with an HDMI cable.
7	OUT port (1~8)	HDMI signal output port, connected to HDMI display device such as TV or Monitor with an HDMI cable.
8	DC 12V	12V/2.5A power input port.

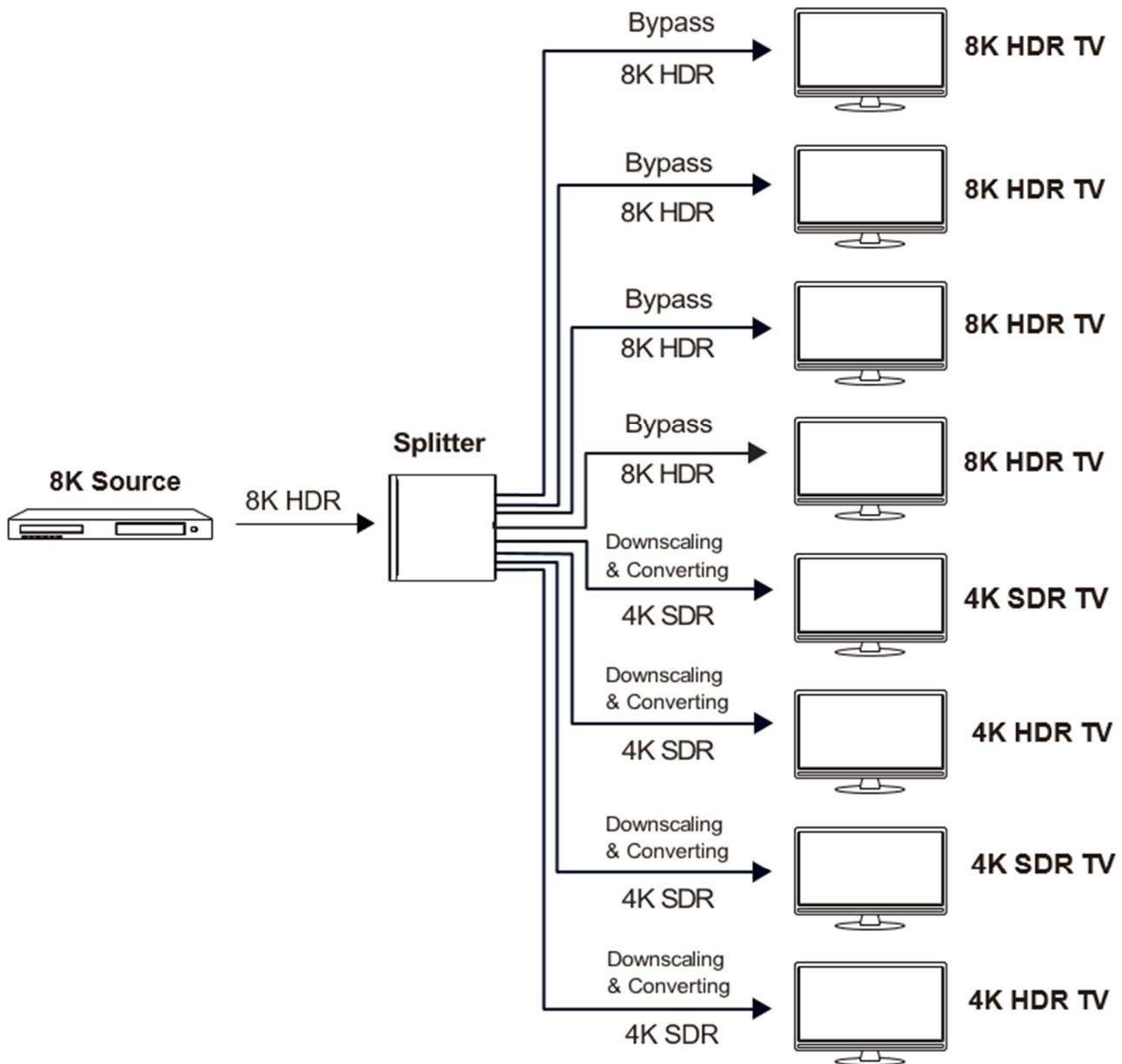
Model : ATZ HDMI-V2.1-18B

Description : 8 ports HDMI v2.1 8K@60 48Gbps Splitter w/Downscaler

Auto Downscaling & Auto Converting

This 48Gbps 1x8 Splitter supports auto downscaling and auto converting on all outputs. It will automatically output the proper HDMI signal according to the EDID of the display device.

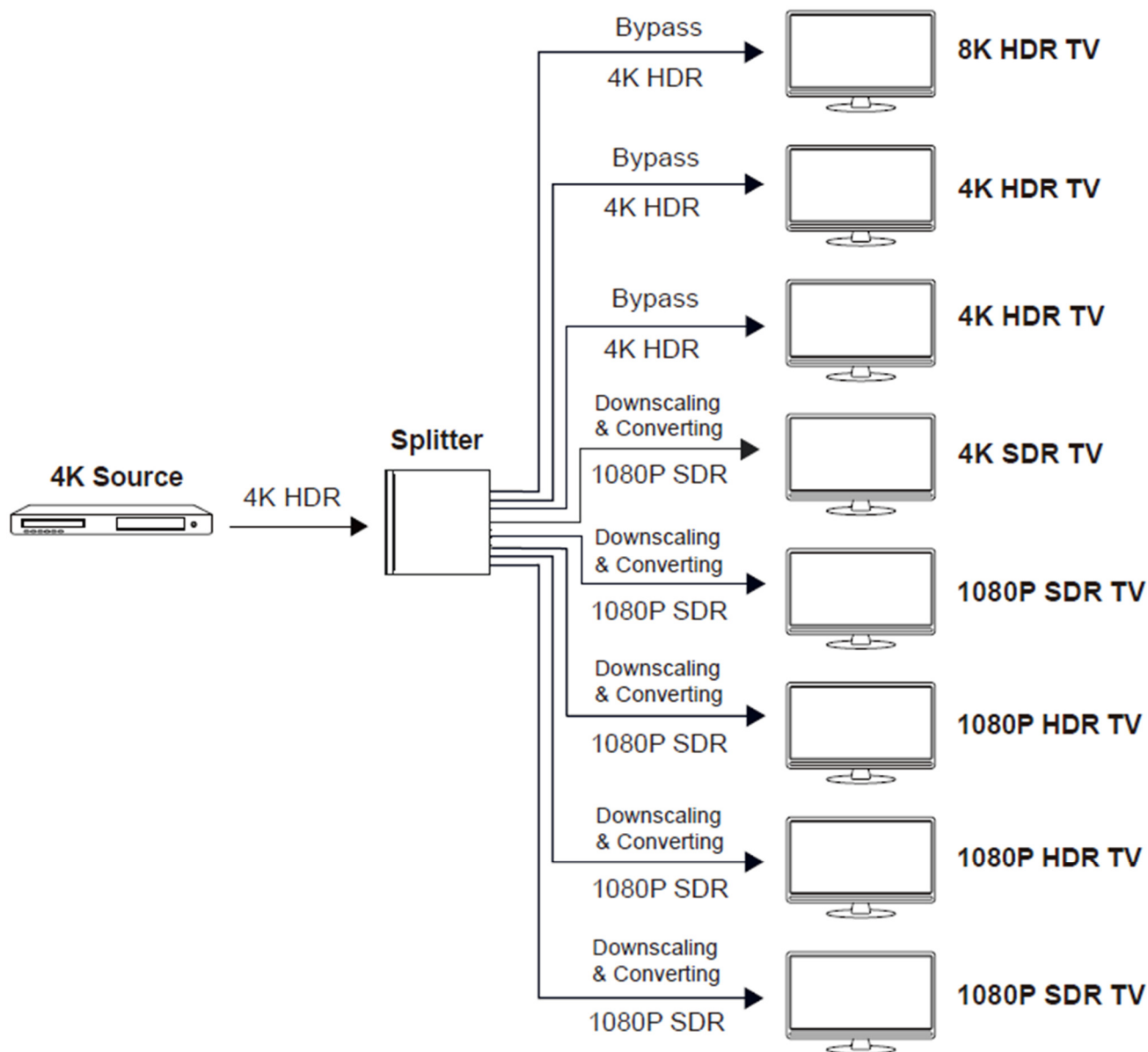
Before downscaling it will compare all the EDID of the connected display devices and select the minimum resolution to downscale and output. For example



In the example above, 4K is lower than the resolution of input source, so it will downscale and output according to the the minimum resolution of 4K SDR.

Model : ATZ HDMI-V2.1-18B

Description : 8 ports HDMI v2.1 8K@60 48Gbps Splitter w/Downscaler



In the example above, 1080P is lower than the resolution of input source, so it will downscale and output according to the the minimum resolution of 1080P SDR.

Note: If the source resolution is downscaled and converted to **1080P DVI** according to the EDID of display devices, it will be output without sound on TV.

Downscaling will not work in the following conditions:

1. The input source is 8K DSC format.
2. The resolution of input source is not supported by the splitter.

Model : ATZ HDMI-V2.1-18B

Description : 8 ports HDMI v2.1 8K@60 48Gbps Splitter w/Downscaler



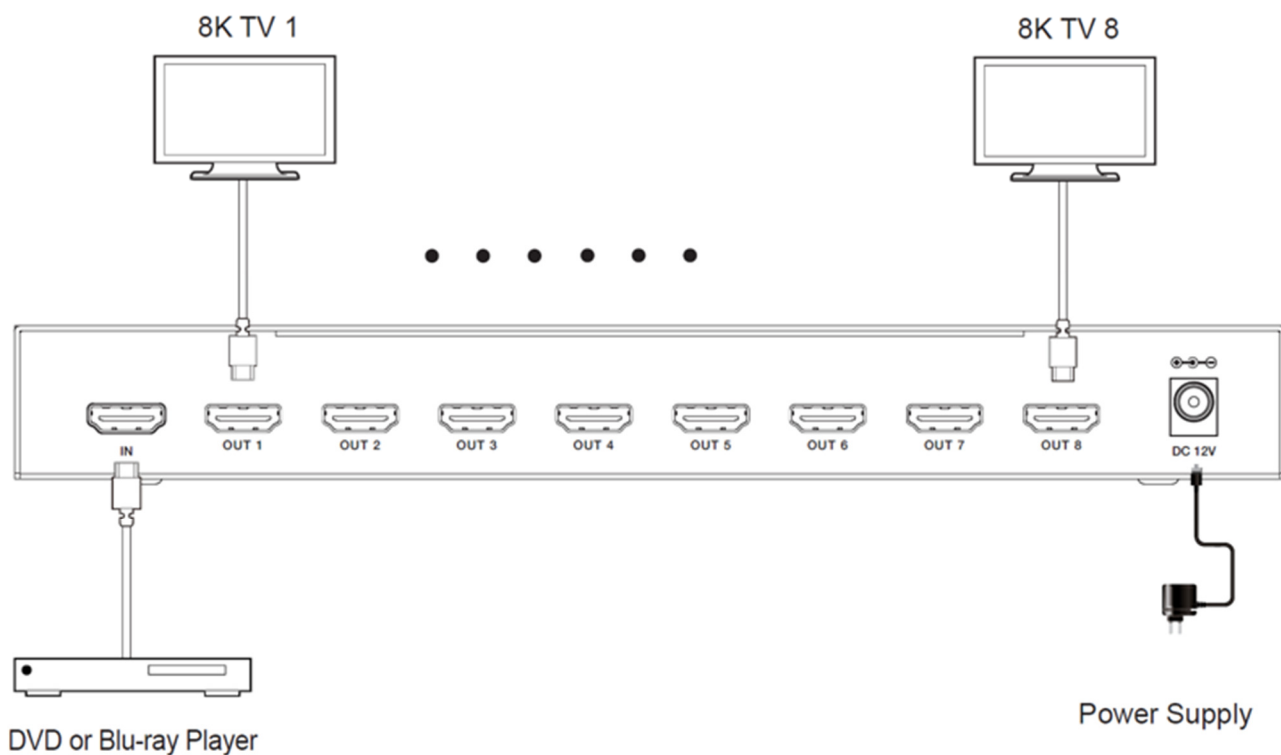
Product Pictures:



Model : ATZ HDMI-V2.1-18B

Description : 8 ports HDMI v2.1 8K@60 48Gbps Splitter w/Downscaler

Application Diagram:



Package Contents :

- 1 × 8 ports HDMI v2.1 8K@60 48Gbps Splitter w/Downscaler
- 1 × 12V/2.5A Multinational Locking Power Supply
- 2 × Mounting Ear
- 4 × Machine Screw (KM3*6)
- 1 × User Manual

Warranty: 2 Years

Warranty is effective from the date of original delivery.

This warranty shall be void if a serial number has been removed from the product.