

**Model** : ATZ ST3.5M-ST  
**Description:** 3.5mm Stereo Plug Solder Type-Black Tail



**Model** : ATZ ST3.5M-ST  
**Description:** 3.5mm Stereo Plug Solder Type-Black Tail

This is a single Pentagonal shape 1/8 stereo (3.5 mm TRS) mini jack plug used to transfer a stereo or balanced signal through an audio cable. Often used to terminate patch cables.

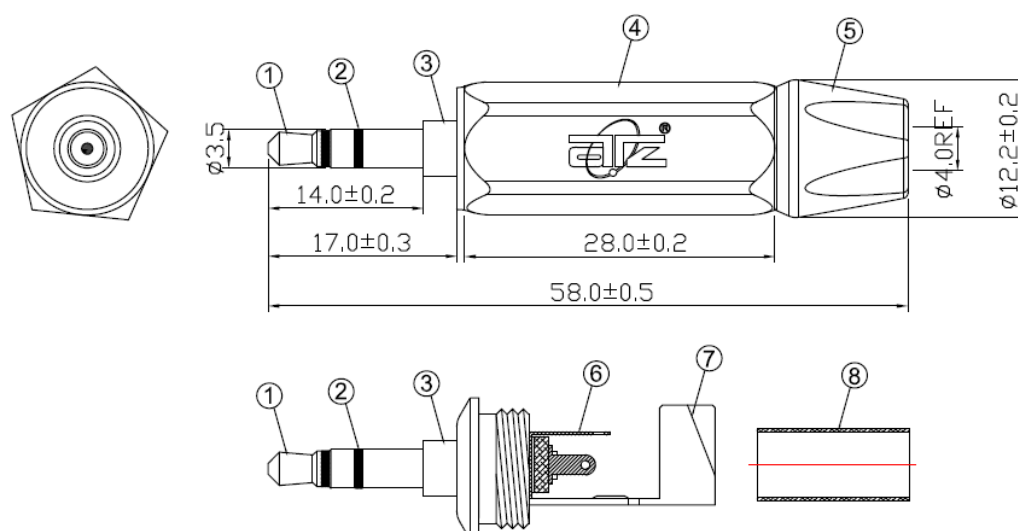
### Features:

- 3.5 mm stereo mini jack plug
- Pentagonal shape
- Metal strain relief provides higher pull-out force and makes assembly easier and faster
- Rugged zinc diecast shell, long life and dependable
- With PVC boot protection gives high protection to cable bending
- Chrome plated housing
- Gold plated

### Specifications:

- 1/8" stereo step-down mini Jack smartphone Plug Shell
- Die casted zinc alloy Shell plating
- Chrome plated Contact coating
- Gold plated Pole number
- 3 Type of contact
- Soldering Cable O.D –  $\varnothing 3\text{-}\varnothing 6$  mm
- Packaging - Plastic bag

### Product Drawing:



### Warranty: NA

Warranty is effective from the date of original delivery.

This warranty shall be void if a serial number has been removed from the product.