

Model : ADP1.4-HDMI2.1-ADPTR-20cm

Description : Active 8K@60 DisplayPort v1.4 to HDMI v2.1 Adapter with short cable (20cm)



This ATZ Active DisplayPort v1.4 to HDMI v2.1 adapter helps to extend or mirrored your laptop / computer or other devices with DisplayPort, DP, DP++, or DisplayPort++ to a monitor, projector, TV, VR headset with HDMI port for audio and video streaming or gaming.

It has the latest 8K HD chip implanted which can output max resolution up to 8K@30Hz, not only makes your vacation photos and favourite movies more interesting and enjoyable on a bigger screen, but also helps you enjoy lag-free videos and flawless audio pass-through.

Using this DP to HDMI 8K adapter, you can have two display modes, making your work, life, and study more convenient. In copy mode, your main screen and your external screen display the same content, which is mainly used for work or teaching; In extended mode, your main screen and external screen display different content, which is mainly used for entertainment.

This Active DisplayPort to HDMI converter is compatible with laptop (HP ProBook EliteBook, Lenovo ThinkPad), desktop tower (HP, Dell, Lenovo), graphics card (AMD, NVIDIA) and other devices with a DisplayPort. You also could connect to TV, projector, monitor, VR headset, etc. Compatible with HDMI-equipped TVs/Monitors/Projectors for both video and audio transfer.

Model : ADP1.4-HDMI2.1-ADPTR-20cm

Description : Active 8K@60 DisplayPort v1.4 to HDMI v2.1 Adapter with short cable (20cm)



Features:

- Active DisplayPort v1.4 to HDMI v2.1 8K HDMI Adapter
- Support Extended or Mirror Mode
- Support resolution up to Ultra HD 8K at 60Hz (7680 x 4320 at 60Hz), 4K at 120Hz (3840 x 2160 at 120Hz), 2K at 144Hz (2560x 1440 @ 144Hz)
- Support HD Dolby 7.1 and Dolby Atmos, VRR, FreeSync, Dynamic HDR, BT.2020, DSC1.2a, and 3D Surround audio
- Supports 3D video, static HDR (HDR static data), dynamic HDR (HDR dynamic data), quick media switching (QMS), automatic low latency mode (ALLM)
- Cable equip with triple shielding, gold-plated connectors and an aluminum housing that provides a longer service life and does not break
- Transfer first-class and stable video and sound signals without worrying about dropped frames, artifacts and distortions
- Plug and play, Ease of use
- Compact and Portable design

Specifications:

Connector A	DisplayPort v1.4 Male Port
Connector B	HMDI v2.1 Female Port
Adapter Type	Active
Total Bandwidth	48 Gbps
Resolution Support	Ultra HD 8K at 60Hz (7680 x 4320 at 60Hz), 4K at 120Hz (3840 x 2160 at 120Hz), 2K at 144Hz (2560x 1440 @ 144Hz)
Audio Support	HD Dolby 7.1 and Dolby Atmos, VRR, FreeSync, Dynamic HDR, BT.2020, DSC1.2a, and 3D Surround audio
Image Support	3D video, static HDR (HDR static data), dynamic HDR (HDR dynamic data), quick media switching (QMS), automatic low latency mode (ALLM)
Connector	Gold Plated
Conductor	Bare Copper
Outer Diameter	6.0mm
Housing Type	Aluminum Alloy
Jacket	PVC

Model : ADP1.4-HDMI2.1-ADPTR-20cm

Description : Active 8K@60 DisplayPort v1.4 to HDMI v2.1 Adapter with short cable (20cm)

Note:

1. This is not Bi-directional Cable, it can only works from Displayport PC to your HDMI displays, it can not work from HDMI PCs to Display Port Displays
2. This DP to HDMI adapter is not compatible with PS5, PS4 or Xbox
3. Whether the final video output resolution can reach 8K will depend on the highest resolution supported by the device you are using
4. The functionality of the product is also controlled by the graphics card driver, and some versions of the driver can cause differences in features such as HDR, VSR and Dolby



Model : ADP1.4-HDMI2.1-ADPTR-20cm

Description : Active 8K@60 DisplayPort v1.4 to HDMI v2.1 Adapter with short cable (20cm)

Product Picture:



Model : ADP1.4-HDMI2.1-ADPTR-20cm

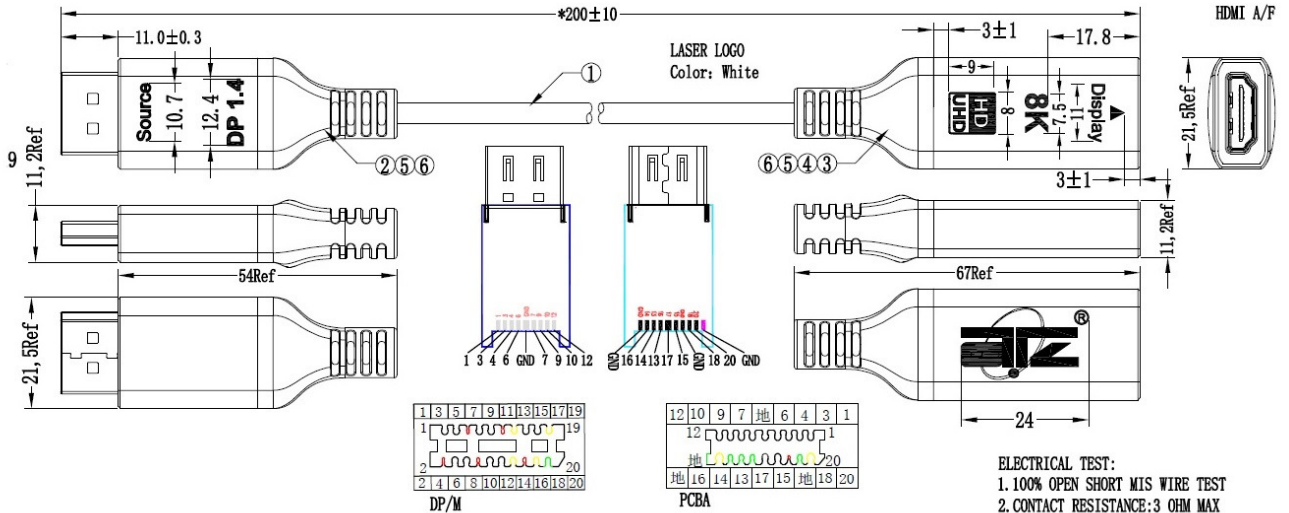
Description : Active 8K@60 DisplayPort v1.4 to HDMI v2.1 Adapter with short cable (20cm)



Model : ADP1.4-HDMI2.1-ADPTR-20cm

Description : Active 8K@60 DisplayPort v1.4 to HDMI v2.1 Adapter with short cable (20cm)

Cable Diagram:



- ELECTRICAL TEST:**
- 100% OPEN SHORT MIS WIRE TEST
 - CONTACT RESISTANCE: 3 OHM MAX
 - INSULATION RESISTANCE: 5M OHM MIN
 - HI-POT TEST: DC 300V/10ms
 - Source UXGA: 7680 X 4320P
 - Refresh rate: 60Hz

CUSTOMER ITEM	Length(mm)
ADP1.4-HDMI2.1-ADPTR-20cm	200±5mm

6	Molded	PVC BLACK, 45P	G
5	Molded	Inner molded, PE COLOR RANSPARENT	G
4	PCBA	PCBA:DP M TO HDMI A/F VMM7100 PIN G/F	1
3	Plug	HDMI/F:Aluminum shell, L40*W21.5*H11.2mm, Pin G/F	1
2	Plug	DP/M:Aluminum shell, L27*W21.5*H11.2mm, Pin G/F	1
1	Cable	UL20276 #30*5P+#26*1C+#30*4C+AEB Black PVC OD:6.0mm	1
No.	SPECICATION		UNIT
ATZ	Tol.	Inch mm	unit mm
	X.	.02 0.5	Angle ±°
	X.X	.12 0.3	
	X.XX	.008 0.2	
	X.XXX	.005 0.15	
ADP1.4-HDMI2.1-ADPTR-20cm			Date 2024/11/27
			Revision A0

Model : ADP1.4-HDMI2.1-ADPTR-20cm

Description : Active 8K@60 DisplayPort v1.4 to HDMI v2.1 Adapter with short cable (20cm)

Application Diagram:



Package Contents :

1 x ATZ Active 8K@60 DisplayPort v1.4 to HDMI v2.1 Adapter with short cable (20cm)

Warranty: 1 Year

Warranty is effective from the date of original delivery.

This warranty shall be void if a serial number has been removed from the product.