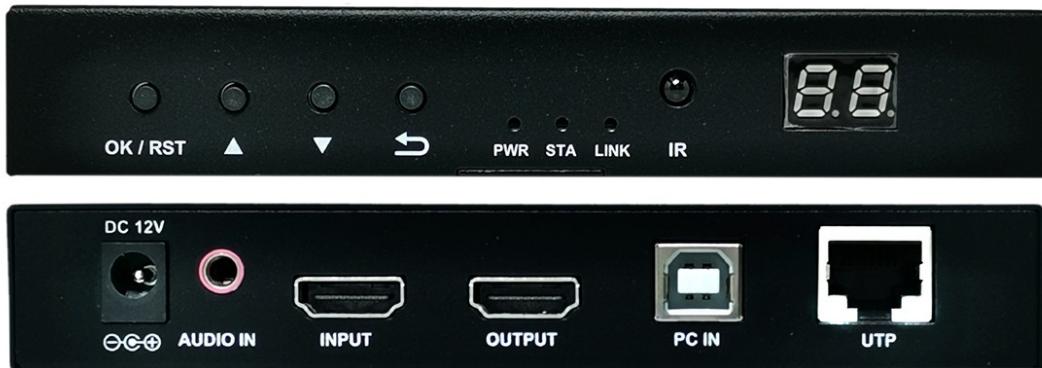


Model : ATZ HDMI-EM150+USB-TX_RX

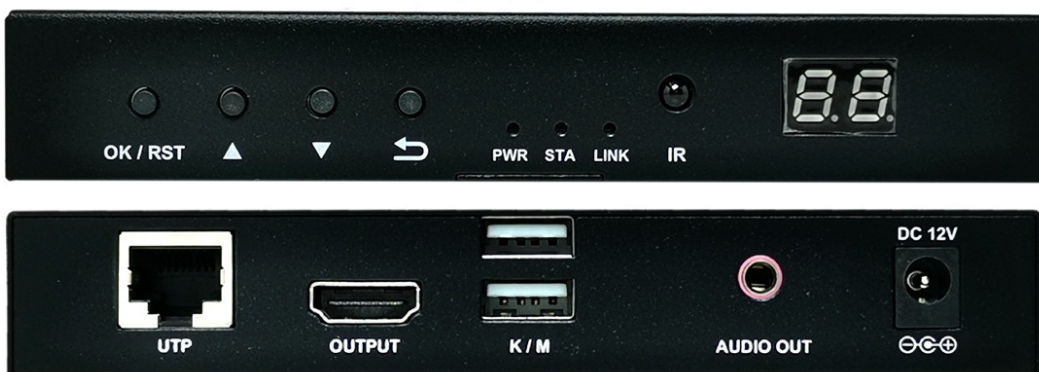
Description : 150M 1080p HDMI KVM Extender over IP Multicasting,
USB+RS232+Audio+IR (Transmitter_Receiver)



TX



RX



Model : ATZ HDMI-EM150+USB-TX_RX

Description : 150M 1080p HDMI KVM Extender over IP Multicasting,
USB+RS232+Audio+IR (Transmitter_Receiver)



This IP Extender is used to extend the transmission of HDMI audio and video signals, it transmits HDMI audio and video signals to the user end up to 150M via single Cat5e/6 network cable. The device supports TCP/IP network protocol, multi-point to multi-point over Ethernet switch , long-distance and individual audio transmission, keyboard and mouse signal pass back, remote control the monitor on display. built-in EDID improves device compatibility greatly, long-distance transmission , easy installation, good compatibility, low cost.

It widely be used for HD conference meeting/Film&TV Production/Teaching room/Digital advertising,etc.

Note:

For one to many connection, the max RX is 253pcs.

For many to many connection, the max TX is 64pcs | max RX is 190pcs.

Features:

- Transmission distance up to 150m over CAT6/7 cable.
- With HDMI loop out for local monitor.
- Video resolution up to 1920*1080@60Hz.
- Support One to Many distribution and Many to Many Switch over Ethernet Switch;
- Support TCP/IP Ethernet communication, real-time Video/Audio Transmission over IP.
- Support ordinary Ethernet switch 100M or 1000M .
- With LED screen to show Group ID;
- Support individual audio transmission.
- Support KVM function- keyboard and mouse transmission.
- TCP/IP Ethernet communication. Real-Time Video/Audio Transmission over IP.
- Support ordinary Ethernet switch 100M or 1000M .
- TCP/IP Ethernet communication. Real-Time Video/Audio Transmission over IP
- Support ordinary Ethernet switch 100M or 1000M .
- High compatibility, can auto-match signal source and display device
- Built-in automatic adjustment system, make the images smooth, clear and stable.
- Built-in ESD protection system; Simple to install, plug and play

Specifications:

	Parameter	Description
Video	Standards	HDMI 1.3; HDCP 1.2
	Maximum pixel clock	165MHz,digital
	Maximum data rate	6.75Gbps
	Resolution	Max: 1920X1080@60Hz
	Connector	HDMI-A
	Impedance	100Ω
	HDMI cable length	<5M,1920X1080@60Hz
Audio	Interface	3.5mm earphone seat

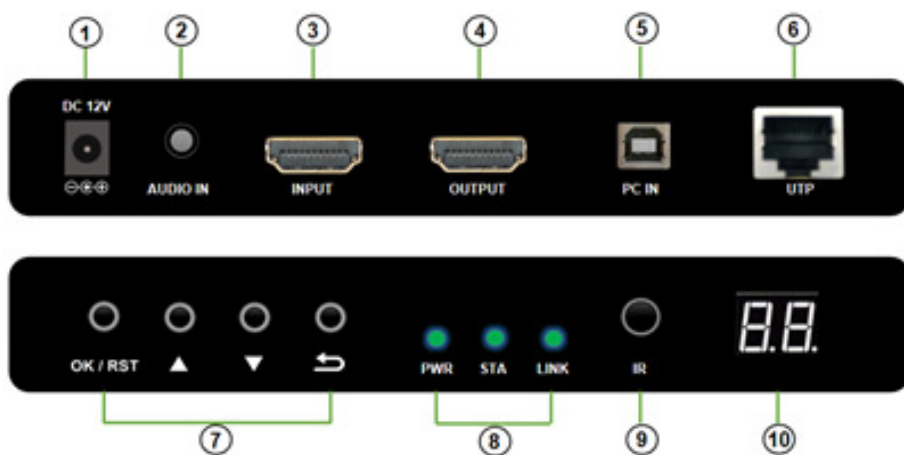
Model : ATZ HDMI-EM150+USB-TX_RX

Description : 150M 1080p HDMI KVM Extender over IP Multicasting, USB+RS232+Audio+IR (Transmitter_Receiver)

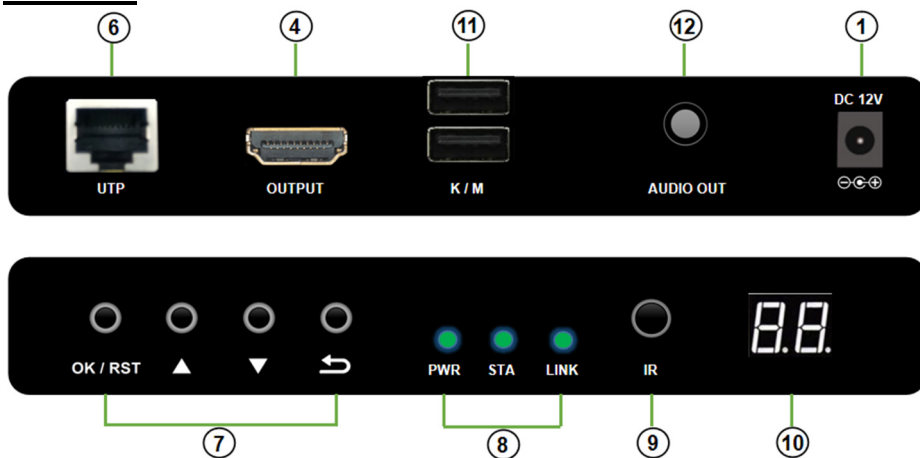
	format	44.1K,48K,96K,176K,192K
	Type of signal	stereos
USB	KVM interface	USB-A / USB-B
	USB interface protocol	USB HID
RJ45	Cable interface	RJ45(568B)
	max transmission distance	Cat6 150m/Cat5e 100m
Other	Power supply	The power adapter: DC 12V
	Power dissipation	MAX 8W
	Temperature	Operating: -5°C ~ +70°C
	Humidity	Operating: 5% ~ 90%

Panel Description

Transmitter

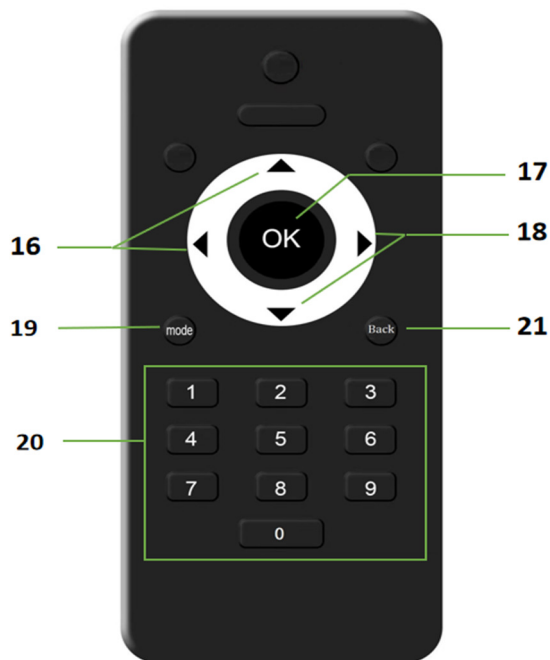


Receiver



Model : ATZ HDMI-EM150+USB-TX_RX

Description : 150M 1080p HDMI KVM Extender over IP Multicasting,
USB+RS232+Audio+IR (Transmitter_Receiver)



Function Discription	
1. DC 12V Power Input	12. Audio Output
2. Audio Input	13. /
3. HDMI Input	14. /
4. HDMI Output	15. /
5. PC USB Input	16. Press the key to control the number to scroll up
6. 568B Cable interface	17. confirm key
7. Function Panel: "OK/RST"confirm key/Long-press 10s reset key; "▲" key controls number scrolling; "▼"controls the number scrolling; "↶"return the current status	18. Press the key to control the number to scroll down
8. Infrared connector	19. Combine digital keys(For example: remote control to the "12" group, the remote control operation "mode + 1 + 2 + OK")
9. LED display monitor (display group number)	20.
10. Keyboard and mouse access	21. Back Key

Installation

1. Connect HDMI signal source (set-top boxes, Blu ray DVD, Computers, etc.) to HDMI Sender;
2. Connect HDMI Receiver to display device (HDTV, a tiled screen, etc.);
3. Use the network cable (recommend cat6/cat7 cable) connect the sender with receiver ;
4. Connect sender and Receiver with Power adapter.
5. Set the HDMI Sender and the HDMI Receiver to the same packet number , then press OK key ,when the lamp lights start flickering, the devices are working normally.

Model : ATZ HDMI-EM150+USB-TX_RX

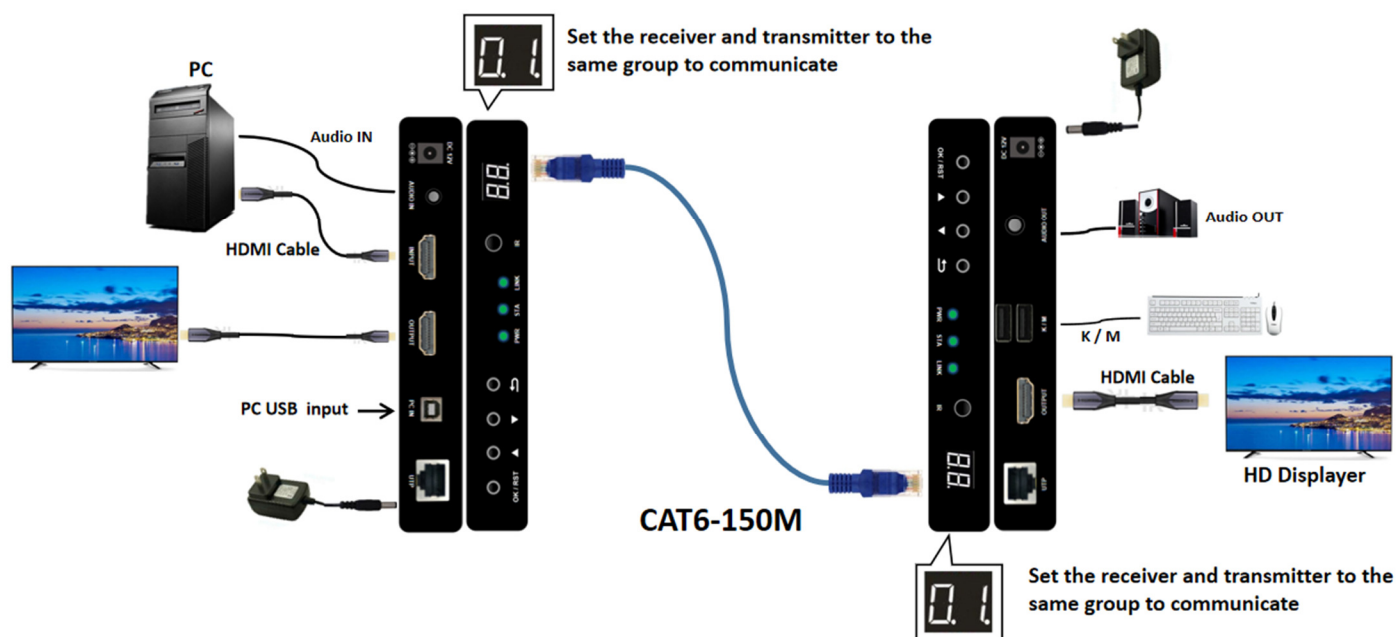
Description : 150M 1080p HDMI KVM Extender over IP Multicasting,
USB+RS232+Audio+IR (Transmitter_Receiver)

Package Includes:

- 1x Transmitter
- 1x Receiver
- 1x USB-B cable
- 1x IR remote controller
- 2x Power adapter
- 4x Mounting ears
- 1x User manual

Product Diagram:

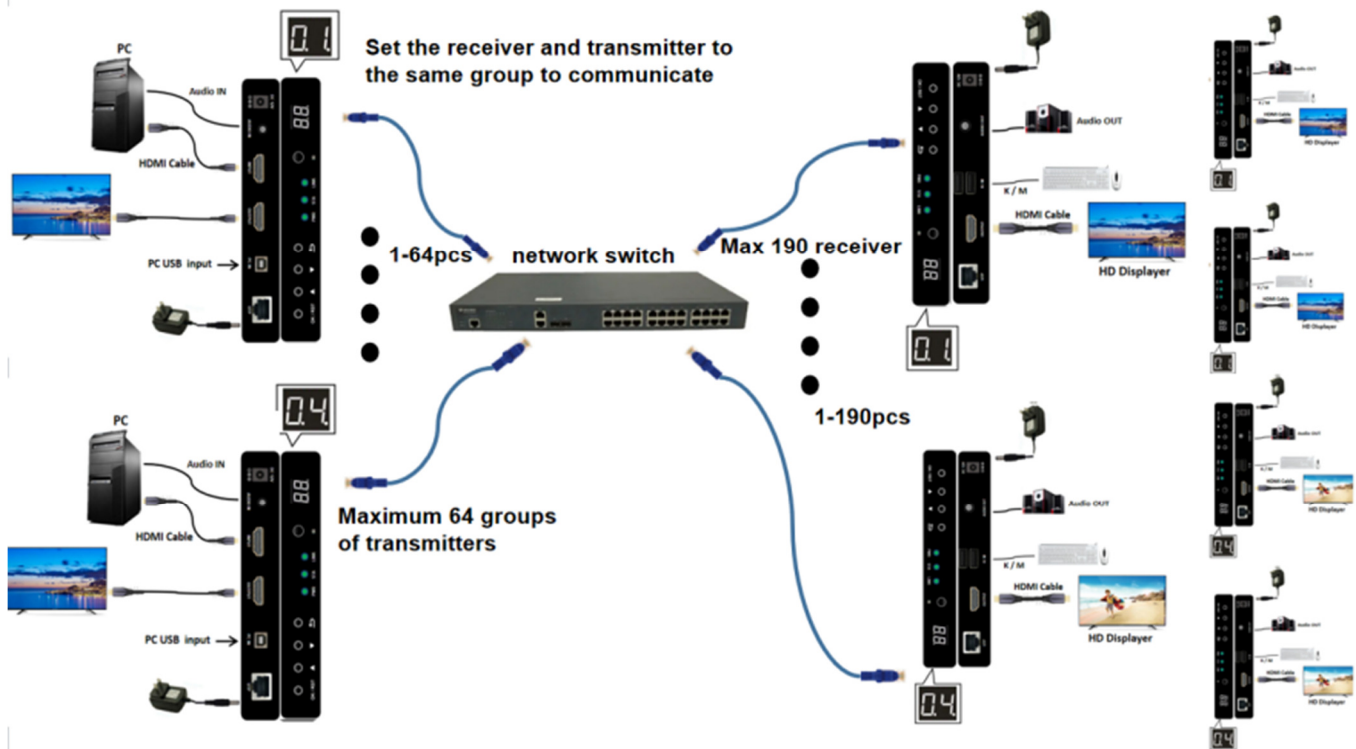
One-to-Many



Model : ATZ HDMI-EM150+USB-TX_RX

Description : 150M 1080p HDMI KVM Extender over IP Multicasting, USB+RS232+Audio+IR (Transmitter_Receiver)

Many-to-Many



Warranty: 2 years

Warranty is effective from the date of original delivery.

This warranty shall be void if a serial number has been removed from the product.

HDMI[™]

HIGH DEFINITION MULTIMEDIA INTERFACE

The terms HDMI and HDMI High-Definition Multimedia interface, and the HDMI logo are trademarks or registered trademarks of HDMI Licensing LLC in the United States and other countries