

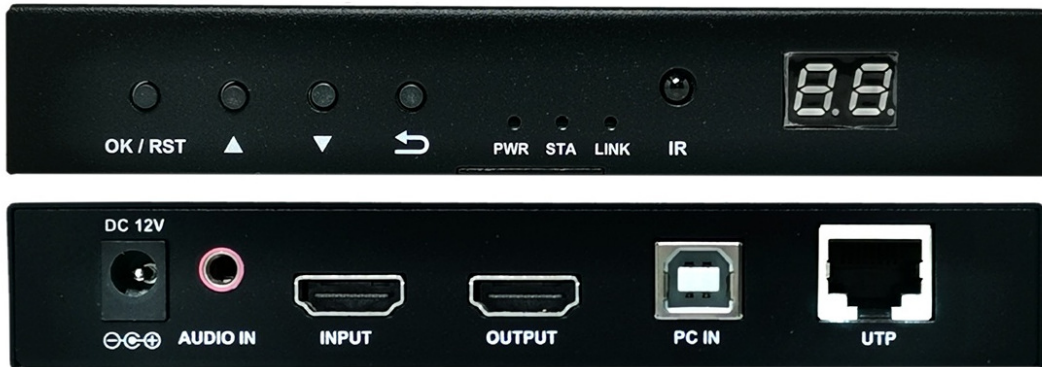
Model : ATZ HDMI-EM150+USB-XX
XX = Transmitter / Receiver Module: TX / RX



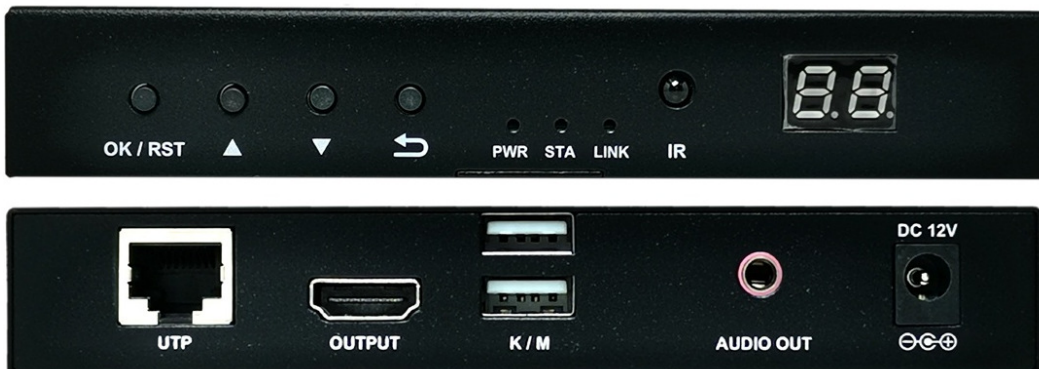
Description : 150m 1080p HDMI KVM Extender over IP Multicasting, USB + RS232 + Audio + IR (Transmitter Module / Receiver Module)



TX



RX



Model : ATZ HDMI-EM150+USB-XX
XX = Transmitter / Receiver Module: TX / RX



Description : 150m 1080p HDMI KVM Extender over IP Multicasting, USB + RS232 + Audio + IR (Transmitter Module / Receiver Module)

This IP Extender is used to extend the transmission of HDMI audio and video signals, it transmits HDMI audio and 1080p video signals to the user end up to 150m via single Cat 5e / 6 / 7 network cable.

Ideal to one to one, one to many, many to one or many to many application and display setup.

The device supports KVM mode, TCP/IP network protocol, multi-point to multi-point over Ethernet switch, long-distance and individual audio transmission, keyboard and mouse signal pass back, remote control the monitor on display. built-in EDID improves device compatibility greatly, long-distance transmission, easy installation, good compatibility, low cost.

It widely be used for HD conference meeting / Film & TV Production / Teaching room / Digital advertising, surveillance etc.

Features:

- Transmission distance up to 150m over Cat 5e / 6 / 7 cable
- With HDMI loop out for local monitor
- Video resolution up to 1920 x 1080@60Hz
- Support One to Many distribution and Many to Many Switch over Ethernet Switch
- Support TCP/IP Ethernet communication, real-time Video / Audio Transmission over IP
- Support ordinary Ethernet switch 100m or 1000m
- With LED screen to show Group ID
- Support individual audio transmission
- Support KVM function - keyboard and mouse transmission
- High compatibility, can auto-match signal source and display device
- Built-in automatic adjustment system, make the images smooth, clear and stable
- Built-in ESD protection system
- No additional software needed
- Simple to install, plug and play

Model : ATZ HDMI-EM150+USB-XX
XX = Transmitter / Receiver Module: TX / RX



Description : 150m 1080p HDMI KVM Extender over IP Multicasting, USB + RS232 + Audio + IR (Transmitter Module / Receiver Module)

Specifications:

Parameter		Description
Video	Standards	HDMI 1.3; HDCP 1.2
	Maximum Pixel Clock	165mHz, digital
	Maximum Data Rate	6.75Gbps
	Resolution	Max: 1920 x 1080@60Hz
	Connector	HDMI-A
	Impedance	100Ω
	HDMI Cable Length	< 5m,1920 x 1080@60Hz
Audio	Interface	3.5mm earphone set
	Format	44.1K, 48K, 96K, 176K, 192K
	Type of Signal	Stereos
USB	KVM Interface	USB A / USB B
	USB Interface Protocol	USB HID
RJ45	Cable Interface	RJ45(568B)
	Max Transmission Distance	Cat 6 150m / Cat 5e 100m
Other	Power Supply	The power adapter: DC 12v
	Power Dissipation	Max: 8w
	Temperature	Operating: -5°C - +70°C
	Humidity	Operating: 5% - 90%

Note:

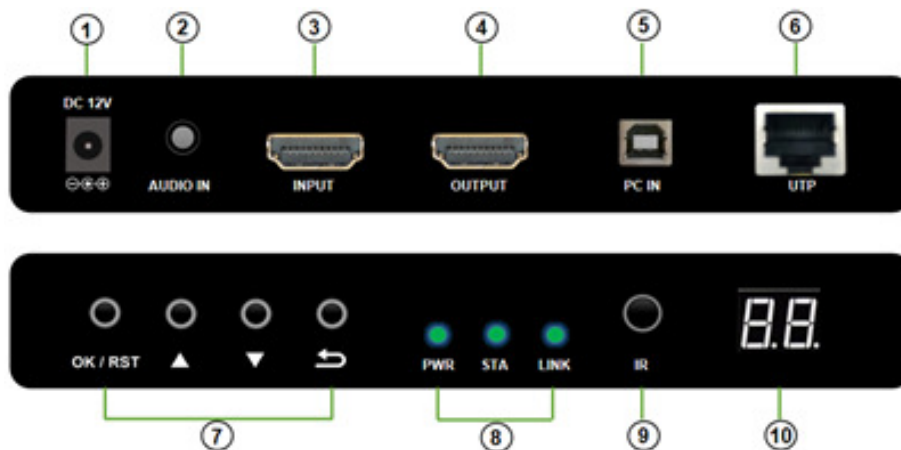
1. For one to many connection, the max RX is 253 pcs
2. For many to many connection, the max TX is 64 pcs | max RX is 190 pcs
3. Set each group of TX and RX to the same number
4. Each TX LCD number must be different

Model : ATZ HDMI-EM150+USB-XX
 XX = Transmitter / Receiver Module: TX / RX

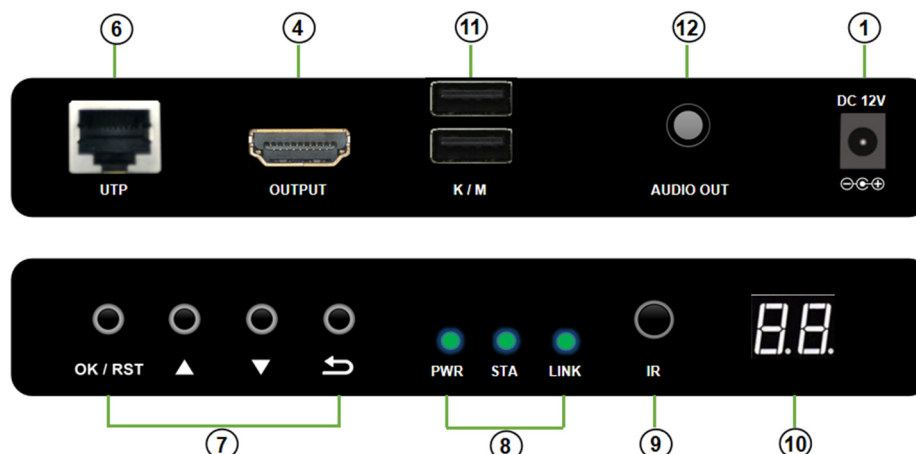
Description : 150m 1080p HDMI KVM Extender over IP Multicasting, USB + RS232 + Audio + IR (Transmitter Module / Receiver Module)

Operation Controls and Functions:

Transmitter



Receiver



Function Description

1. DC 12V Power Input

2. Audio Input

3. HDMI Input

4. HDMI Loopout / Output

5. PC USB Input

6. RJ45 (568B) Cable interface

7. Function Panel: "OK/RST" confirm key/Long-press 10s reset key; "▲" key controls number scrolling; "▼" controls the number scrolling; "↶" return the current status

8. Status Indicator

9. Infrared Connector

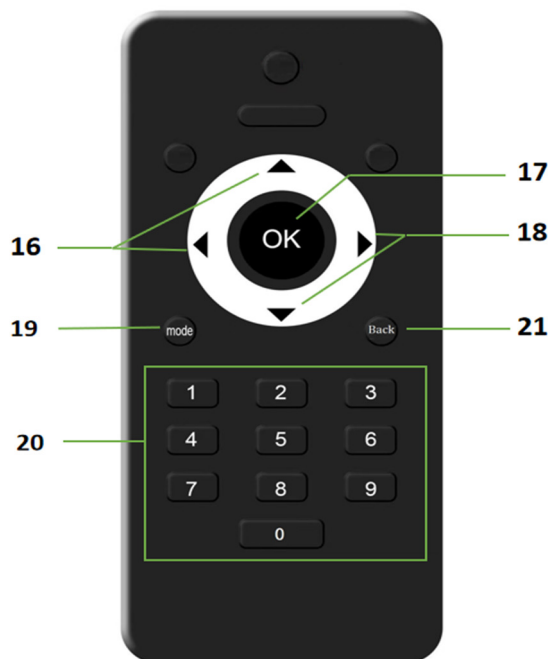
10. LED Display Monitor (Display group number)

11. Keyboard and mouse access

12. Audio Out

Model : ATZ HDMI-EM150+USB-XX
XX = Transmitter / Receiver Module: TX / RX

Description : 150m 1080p HDMI KVM Extender over IP Multicasting, USB + RS232 + Audio + IR (Transmitter Module / Receiver Module)



Function Discription

16. Press the key to control the number to scroll left and up

17. "OK" Confirm key

18. Press the key to control the number to scroll right and down

19. Combine digital keys (For example: remote control to the "12" group, the remote control operation "mode + 1 + 2 + OK")

20. Number Pad (for Group ID setting)

21. Back Key

Installation

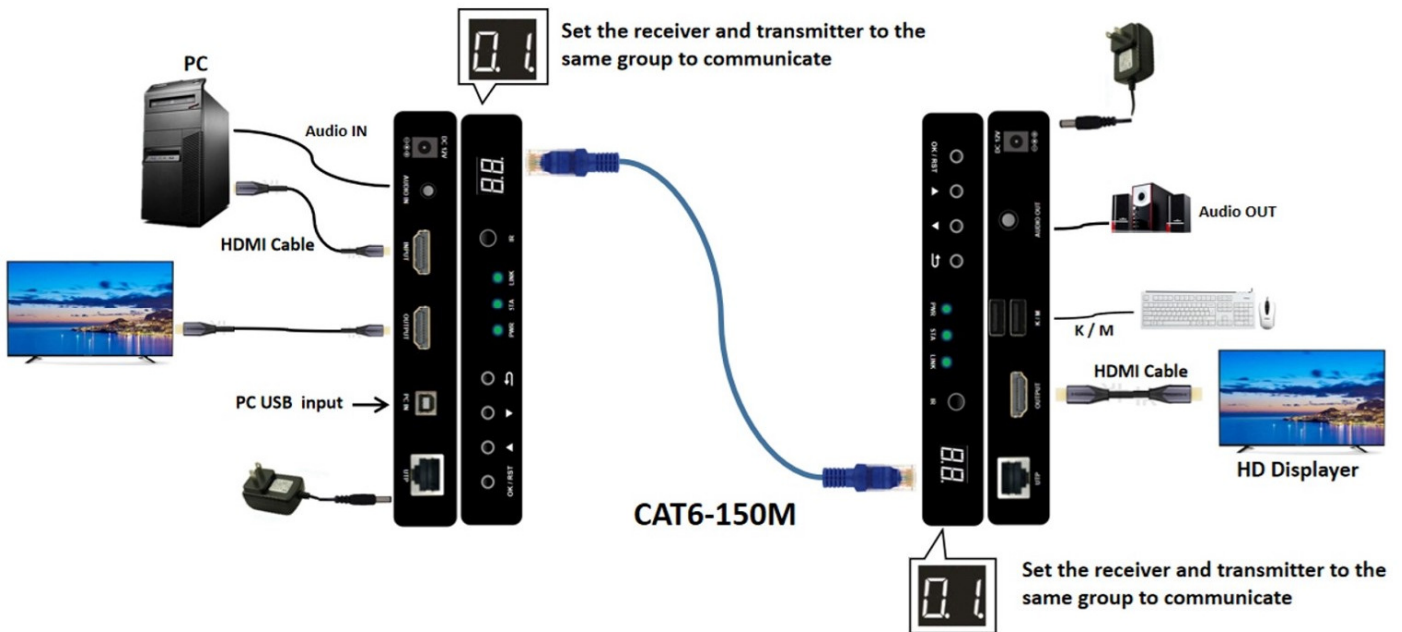
1. Connect HDMI signal source (set-top boxes, Blu ray DVD, Computers, etc.) to HDMI Sender
2. Connect HDMI Receiver to display device (HDTV, a tiled screen, etc.)
3. Use the network cable (recommend Cat 6 / Cat 7 cable) connect the sender with receiver
4. Connect sender and Receiver with Power adapter
5. Set the HDMI Sender and the HDMI Receiver to the same packet number, then press OK key, when the lamp lights start flickering, the devices are working normally

Model : ATZ HDMI-EM150+USB-XX
 XX = Transmitter / Receiver Module: TX / RX

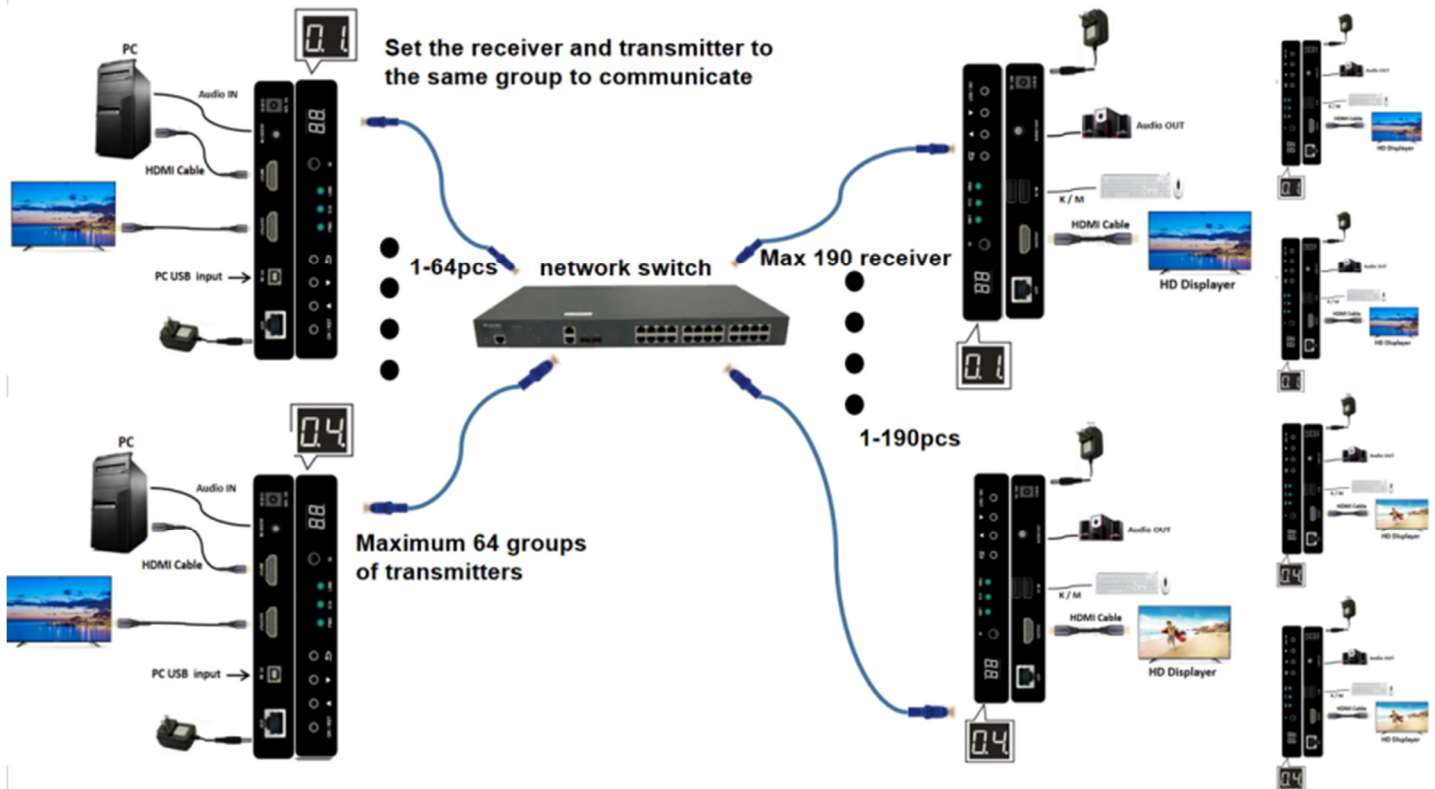
Description : 150m 1080p HDMI KVM Extender over IP Multicasting, USB + RS232 + Audio + IR (Transmitter Module / Receiver Module)

Application Diagram:

One-to-One



One to Many / Many-to-Many



Model : ATZ HDMI-EM150+USB-XX
XX = Transmitter / Receiver Module: TX / RX

Description : 150m 1080p HDMI KVM Extender over IP Multicasting, USB + RS232 + Audio + IR (Transmitter Module / Receiver Module)

Application Scenario



Teaching



Splicing screen



Projection fusion



Outdoor advertising



Data center



Video conferencing

Model : ATZ HDMI-EM150+USB-XX
XX = Transmitter / Receiver Module: TX / RX



Description : 150m 1080p HDMI KVM Extender over IP Multicasting, USB + RS232 + Audio + IR (Transmitter Module / Receiver Module)

Package Includes:

Transmitter Module Set	Receiver Module Set
1 x HDMI Transmitter 1 x Power Adapter 2 x Mounting Ears	1 x HDMI Receiver 1 x Power Adapter 1 x IR Remote Receiver 1 x Remote Controller 2 x Mounting Ears

Warranty: 2 years

Warranty is effective from the date of original delivery.

This warranty shall be void if a serial number has been removed from the product.



The terms HDMI and HDMI High-Definition Multimedia interface, and the HDMI logo are trademarks or registered trademarks of HDMI Licensing LLC in the United States and other countries